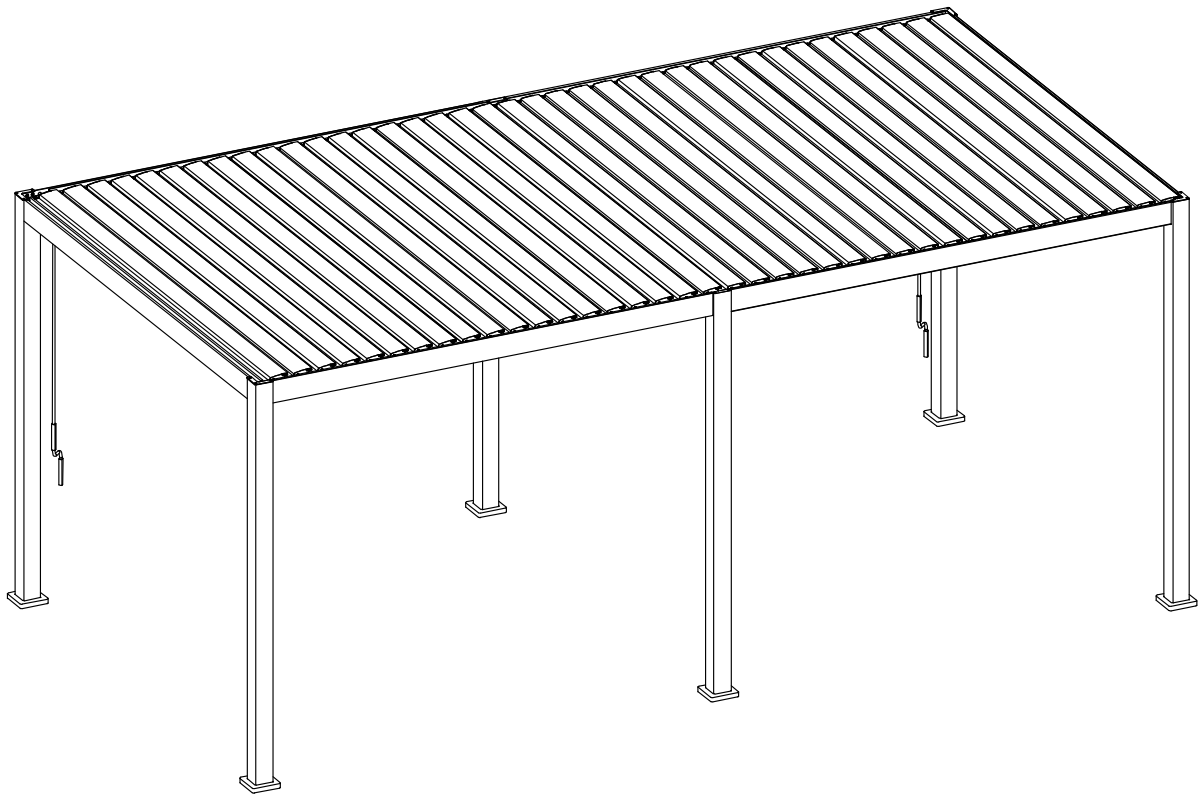


MIRADOR™ 3x6m

User Manual



Installation Video



After-Sale Service Hotline: (+31)(0)40 780 4397

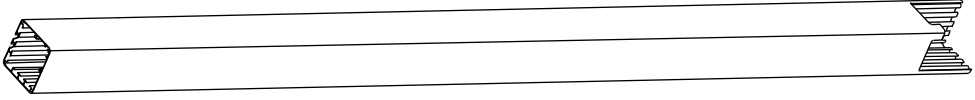

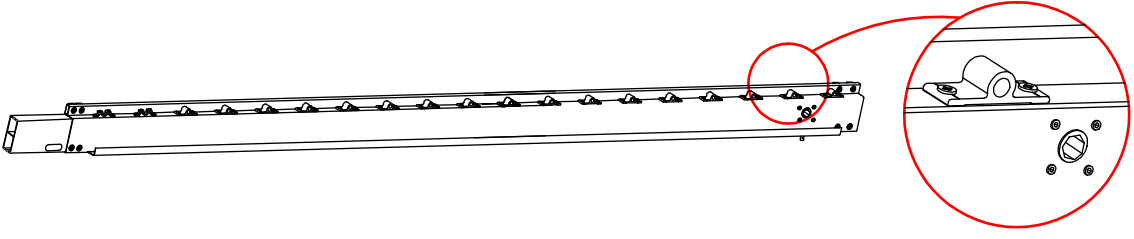
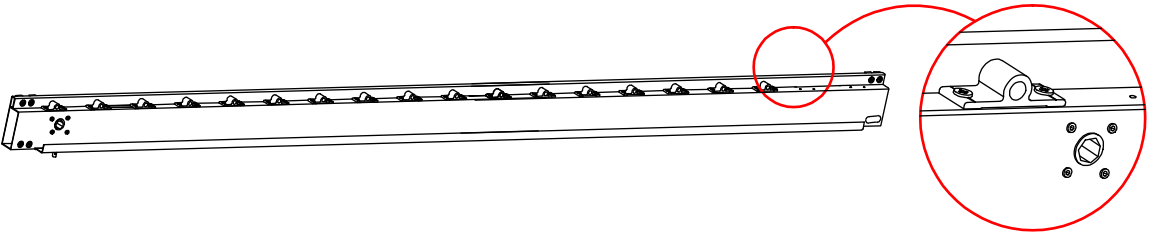
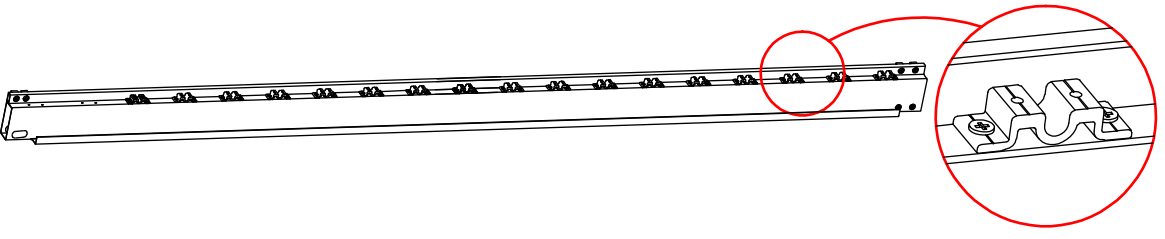
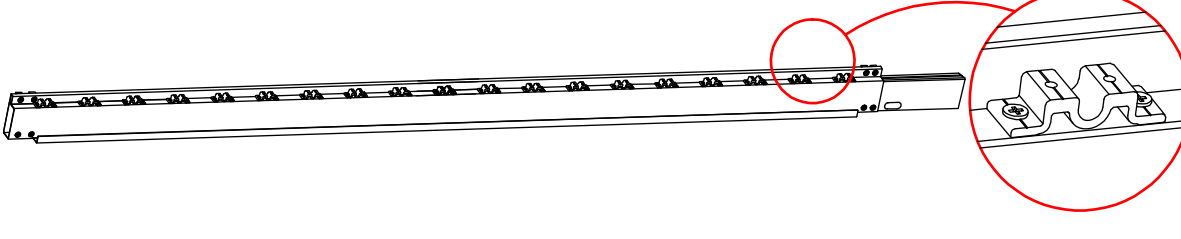
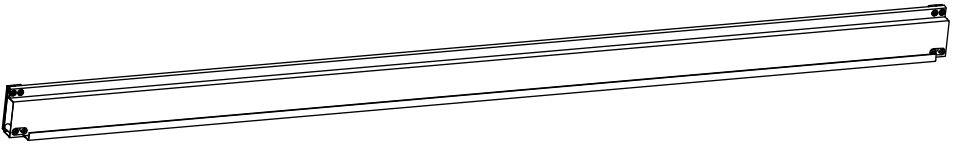
Address

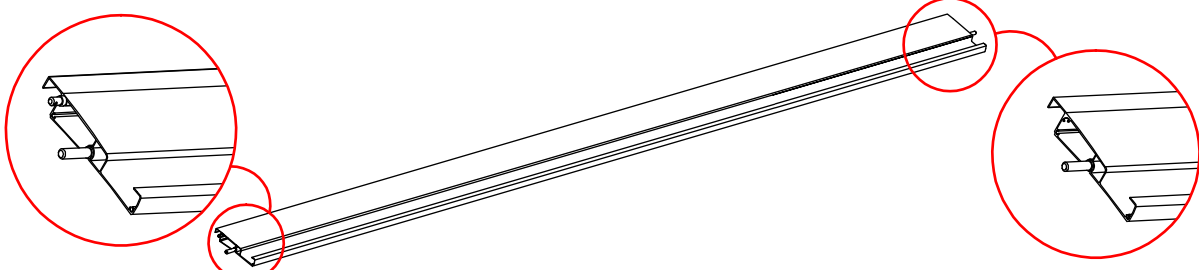
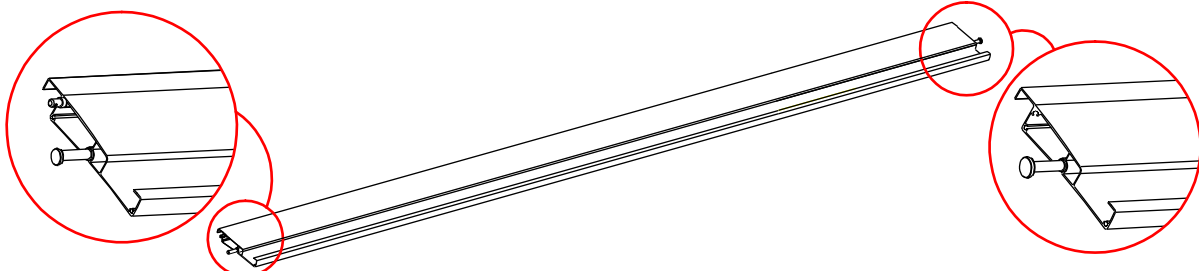
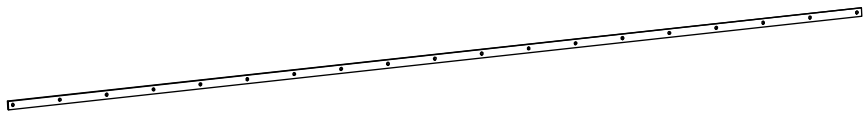

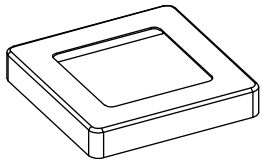
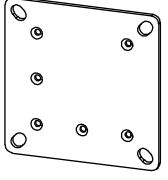
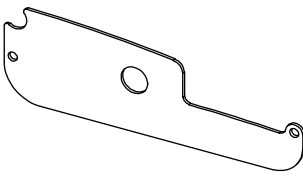
Park 51, Nuenen, The Netherlands

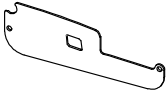

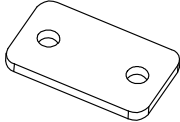
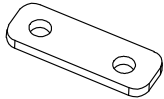
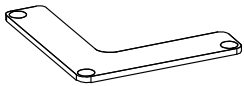

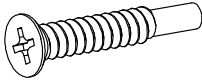
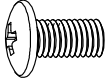


Postal code: 5671 GC

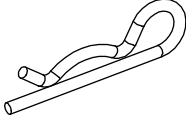

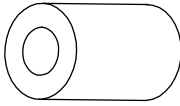

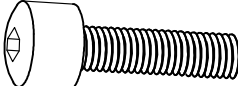
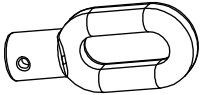
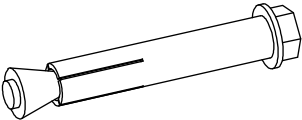

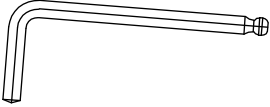

E-mail address: info@sorara.eu

	REF	QTY	REF	QTY	REF	QTY
Carton 1/5	(A)	4PCS	(A1)	2PCS		
Carton 2/5	(B)	1PC	(B1)	1PC	(B2)	1PC
	(B3)	1PC	(C)	2PCS	(G)	2PCS
	(H)	2PCS	(I)	6PCS	(J)	6PCS
	(K)	66PCS	(K1)	8PCS	(L)	2PCS
	(M)	34PCS	(M1)	8PCS	(N)	4PCS
	(N1)	2PCS	(O)	36PCS	(P)	86PCS
	(Q)	156PCS	(R)	24PCS	(S)	40PCS
	(T)	2PCS	(T1)	4PCS	(U)	2PCS
	(U1)	4PCS	(V)	2PCS	(W)	24PCS
	(X)	1PC	(Y)	2PCS	(Z)	4PCS
		User Manual	1SET			
Carton 3/5	(D)	13PCS				
Carton 4/5	(D)	13PCS				
Carton 5/5	(D)	8PCS	(E)	4PCS		

REF	PICTURE	QTY
A		4PCS
A1		2PCS
B		1PC
B1		1PC
B2		1PC
B3		1PC
C		2PCS

REF	PICTURE	QTY
D		34PCS
E		4PCS
G		2PCS
H		2PCS
I		6PCS
J		6PCS
K		66PCS

REF	PICTURE	QTY
(K1)		8PCS
(L)		2PCS
(M)		34PCS
(M1)		8PCS
(N)		4PCS
(N1)		2PCS
(O)		36PCS
(P)	 M5x10mm	86PCS
(Q)	 4.2x18mm	156PCS
(R)	 5.5x19mm	24PCS

REF	PICTURE	QTY
(S)		40PCS
(T)		2PCS
(T1)		4PCS
(U)	 M6x45mm	2PCS
(U1)	 M8x45mm	4PCS
(V)		2PCS
(W)		24PCS
(X)		1PC
(Y)		2PCS
(Z)		4PCS

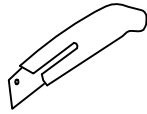
Warning

In snow season or in case of snow forecast open up your shutters in vertical position to avoid any damaging on your pergola.

What you need?



glove



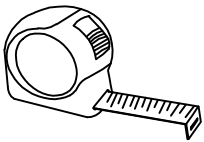
knife



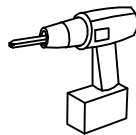
hammer



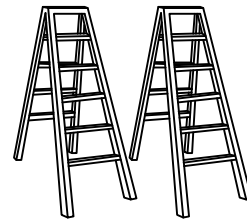
Safety hat



tapeline

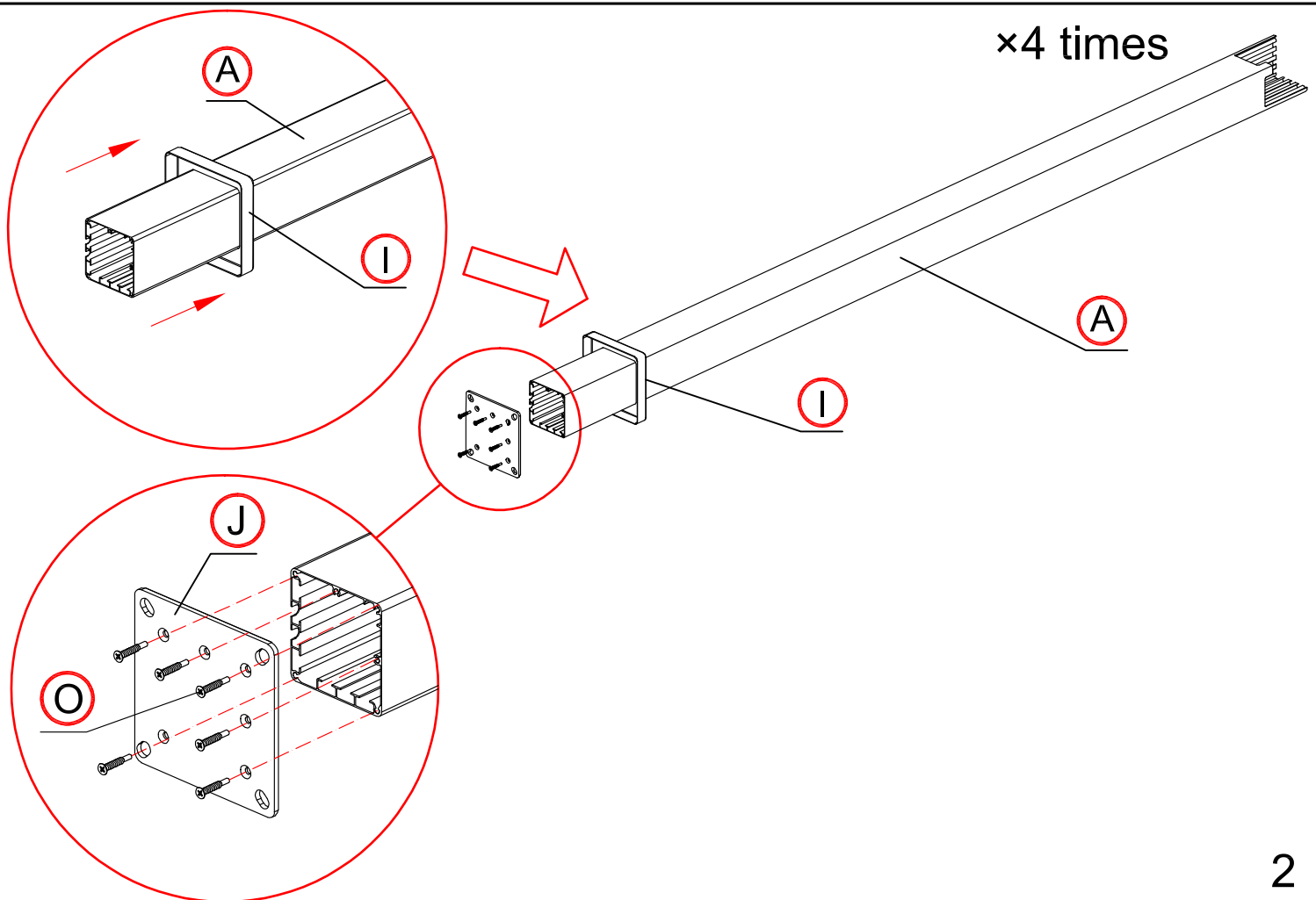


electric screw driver



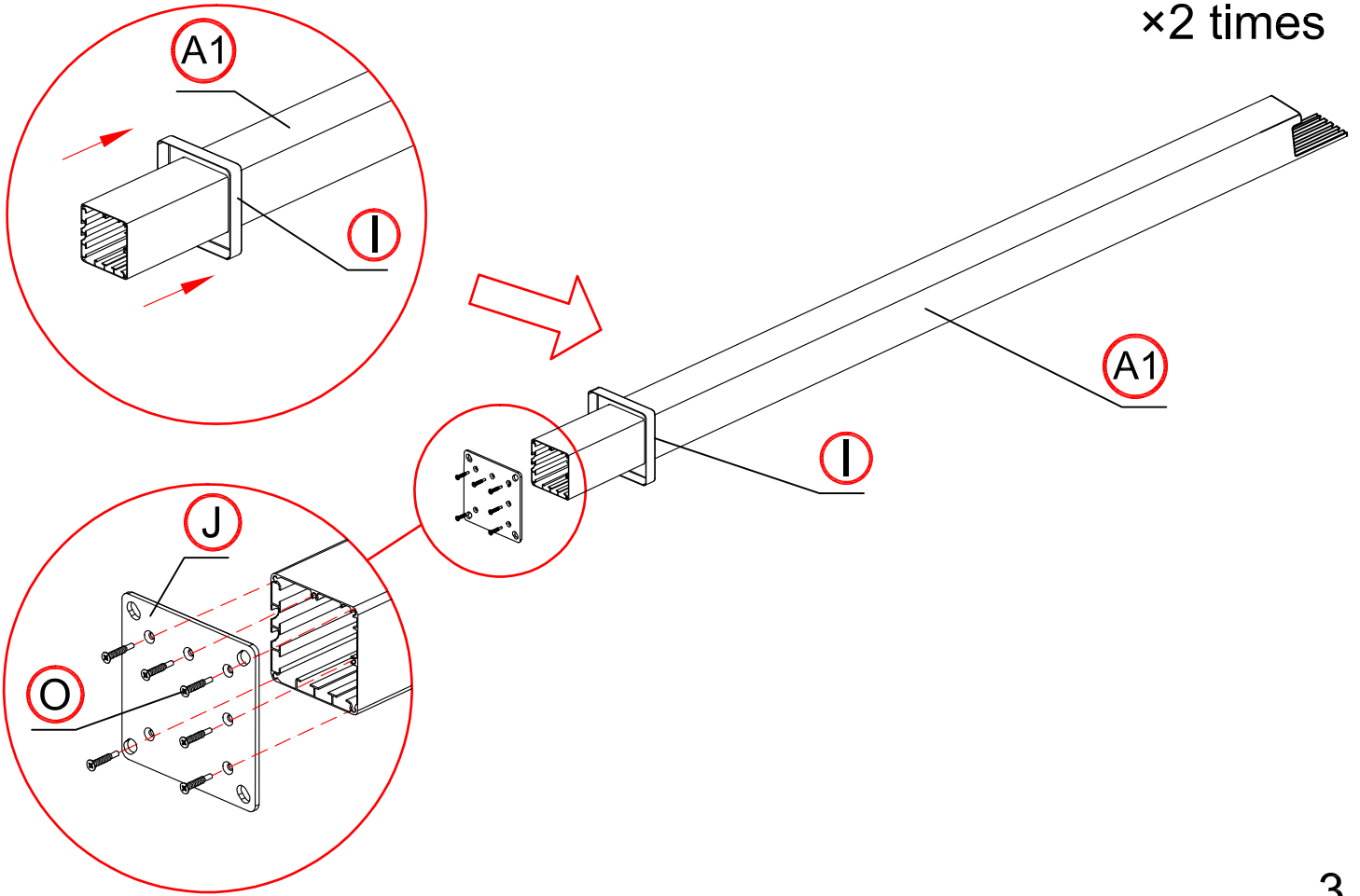
ladder

1

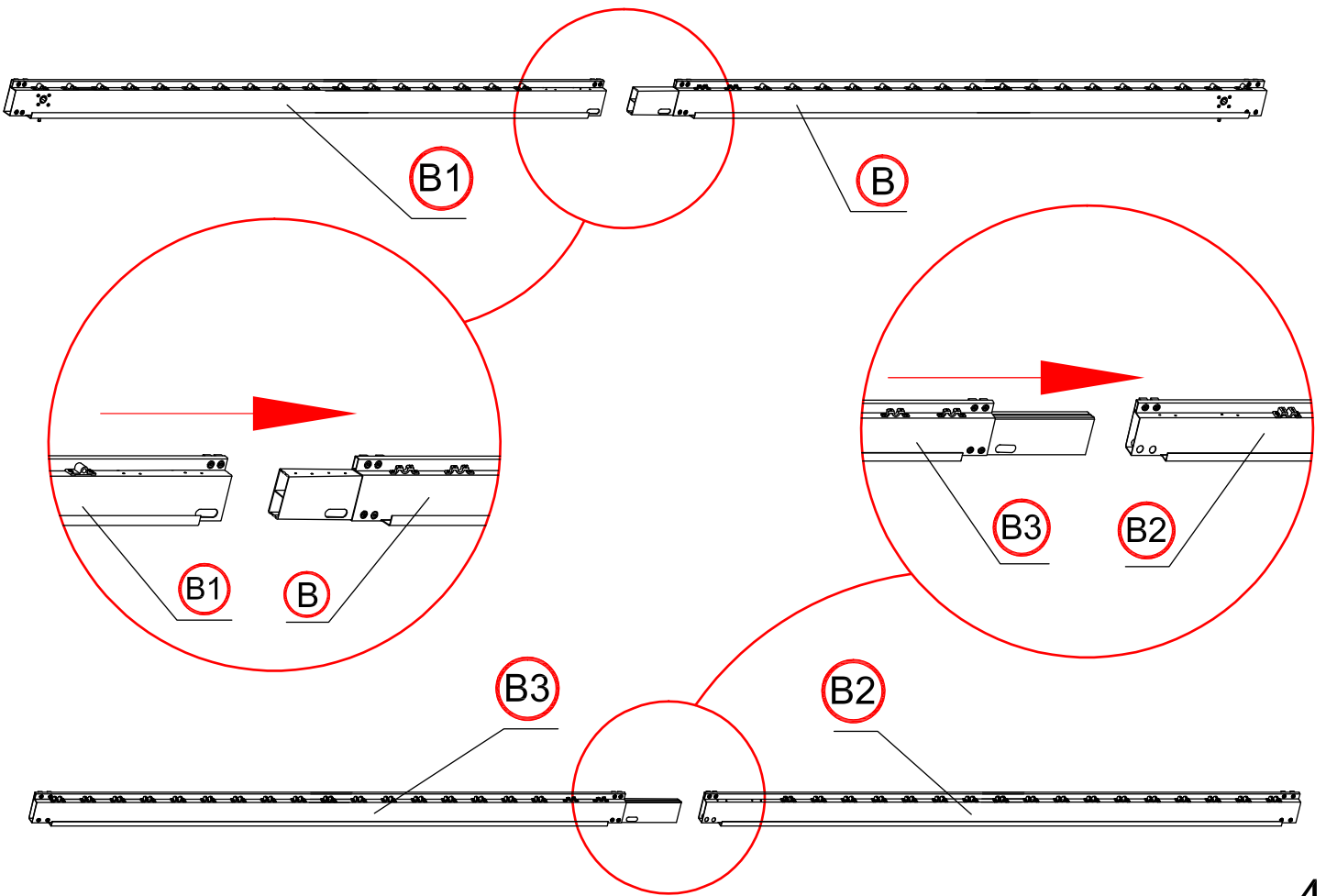


2

x2 times

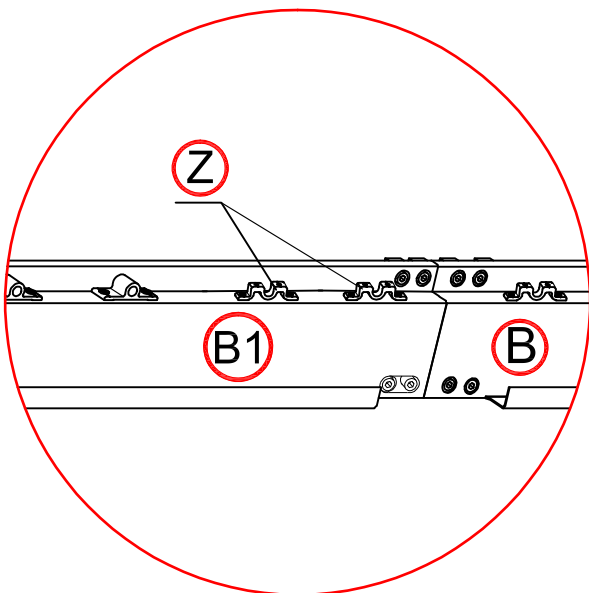
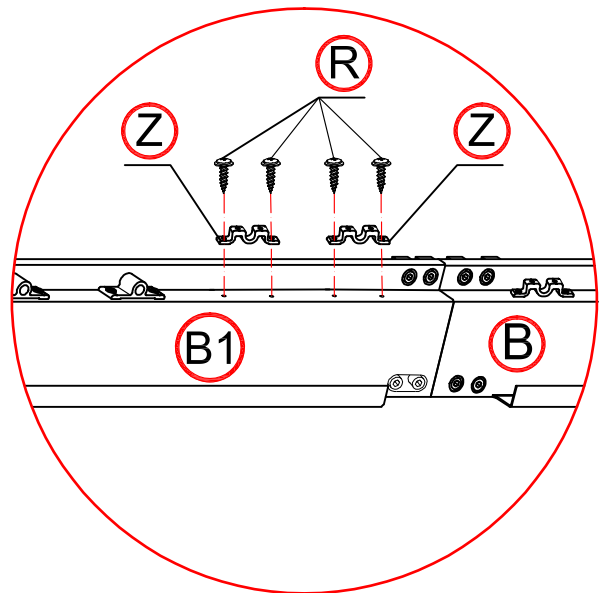
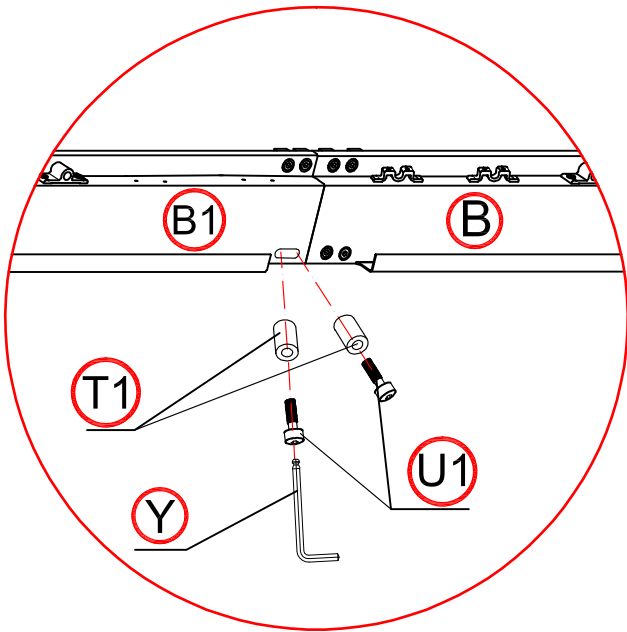
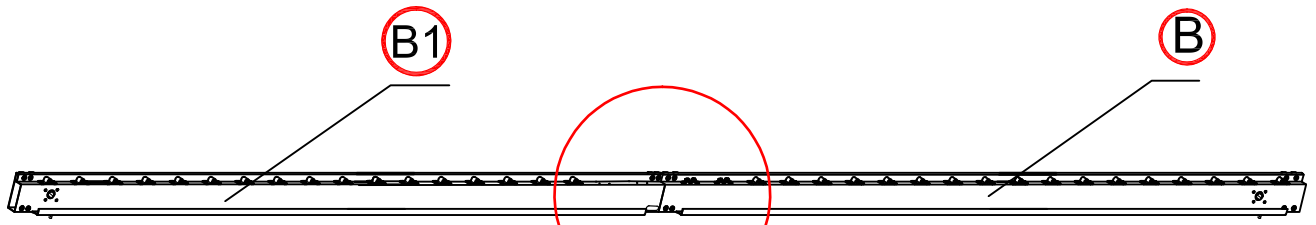


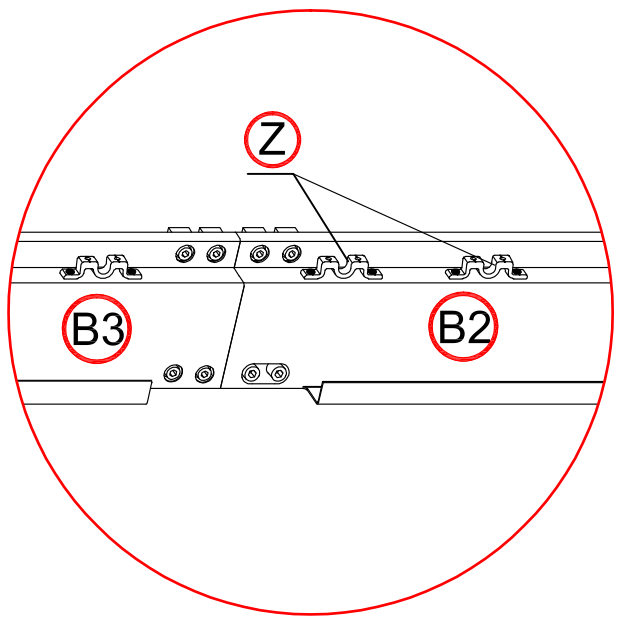
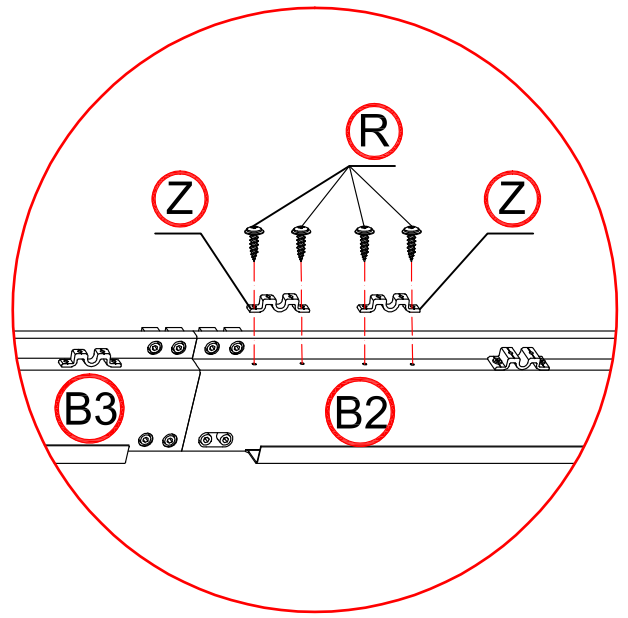
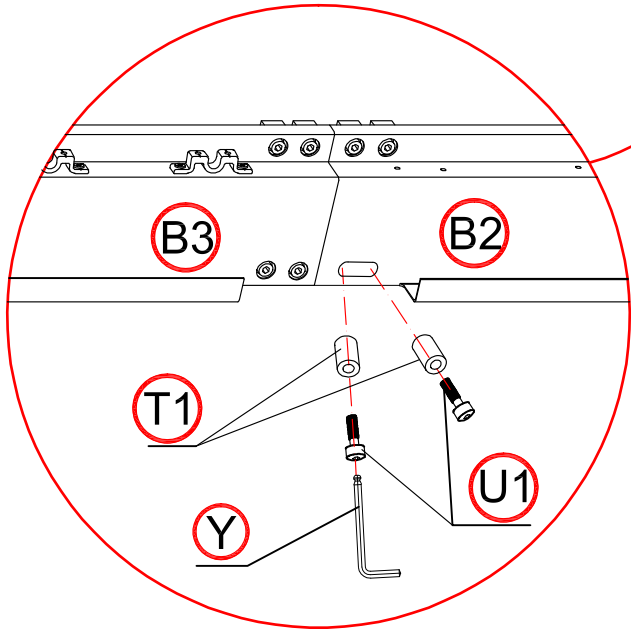
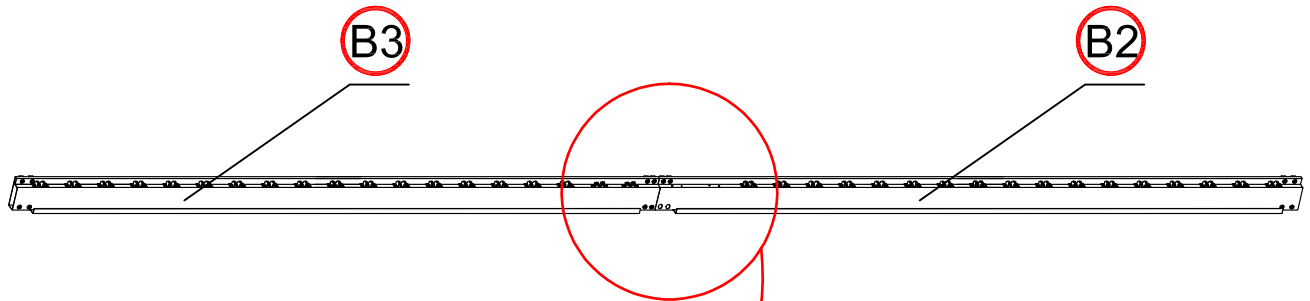
3

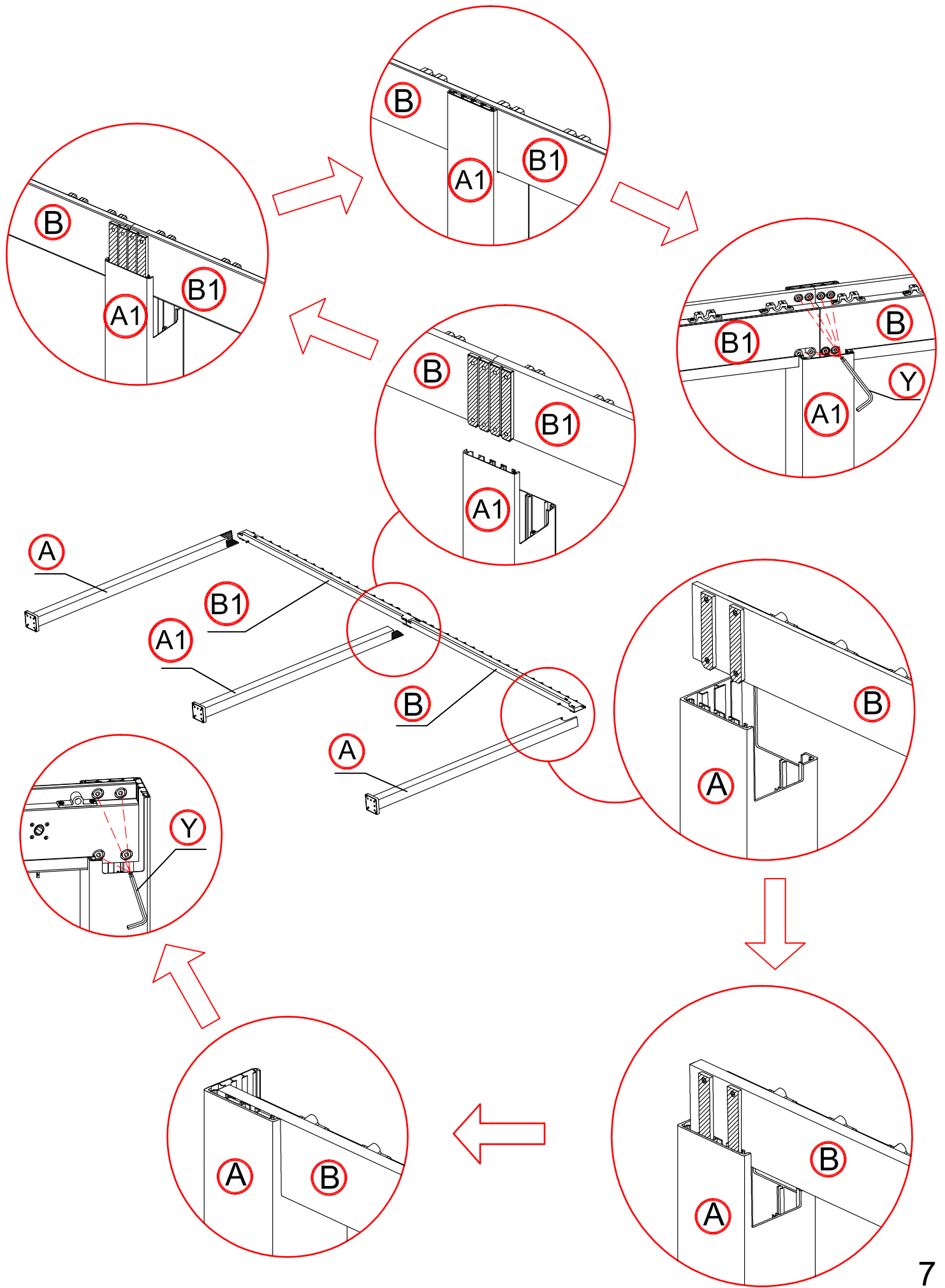


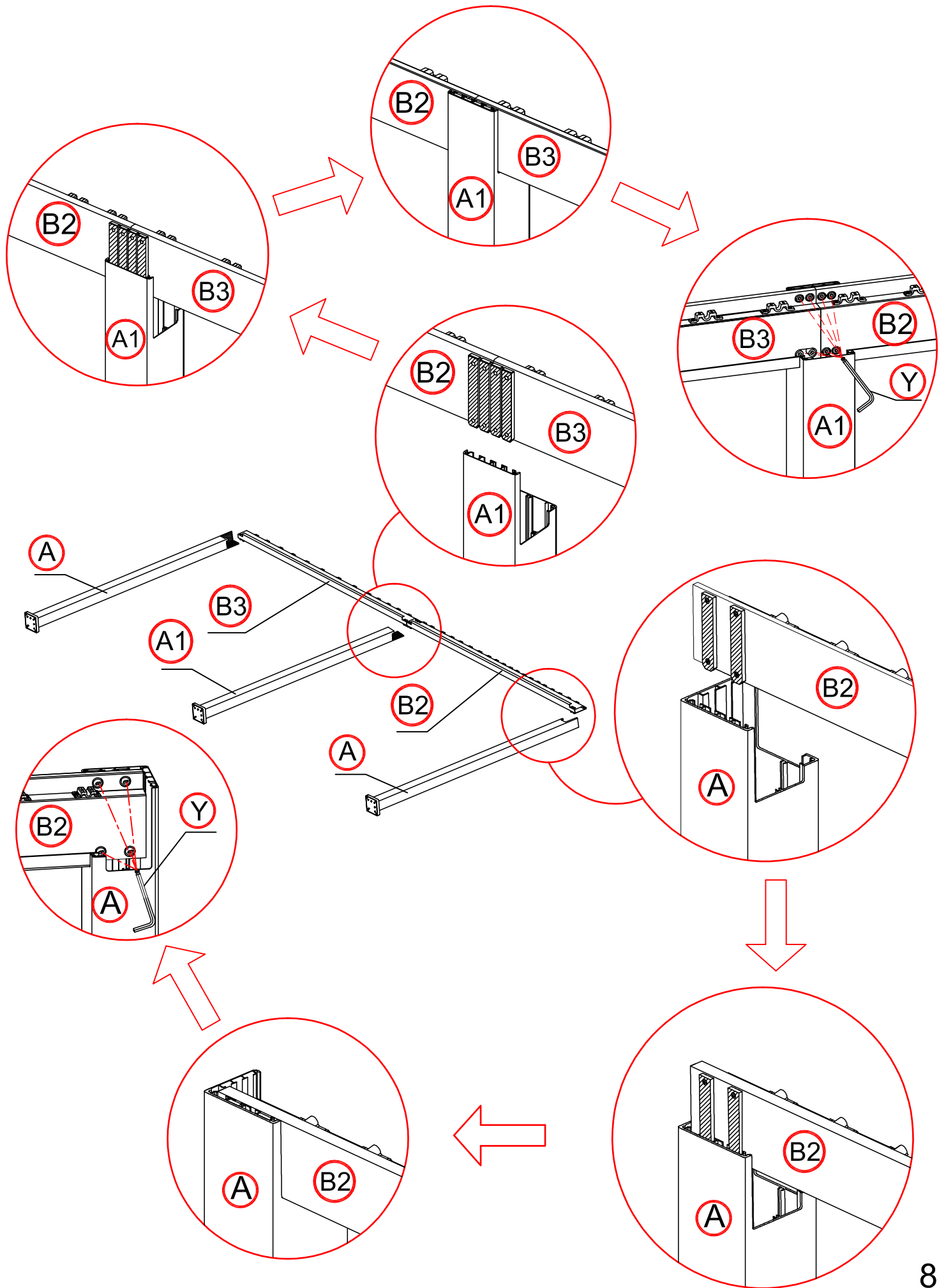
4

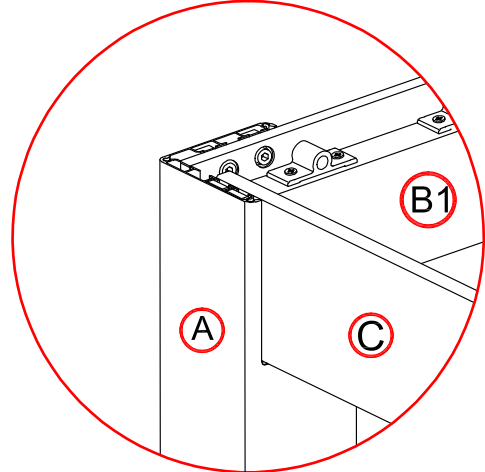
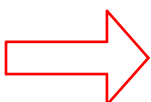
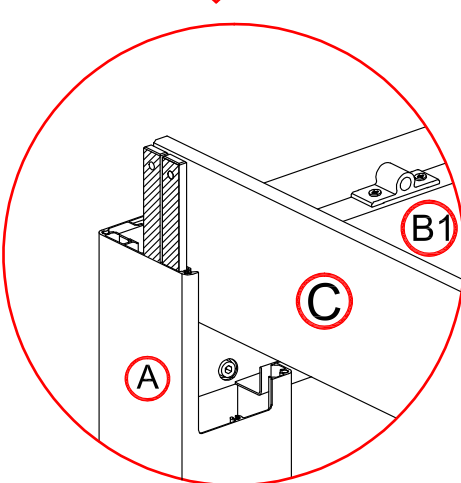
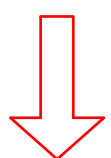
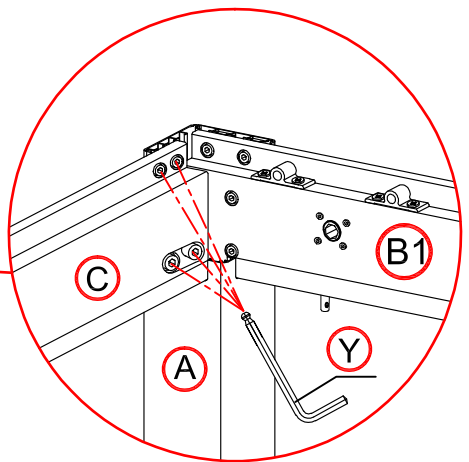
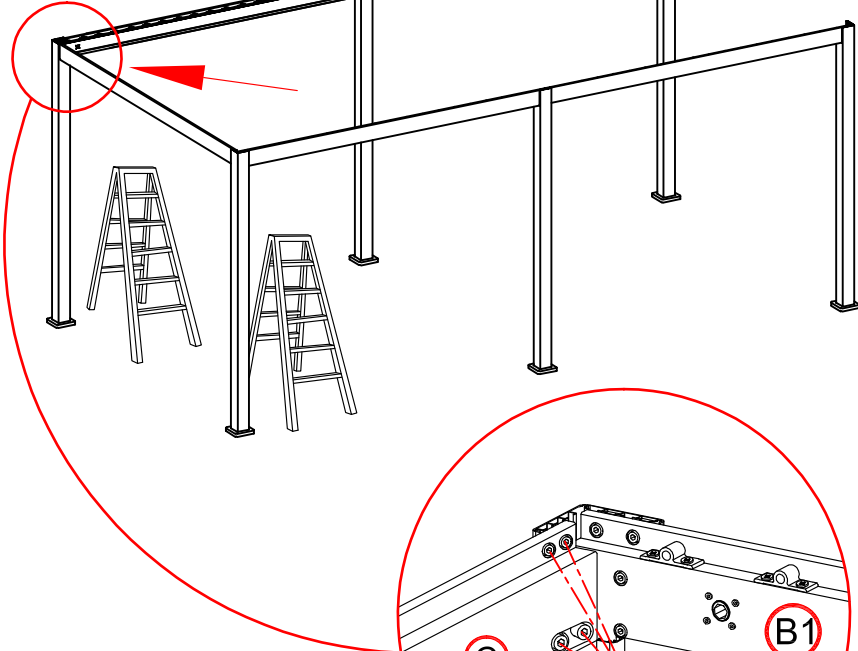
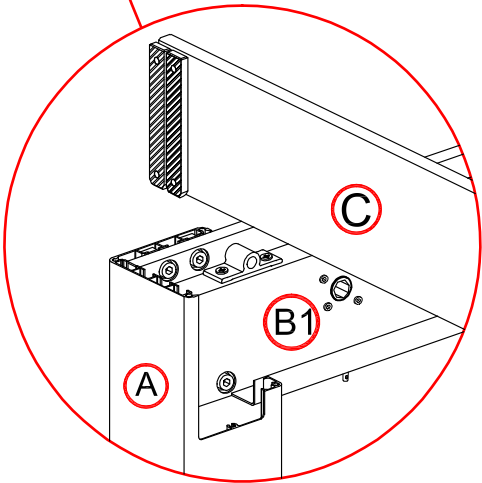
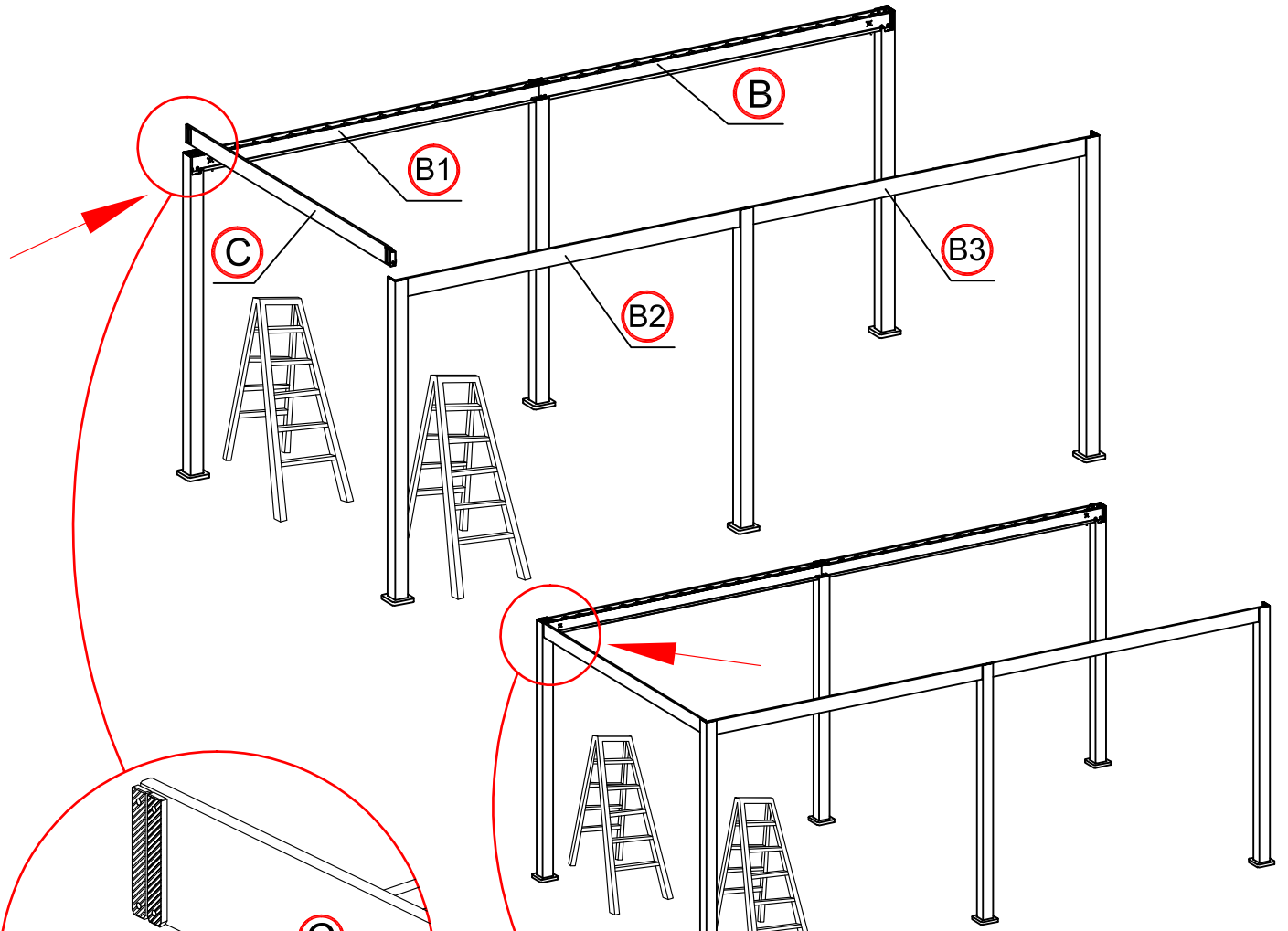
5

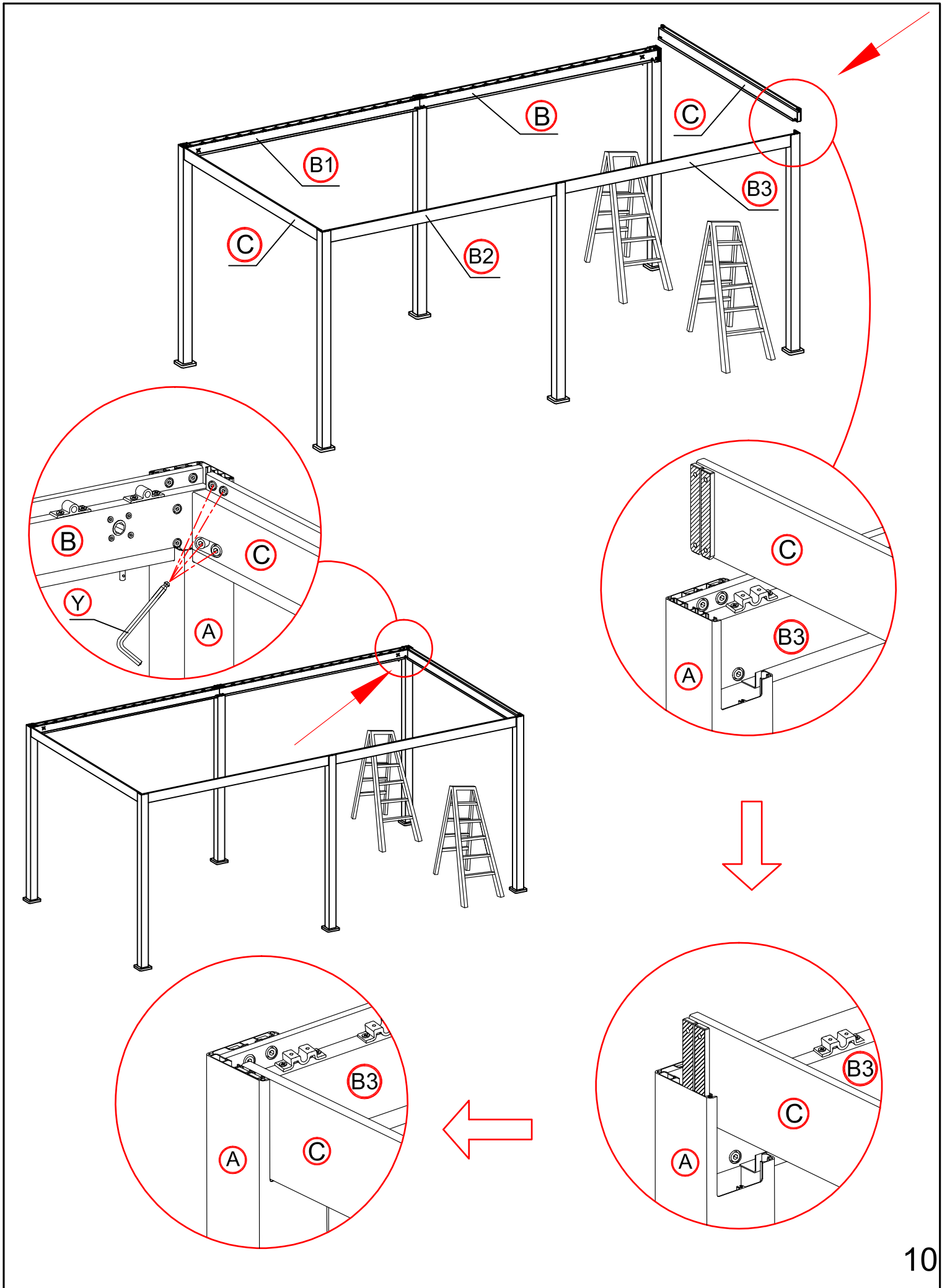


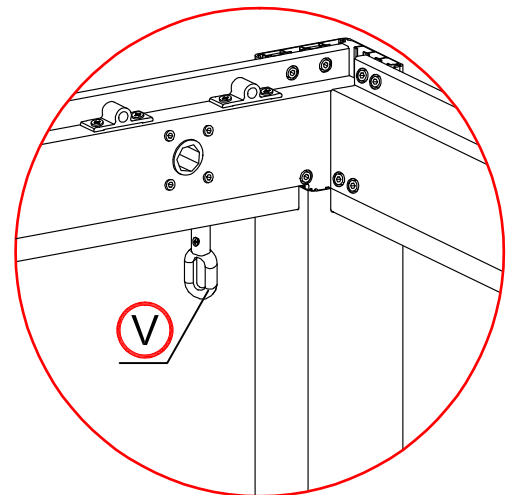
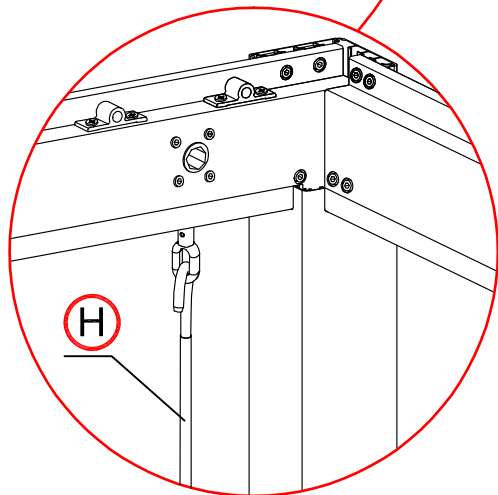
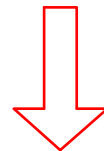
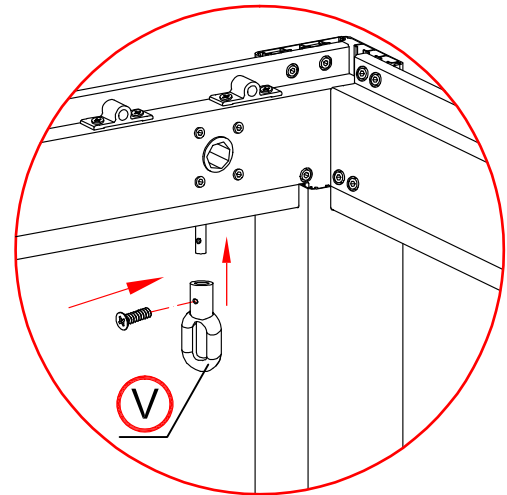
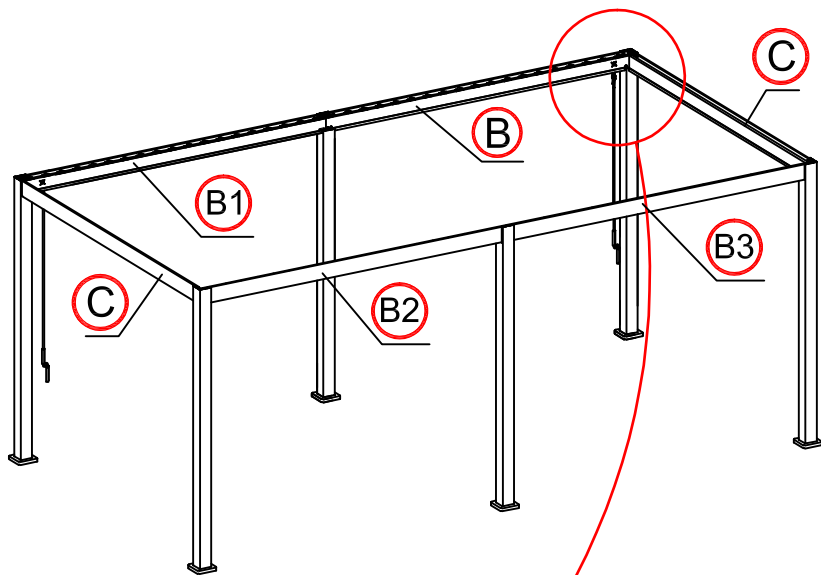
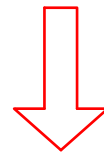
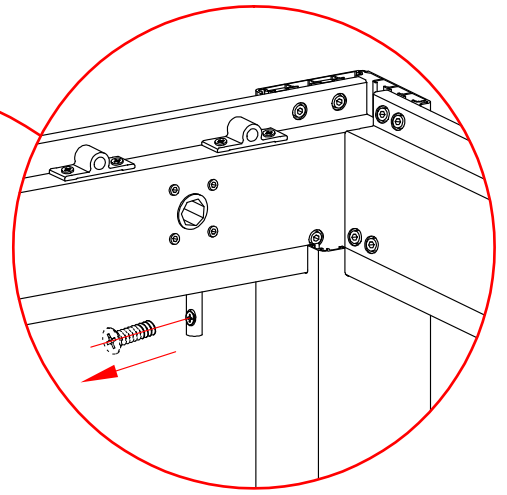
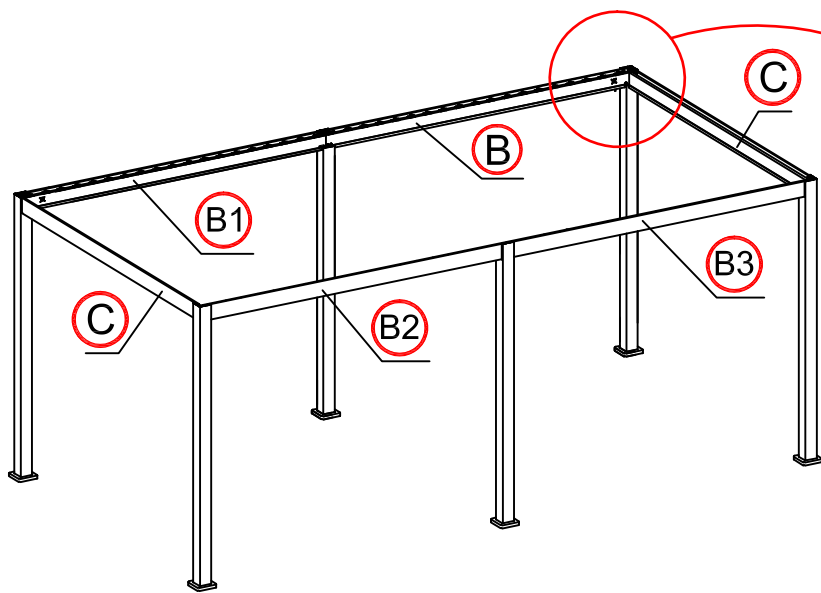


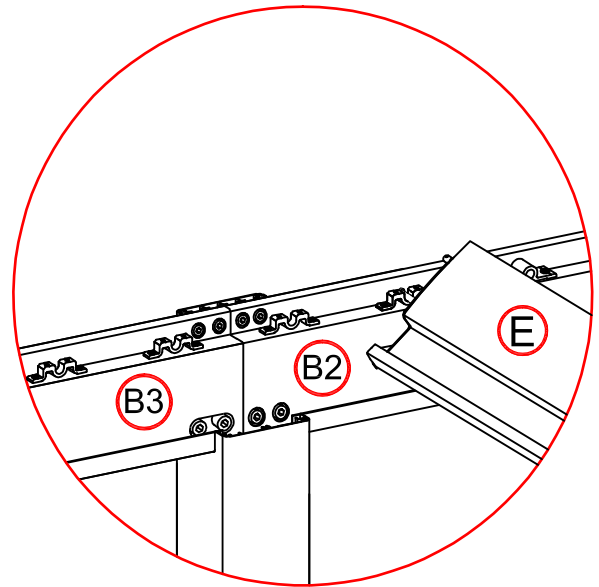
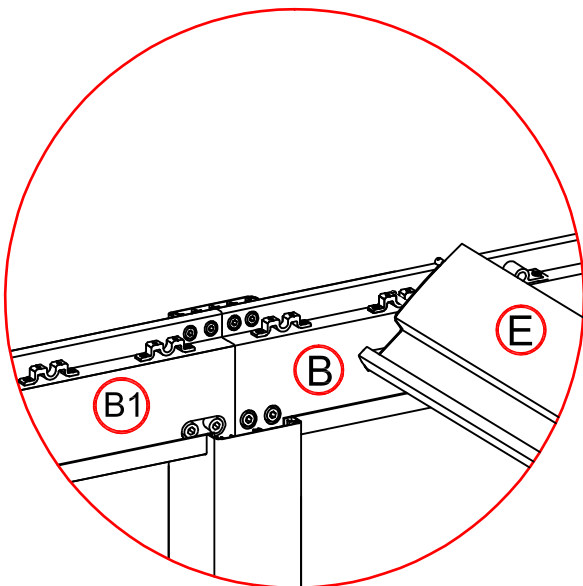
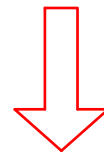
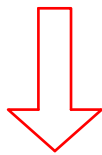
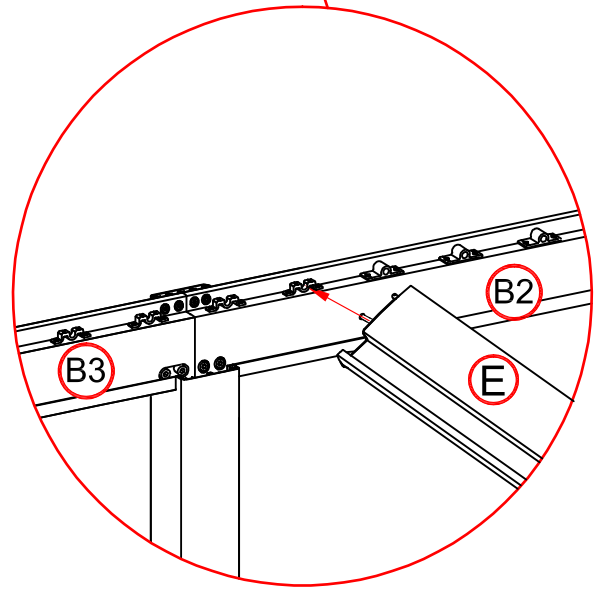
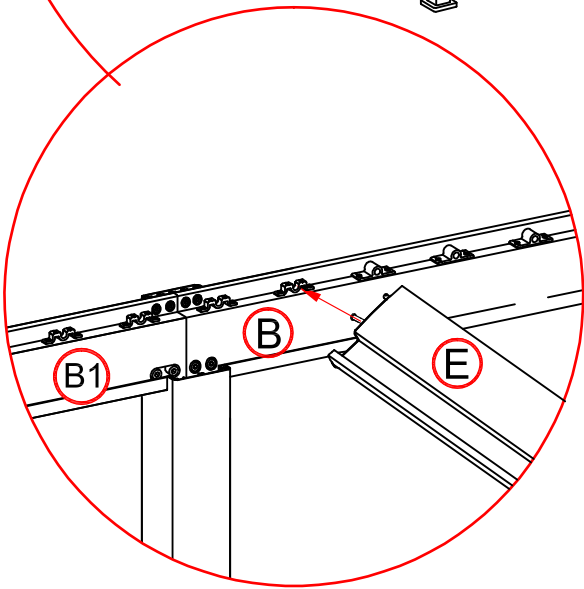
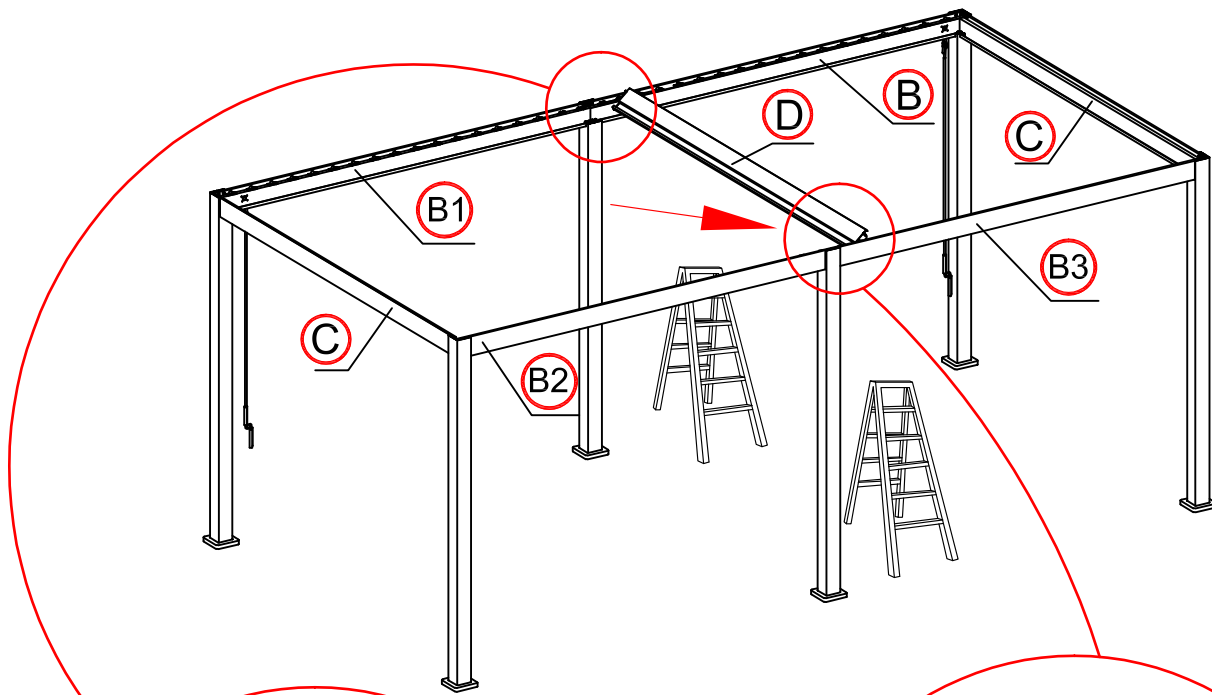


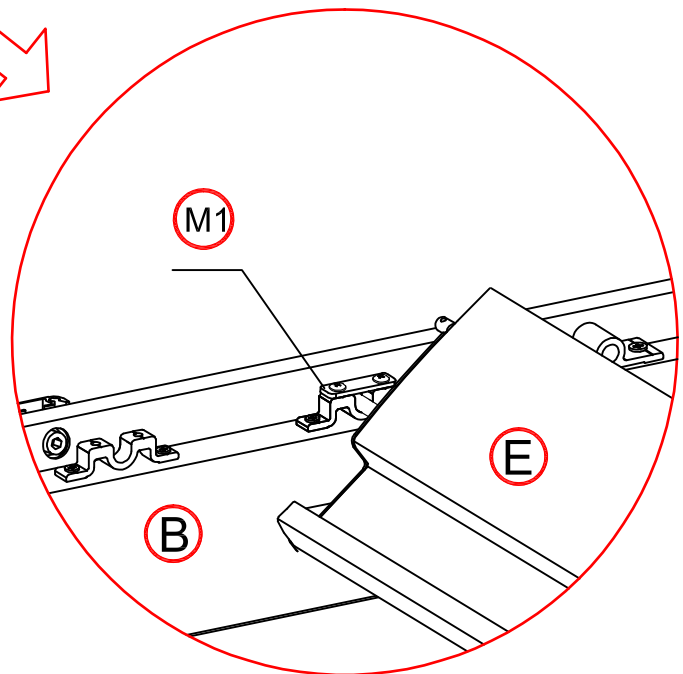
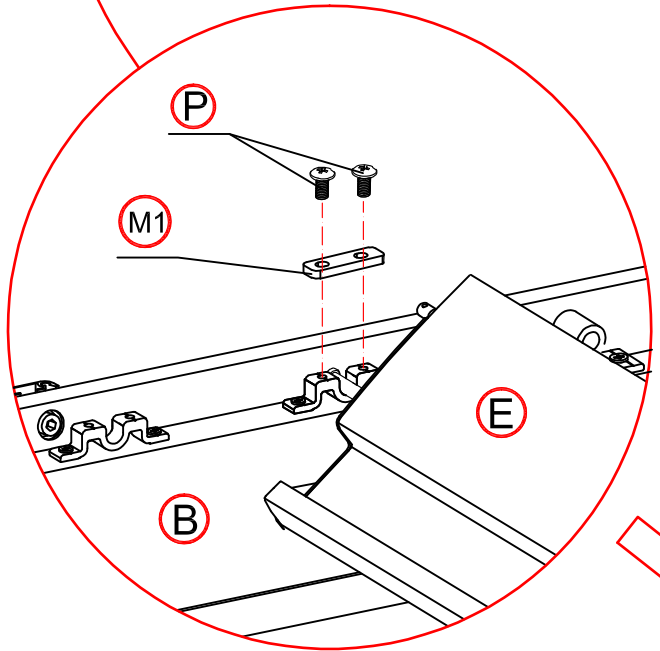
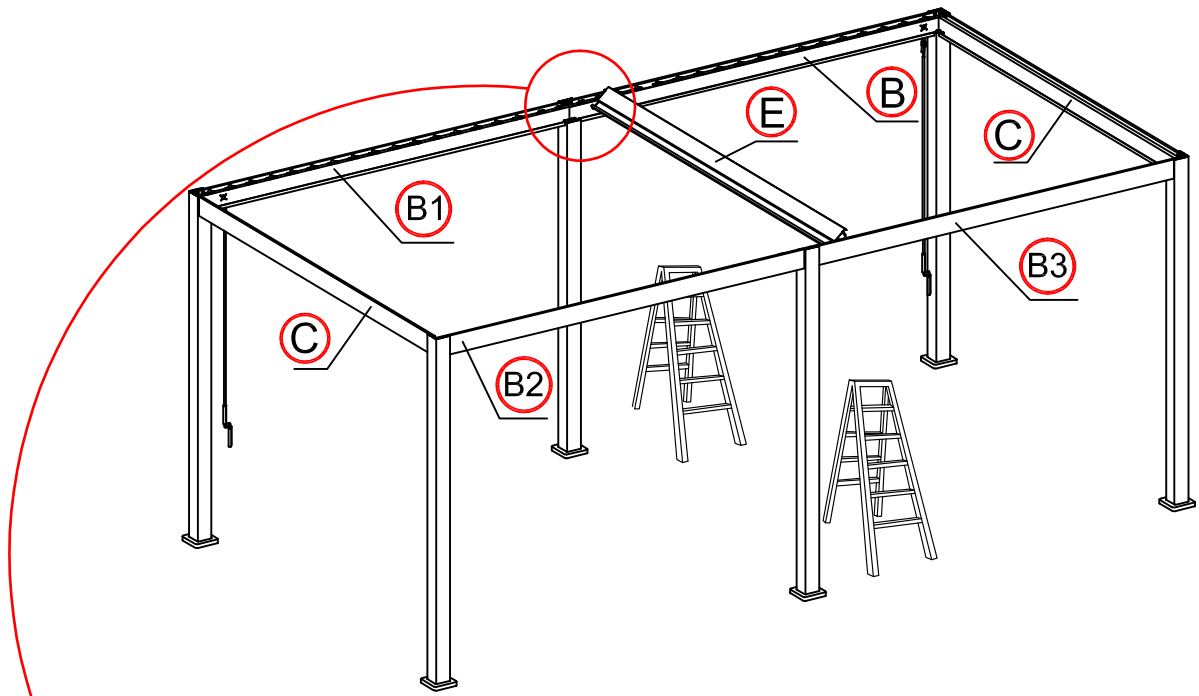


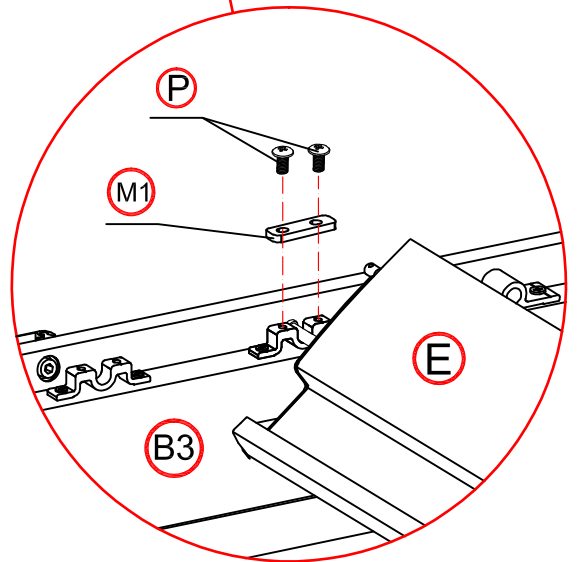
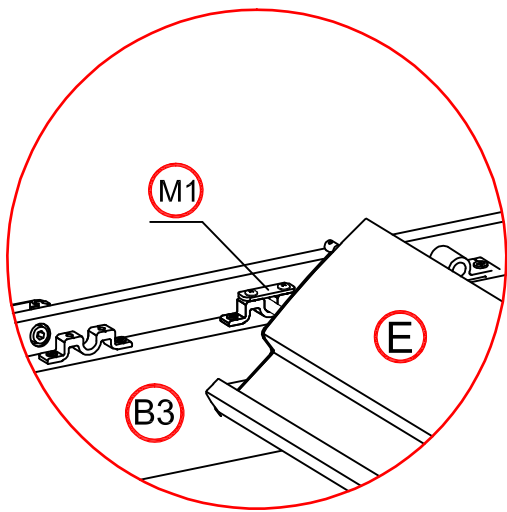
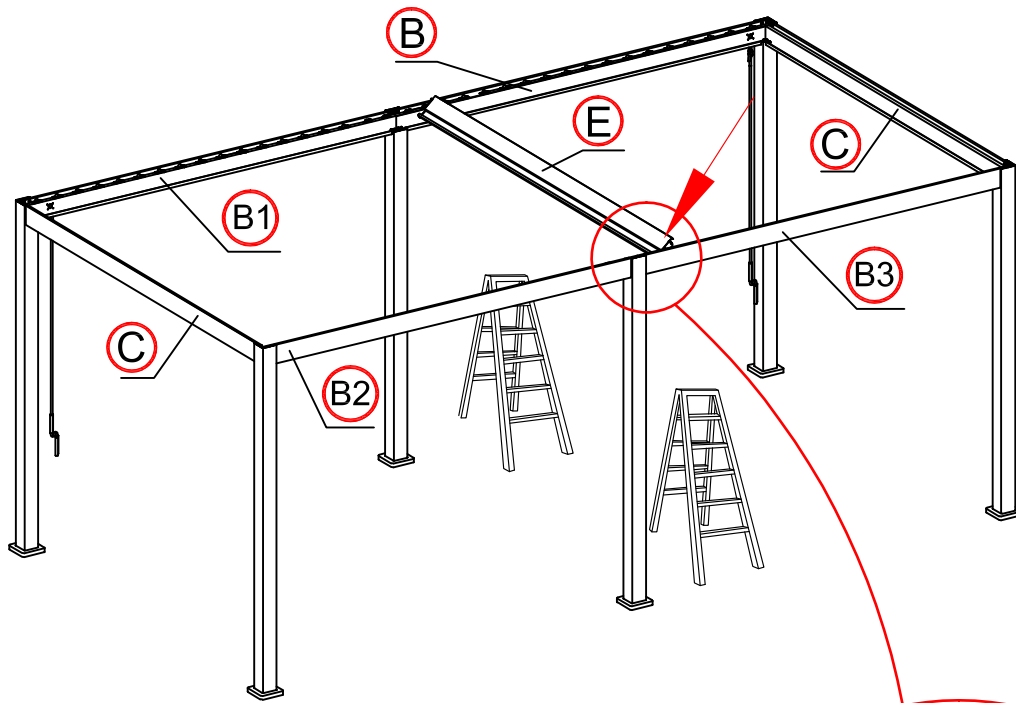




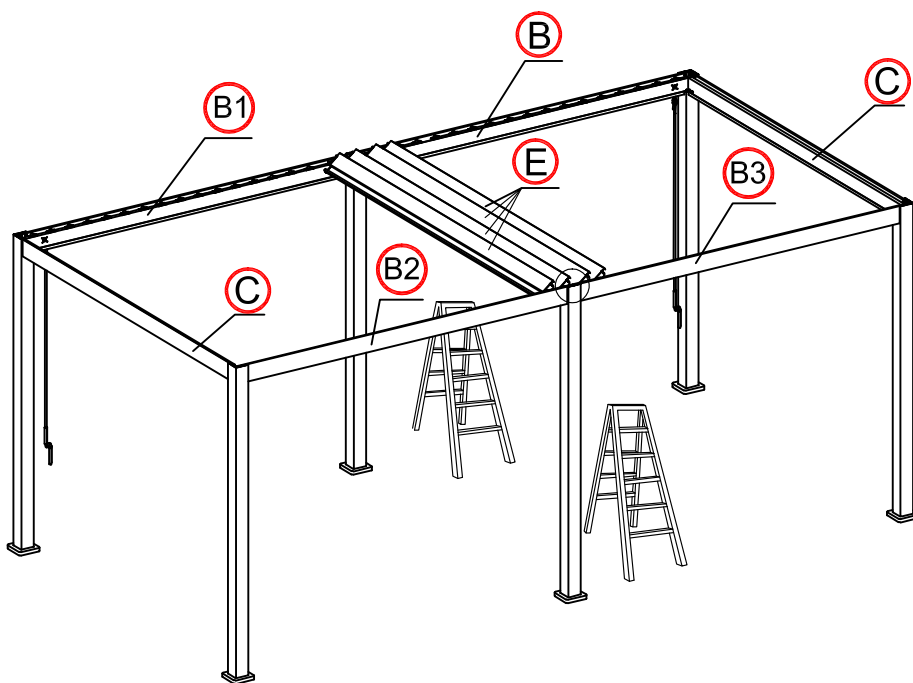




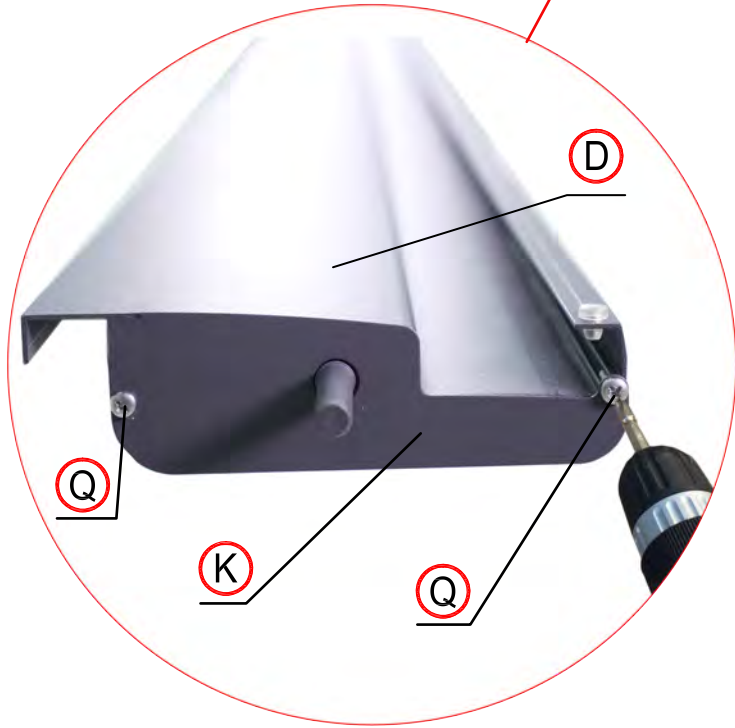
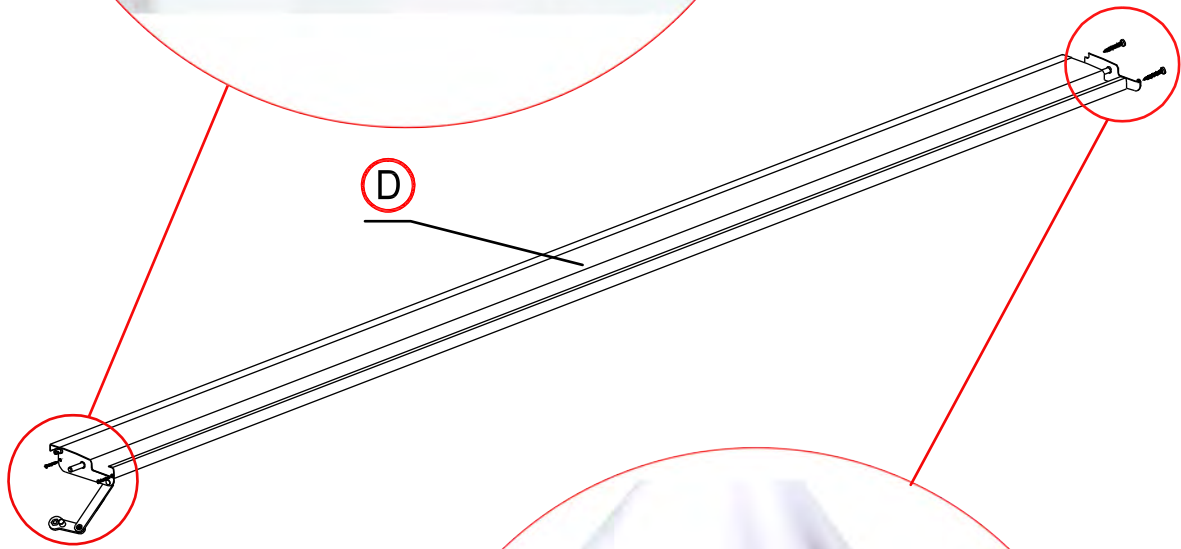
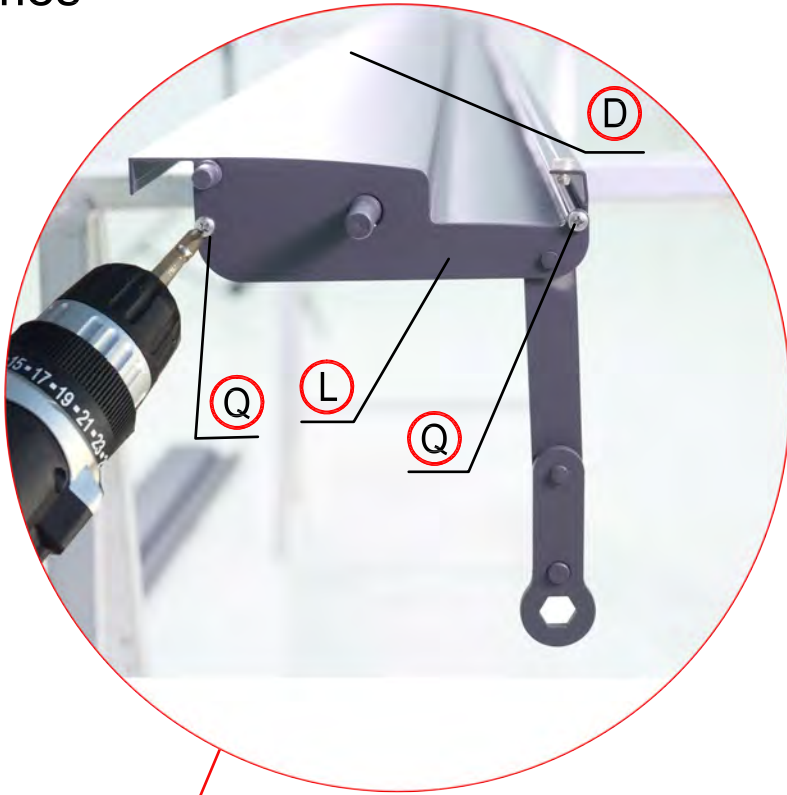




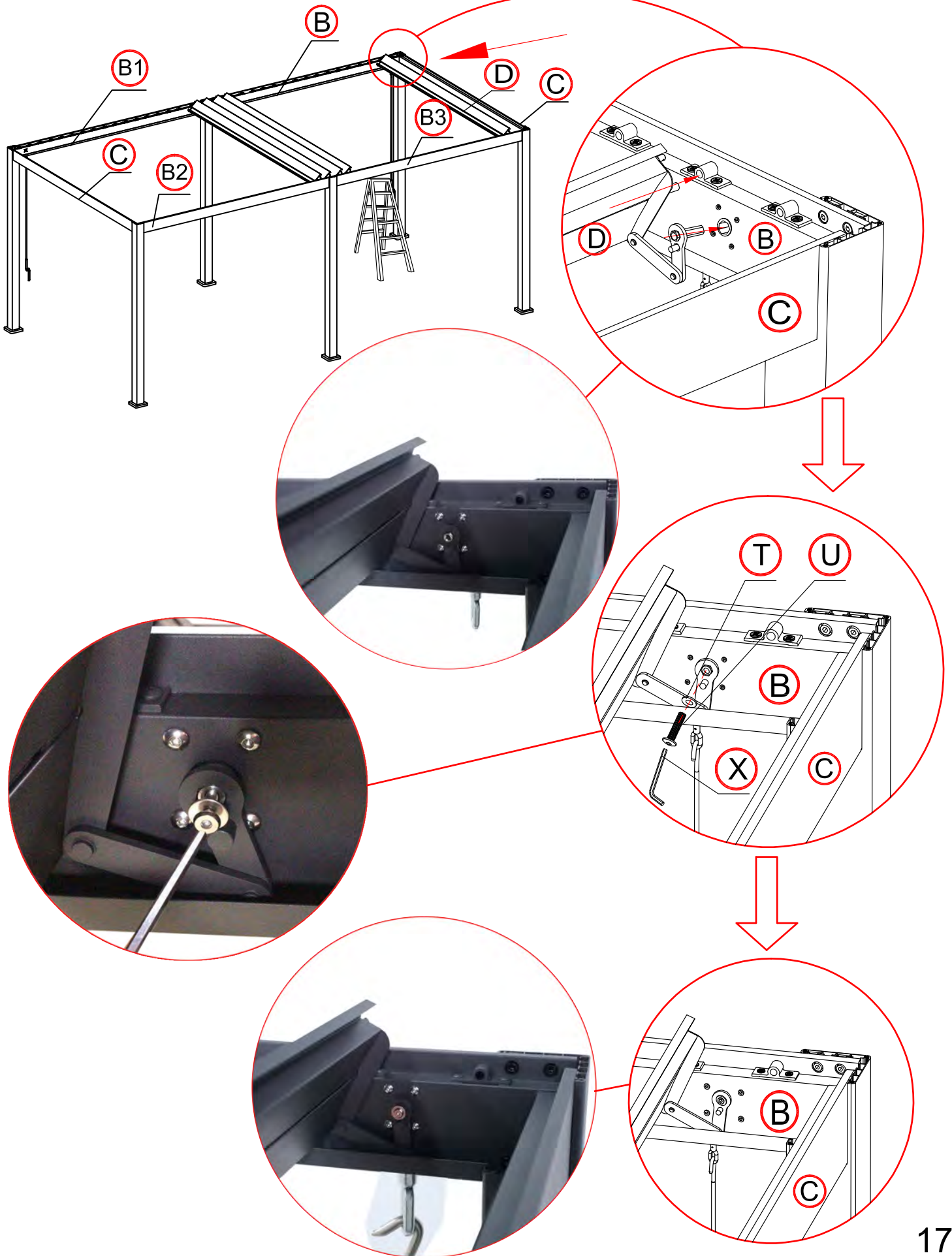
×4 times

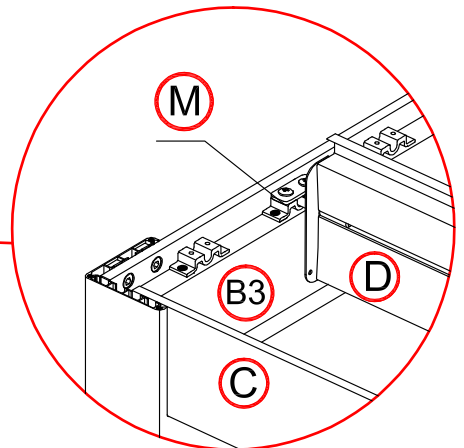
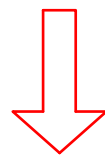
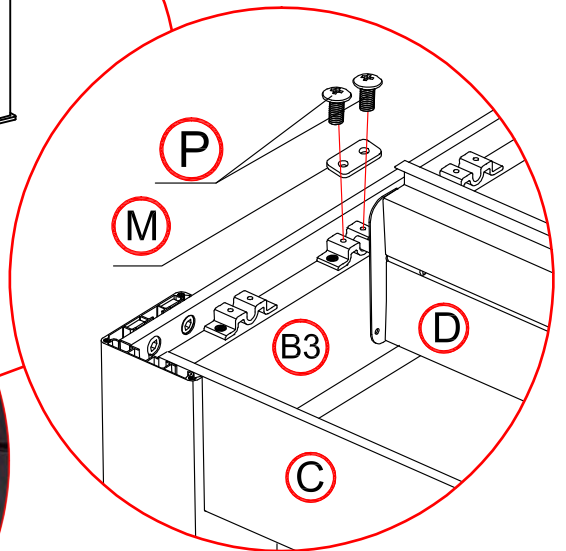
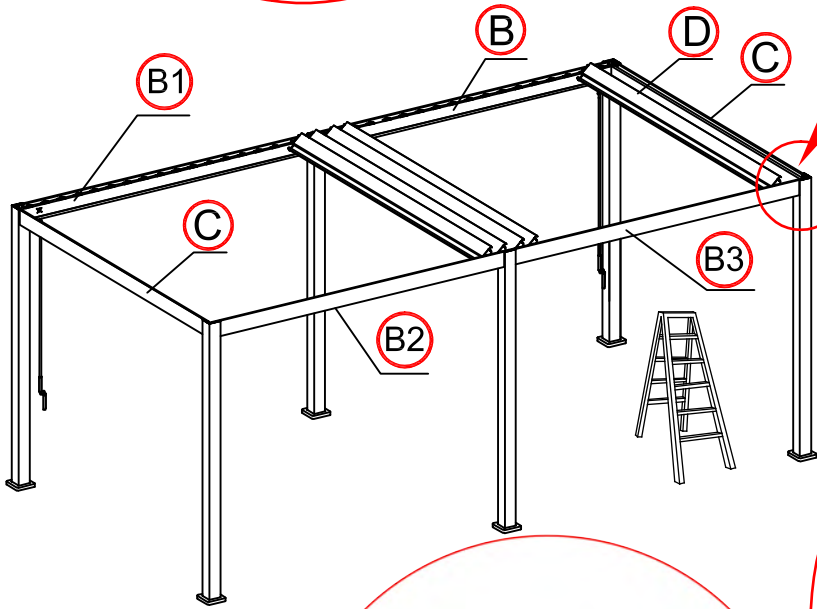
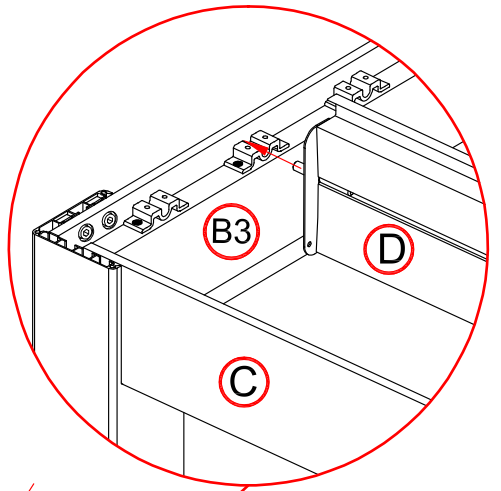
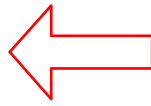
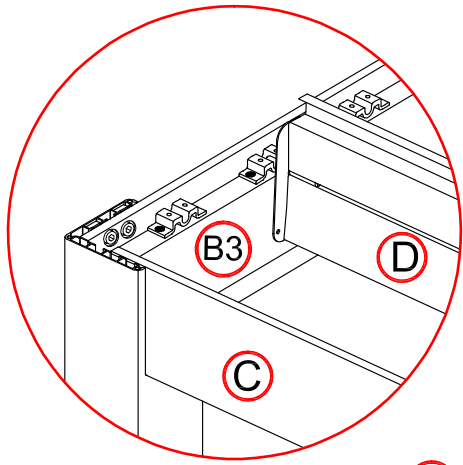


×2 times

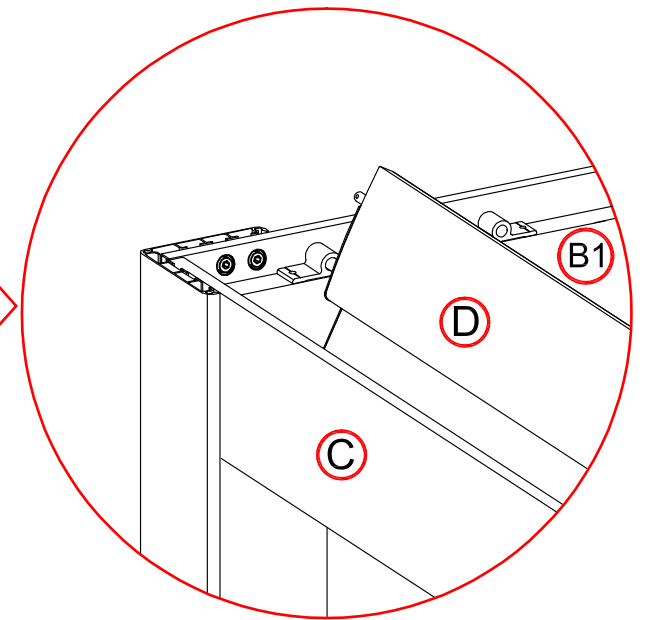
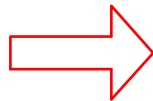
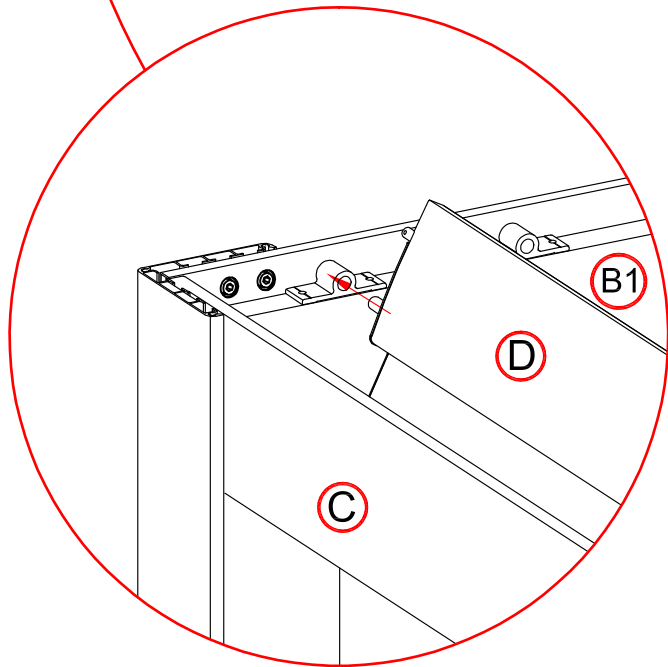
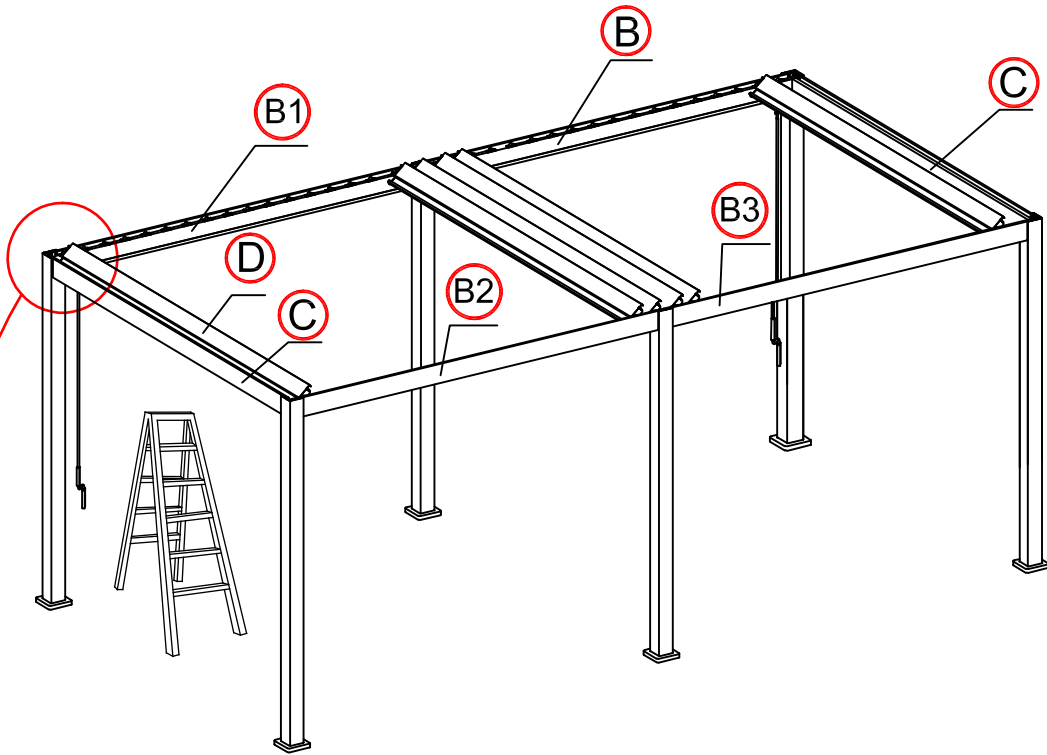


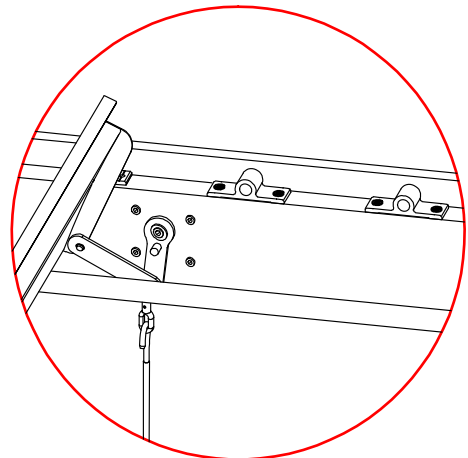
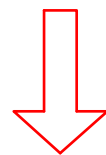
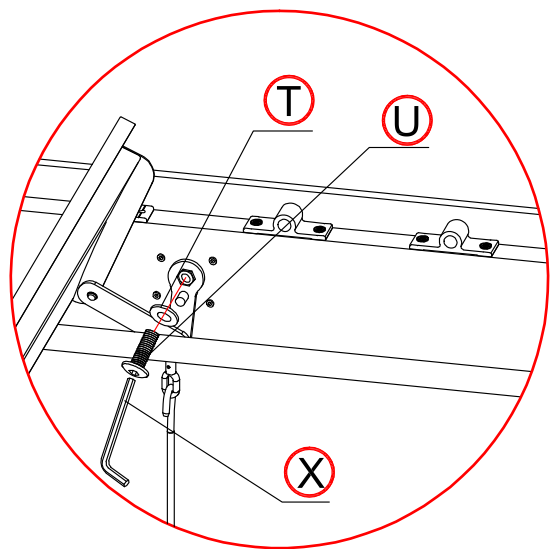
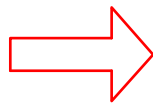
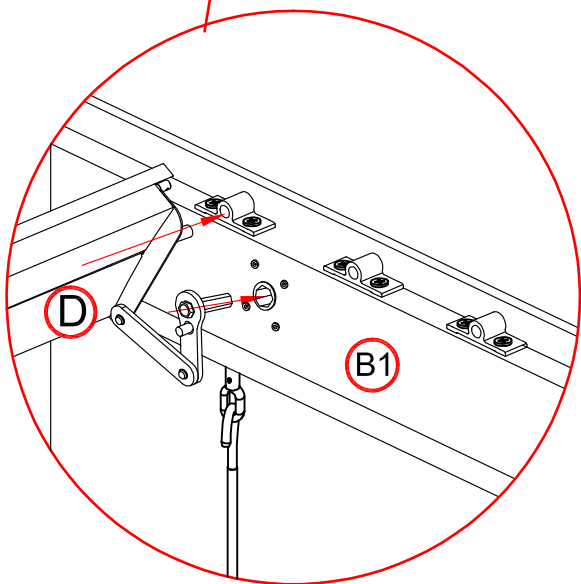
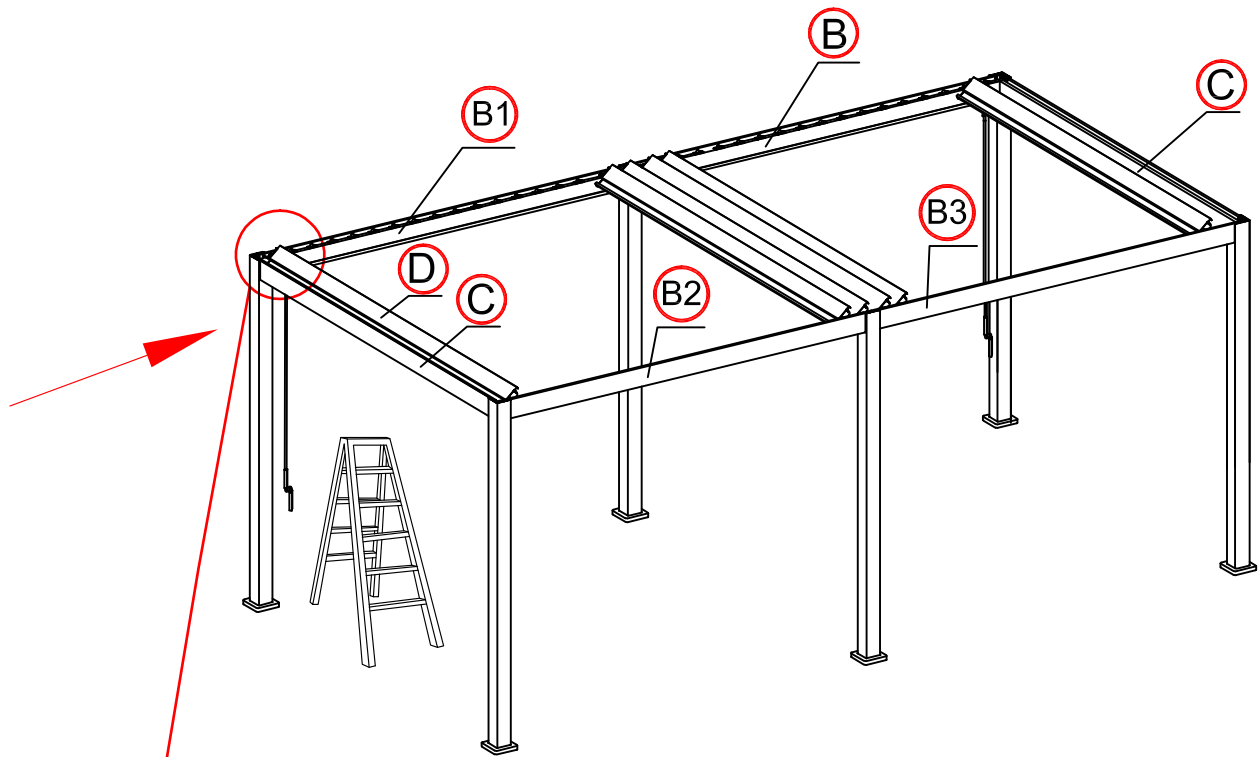
Assemble the second slice to the right.

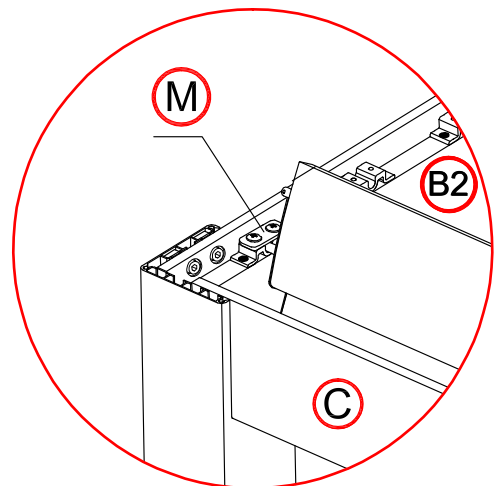
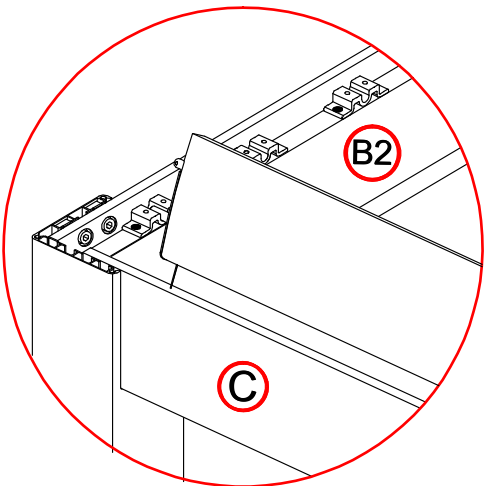
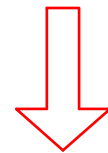
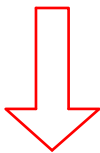
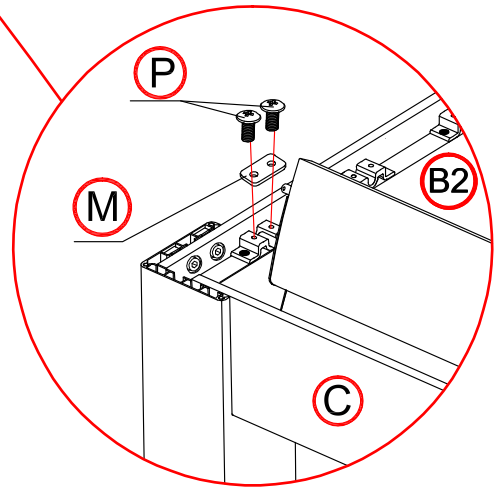
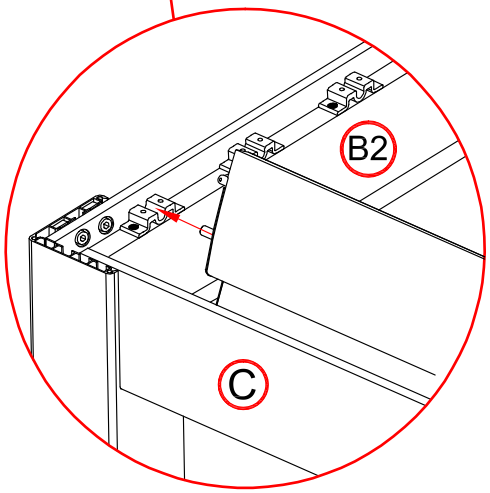
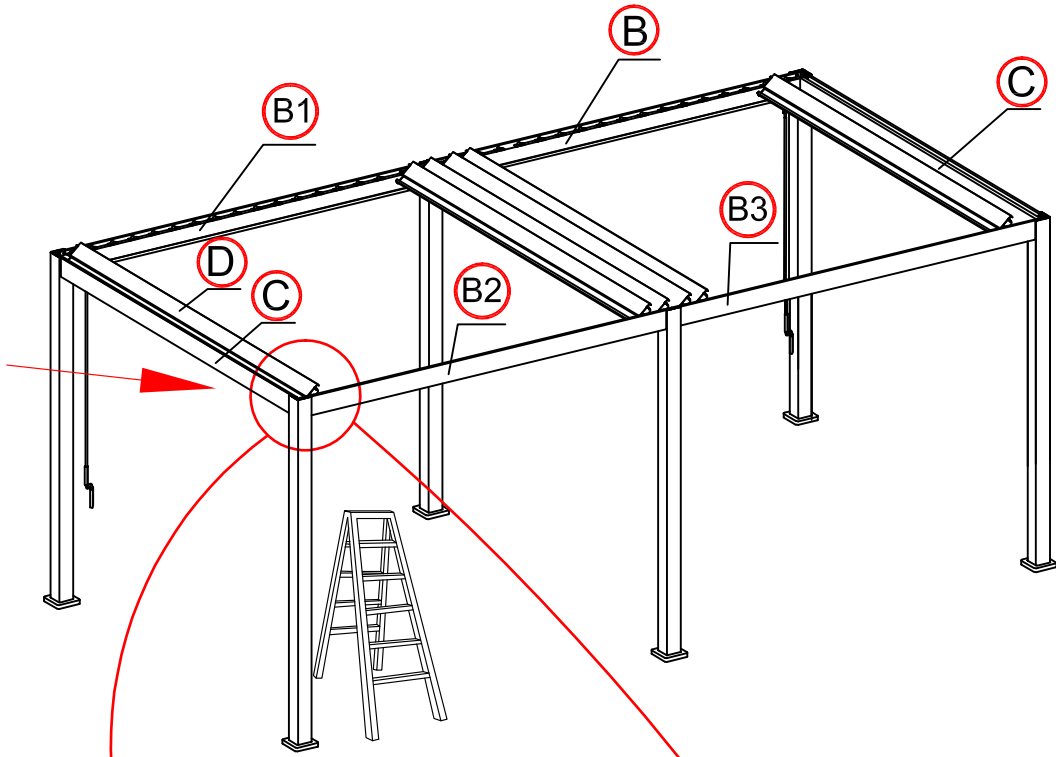




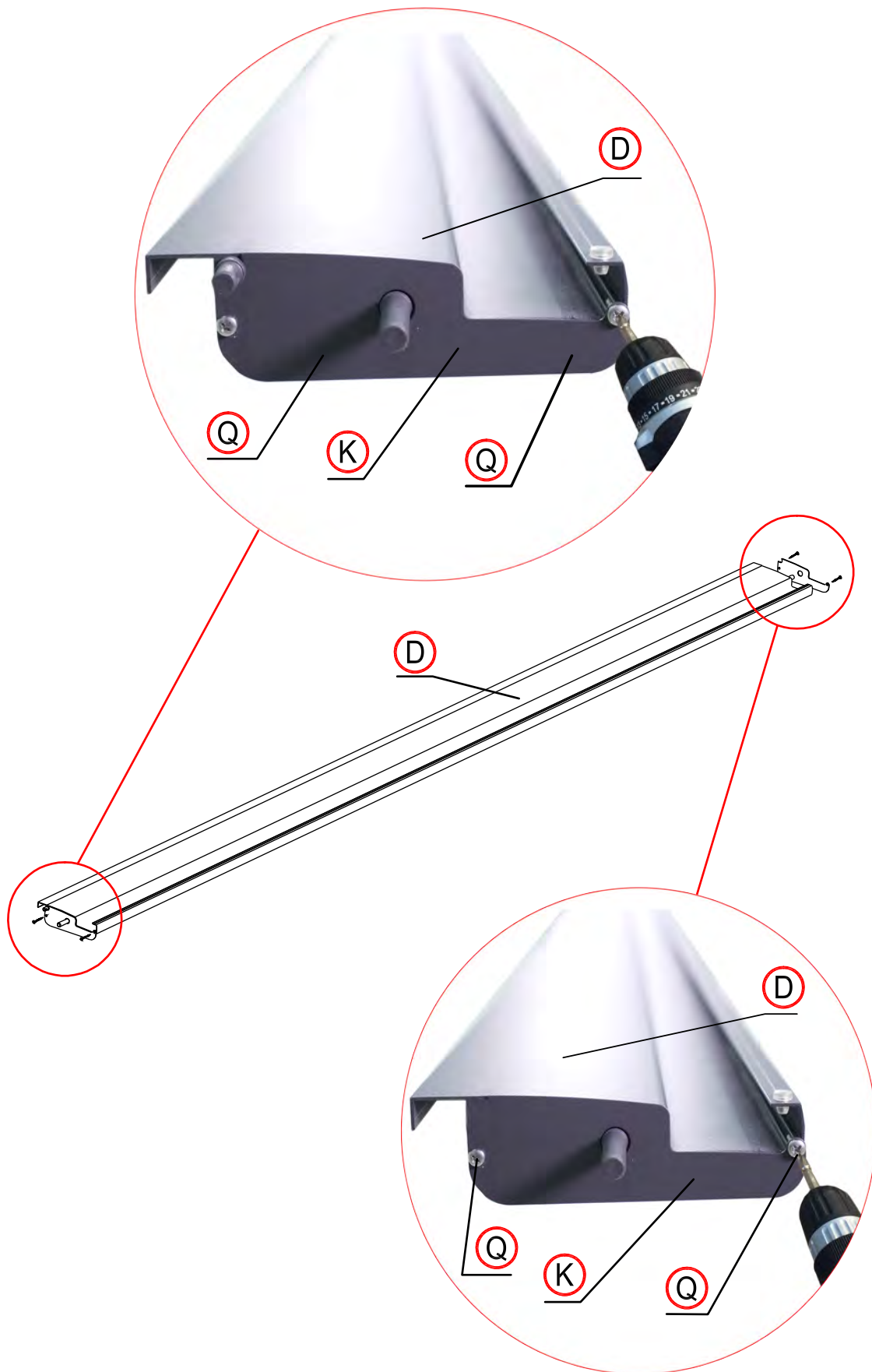
Assemble the first slice to the left.

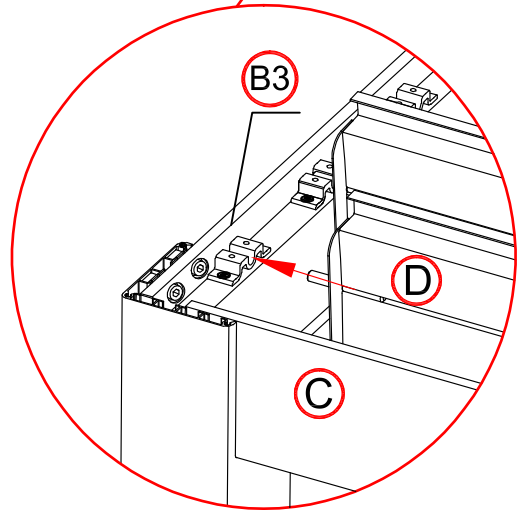
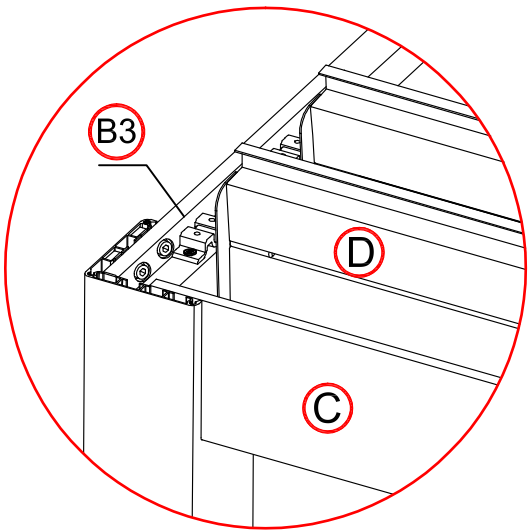
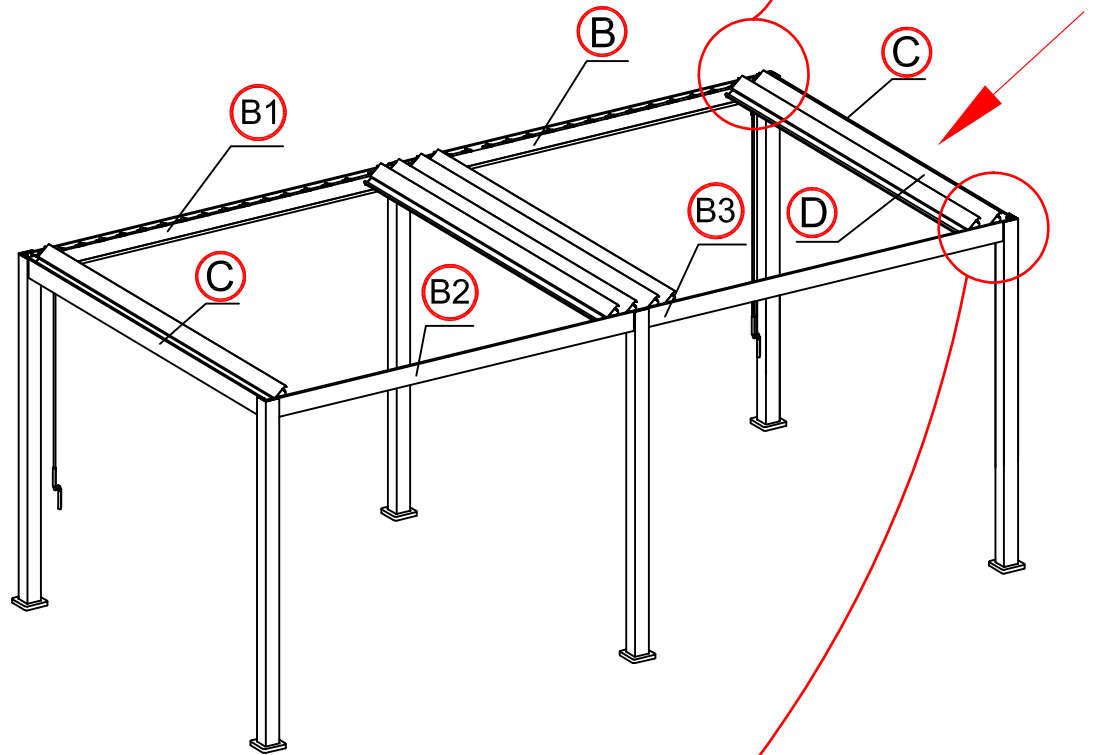
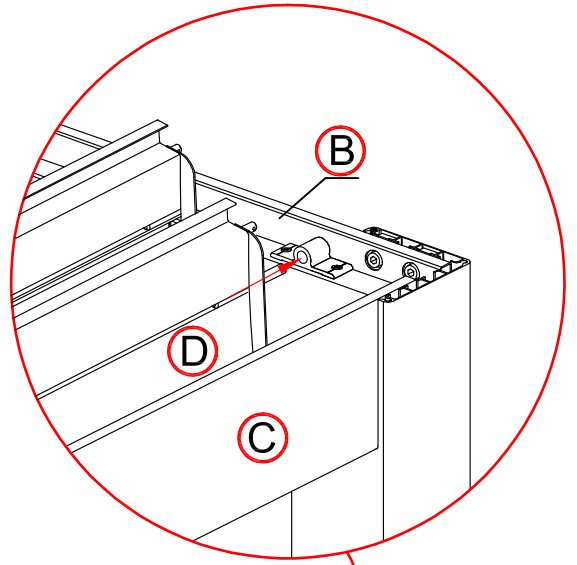
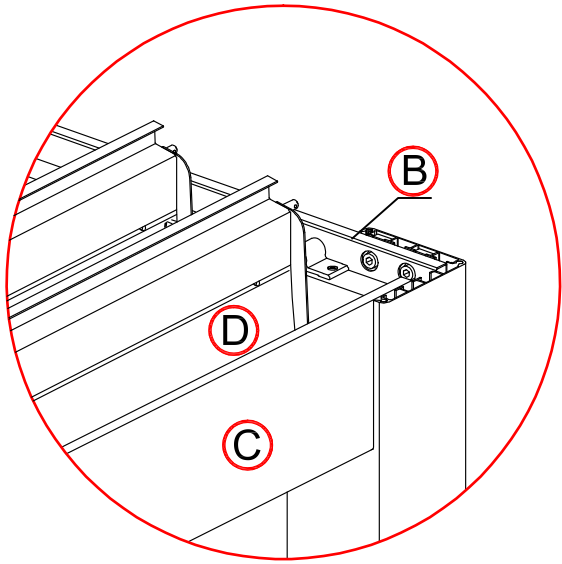


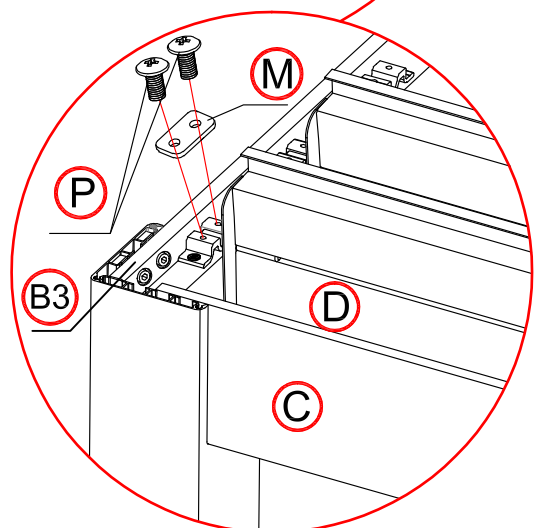
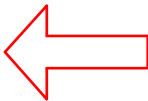
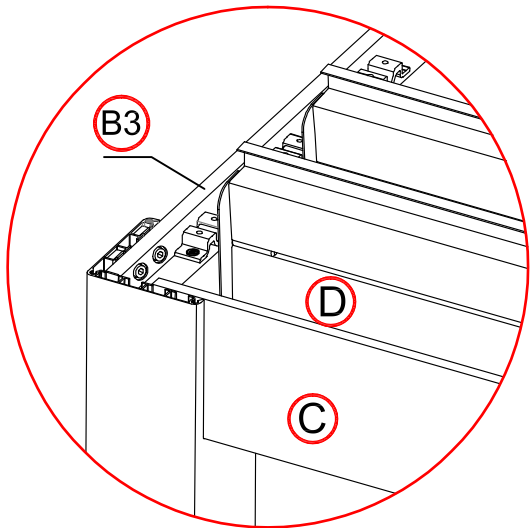
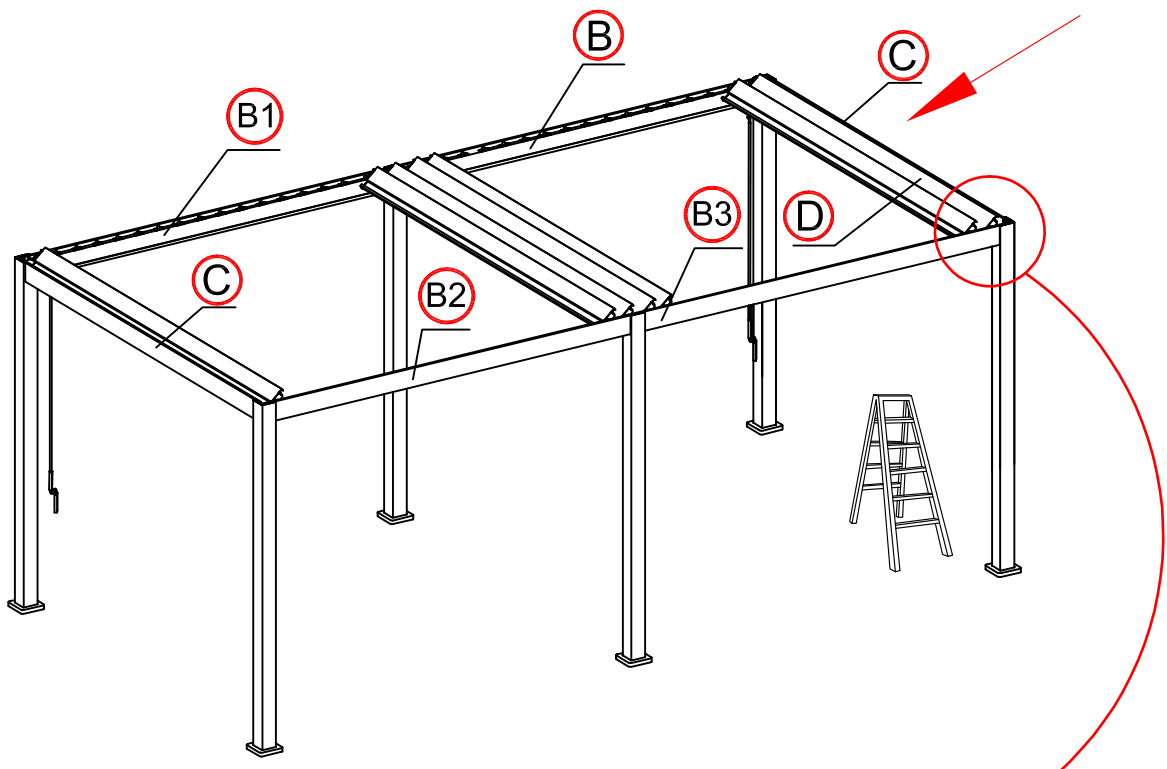




×32 times







Make the shutter as vertical.

