



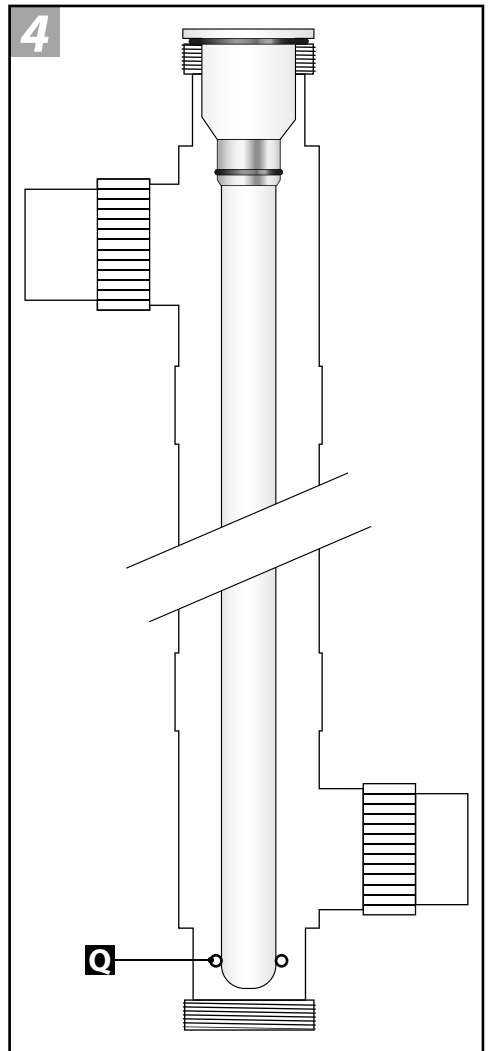
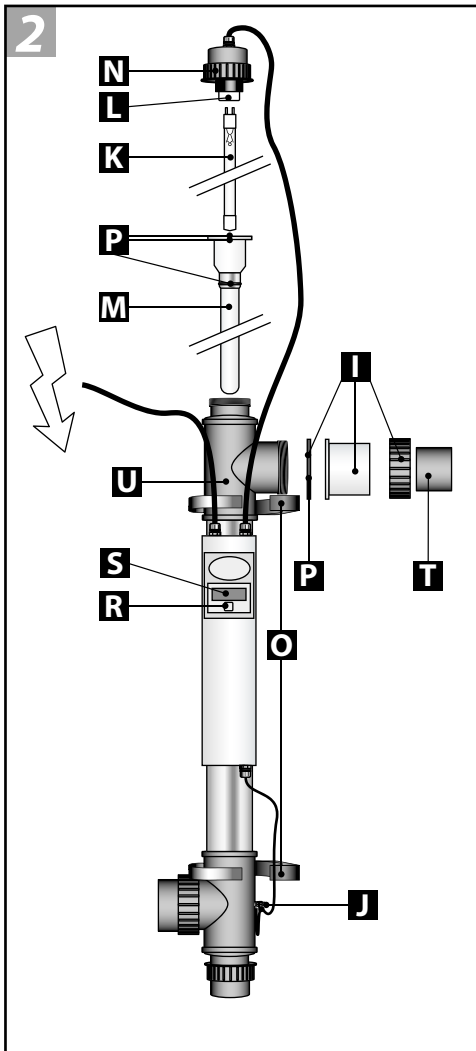
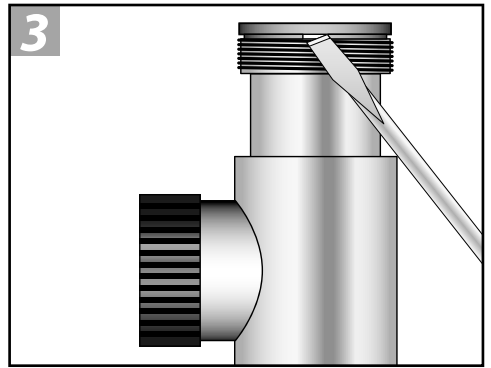
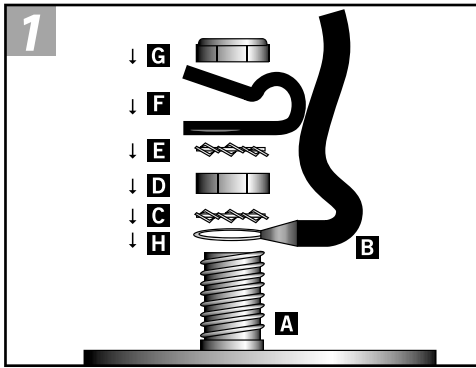
## **Blue Lagoon UV-C Timer 40.000 - 75.000**



# **BLUE LAGOON**

# **UV-C TIMER**

**The easy and friendly way to disinfect your pool**



# Blue Lagoon UV-C Timer 40.000 - 75.000

GB

*Please read through these instructions for use carefully before installing this device.*

## Operation

In the Blue Lagoon UV-C Timer, a UV-C radiation with a wavelength of 253.7 nm is generated by the special Philips UV lamp, ensuring a lethal effect on bacteria (including Legionella bacteria). The Blue Lagoon UV-C Timer will ensure that your pool water is clean, fresh and clear in an efficient and environmentally-friendly manner. The water is led through the UV-C device via a pump. The UV-C radiation neutralises bacteria, viruses and other primitive organisms and stops them from multiplying. The Blue Lagoon UV-C Timer has a built-in high-frequency electronic ballast, which absorbs current fluctuations, thereby protecting the lamp. In addition, the device contains an integrated time meter that accurately monitors the number of operating hours. You can therefore see exactly when the lamp must be replaced. In addition, the stainless steel interior ensures the reflection of the UV-C rays, thereby increasing the efficiency up to 35%. Thanks to the Blue Lagoon UV-C Timer, your swimming pool water will be disinfected efficiently and safely, and the quality of your water will remain excellent.

## Advantages of UV-C treatment:

- Ensures fresh, clean and clear water
- Disinfects water efficiently and safely
- Bound chlorine is broken down by UV-C light
- Protects your pool from germs
- Keeps the formation of mould, bacteria and algae under control
- Can reduce the use of chlorine and other chemicals up to 80%
- Prevents the smell of chlorine and irritation to the skin and eyes (red eyes)
- More environmentally-friendly than traditional methods

## Advantages of the Blue Lagoon UV-C Timer:

- Built-in electronic pre-selector to ensure a smooth power supply
- Up to 35% more UV-C yield as a result of reflection
- Includes a Philips UV-C lamp with 9,000 operating hours
- Integrated adjustable time meter for the UV-C lamp
- Digital indication when the lamp needs replacing
- 316L stainless steel housing
- Easy installation and maintenance
- 2-year guarantee with respect to manufacturing faults
- Earthed
- Ø 63mm to Ø 50mm adapters included in delivery

## Safety

***This device produces harmful radiation. Direct contact could jeopardise the eyes and skin. Only check the operation of the UV-C lamp via the transparent components of the unit.***

- Always remove the plug from the socket before carrying out maintenance or repair work on the unit. Never put the plug in / pull the plug from the socket when you are standing in water or if your hands are wet.
- Keep children away from this device and from the cable.
- The cable of the device cannot be replaced. In case of damage to the power cable, the complete electrical unit must be replaced. Never remove the plug; leave the electrical unit intact. An electrical unit with the plug removed will no longer be covered by the guarantee.
- Never install the unit in an area subject to full sunlight.
- Ensure that there is always water flowing through the unit when the lamp is on.
- Once the device has been switched off, the lamp will remain hot for approximately 10 minutes.
- Do not use the device if any of the components are damaged (in particular the quartz glass).
- Remove the device if there is a risk of freezing during the winter months.
- The stainless steel housing of the device is not suitable for salt water baths with a high salt content. If the salt content is too high, the steel will oxidise and damage the housing.
- This product can only be used according to the guidelines described in these instructions for use.

### Installation of the earth (Drawing 1)

- 1 Pull the cable (B) through the strain relief (F) before fitting the synthetic strain relief (F) onto the earth bolt (A). Position the strain relief (F) at approximately 10 cm from the eye (H) of the earth cable (B).
- 2 Place the eye (H) of the cable (B) onto the earth bolt (A) that is fitted to the housing.
- 3 Then place a toothed lock washer (C), a hexagon nut (D) and another toothed lock washer (E) on top of the eye (H).
- 4 Fit the strain relief (F) on top, creating a loop of  $\varnothing$  5 cm.
- 5 Finally place the lock nut (G) onto the earth bolt (A).
- 6 Once the various nuts have been placed onto the earth bolt (A) in the correct sequence, they can be tightened with a spanner or a ring spanner number 8. Do not tighten too firmly, otherwise you may crack the strain relief. (The transparent nut that was screwed on the earth bolt (A) on delivery has no further use, and can be discarded).

### Installation of the device (Drawing 2)

The Blue Lagoon UV-C Timer must never be installed behind the Ph regulator or the salt electrolysis system in your swimming pool installation. The ideal location to install your device is behind the pump and the filter. Never submerge this device in water. The installation must always take place outside of the pool. Ensure that there is always water flowing through the unit when the lamp is on.

- 1 Determine where the device will be installed. Make sure to leave a free area (+/- 1 metre) in order to be able to remove the lamp (K) / quartz glass (M) for the purpose of replacement and/or maintenance.
- 2 Fit the supplied pipe clips (O) in fixed positions, press the unit into the pipe clips and tighten the three-part coupling (I). Pay hereby attention to the correct position of the sealing rings (P), both with regard to the connections and the quartz glass (see drawing 2).
- 3 Fit the unit into the circuit using the three-part couplings (I). The inlet and outlet of the three-part coupling is  $\varnothing$  63 mm. If your pipes are smaller than 63 mm, you can use the adapter ( $\varnothing$  63 x  $\varnothing$  50 mm) (T). This must be glued onto the three-part coupling (I). On one side of the adapter (T), there is a screw thread on the inside giving the option of fitting an adapter, with a sealing ring (not included in the delivery), onto it if necessary. Adapter sets can be obtained from your distributor (article number B290020).
- 4 Unscrew the screw ring (N) from the housing (U). Remove the UV-C lamp (K) from the supplied case (see packaging) and carefully slide the lamp into the quartz glass (M). Carefully connect the white lamp holder (L) to the UV-C lamp (K) and then screw the screw ring (N) hand-tight onto the housing (U).
- 5 Activate the pump and check the flow and any leakage of the system.
- 6 Put the plug of the UV-C device in a wall socket with a safety ground and fitted with a residual current circuit-breaker. Check whether the lamp is operating by looking through the transparent components of the unit. The unit is switched off by pulling the plug out of the socket.

### Instructions for use of the digital time meter

As soon as the Blue Lagoon UV-C Timer is switched on, the program will carry out a self-test. The display will automatically show the following, one after the other: 8888 (display test); r and software version number; 50H or 60H indication of the mains frequency. Following this, the display will show the meter reading.

When the UVC lamp is switched on for the first time, or after the "reset" function has been used, the value '4500' will appear on the display. A dot next to the digit on the far right of the display will blink every second; this indicates that the counter is running.

The display is automatically set to the factory reading of 4,500 hours. The UV-C lamp operates at 100% radiation for up to 4,500 hours. After 4,500 hours, the radiation will weaken, and may become insufficient to obtain the desired results.

If the UV-C lamp had already been used previously, and is switched on again, the display will indicate the value it had at the time it was switched off earlier. If you had increased or reduced the value of the time meter yourself, the display will indicate the latest counter reading it had before it was switched off.

The settings of the time meter can be modified if you wish. This is carried out as follows:

After holding down the switch (R) underneath the display for 5 seconds, the display will show "rSt", to indicate that the user menu has been selected. Once the switch (R) has been released, the meter indication and "rSt" will blink alternately on the display. By briefly pressing the switch again, it is now possible to step through the menu options. There are 3 available setting options in the menu: "rSt" "UP" and "dn".

- **"rSt"** means (reset): This option enables you to reset the meter indication to the factory setting of 4,500 hours. This selection is confirmed if the meter indication and "rSt" on the display blink alternately. If you hold down the switch (R) for 5 seconds, after which the meter indication 4500 will be displayed, and then release it, the time meter will start counting down from the 4,500 hour value. This selection is used if, for example, you have replaced the lamp, or if you have modified the meter indication yourself and you want to return it to the factory settings.
- **"UP"** means (up): This option enables you to increase the meter indication to the desired hour indication. This selection is confirmed if the selected user setting "UP" and the meter indication on the display blink alternately. Following this, press the switch (R) down for 5 seconds. After 5 seconds, the display will only indicate "UP". You can then release the switch. By briefly pressing the switch, the counter value can now be increased in steps of 500 hours from the value of 4500 up to a maximum value of 9999. The increased value and "UP" will blink alternately on the display. After you have selected the desired hour indication, wait for 10 seconds. After 10 seconds, the selected hour indication will be displayed and the timer will start counting down. If you make a mistake while increasing the meter indication, it is possible to reset the counter to 4500 by keeping the switch pressed down for 5 seconds. The counter value will then be reset to 4500, and a new value can be set.
- **"dn"** means (down): This option enables you to decrease the meter indication to the desired hour indication. This selection is confirmed if the selected user setting "dn" and the meter indication on the display blink alternately. Following this, press the switch (R) down for 5 seconds. After 5 seconds, the display will only indicate "dn". You can then release the switch. By briefly pressing the switch, the counter value can now be decreased in steps of 500 hours from the value of 4500 down to a minimum value of 0000. The decreased value and "dn" will blink alternately on the display. Once you have selected the desired hour indication, wait for 10 seconds. After 10 seconds, the selected hour indication will be displayed and the timer will start counting down. If you make a mistake while decreasing the meter indication, it is possible to reset the counter to 4500 by keeping the switch pressed down for 5 seconds. The counter value will then be reset to 4500, and a new value can be set.

The time meter will indicate in the following manner that the lamp must be replaced:

- From hour position 0672; the display will blink every second. The lamp is to be replaced in 4 weeks' time.
- From hour position 0336; the display will blink every half second; The lamp is to be replaced in 2 weeks' time.
- From hour position 0168; the display will blink every ¼ second; The lamp is to be replaced in 1 week's time.
- At an hour position of 0000; the digits will blink continuously, and the meter will not continue to count down. The lamp must be replaced.

### **Dismantling / Maintenance**

Always switch off the power supply during maintenance/dismantling of the device.

The device must be cleaned twice a year. If there is an increase in algae and/or scale, the quartz glass tube (M) in which the lamp is positioned must be cleaned. The special lamp must be replaced at the latest after 9,000 operating hours. The stainless steel interior can be cleaned with a soft brush.

- 1 Unscrew the three-part couplings (I) and drain the water from the device.
- 2 Unscrew the screw cap (N) and disconnect the lamp (K) from the lamp holder (L). Remove the lamp from the quartz glass and, if necessary, replace the special lamp (K). As these parts are very fragile, caution is essential.
- 3 Carefully remove the quartz glass (M) using a large, flat screwdriver (see drawing 3). Never use force!
- 4 Clean the quartz glass with a suitable agent. Always use a soft cloth to clean the glass in order to prevent scratches.
- 5 Pay attention to the correct position of the 3 sealing rings (P) when replacing the quartz glass in the housing, and carefully introduce the end of the quartz glass into the inlet (Q) (see drawing 4). Never use force!
- 6 Carefully replace the lamp in the quartz glass and connect the lamp (K) to the lamp holder (L). Screw the screw cap (N) onto the housing again.
- 7 The electrical unit of the device is situated in the display box (S) on the device. This display box is glued and cannot be opened. If the electrical unit or the display is replaced, the entire box must be unscrewed and the wiring must be disconnected from the device (see drawing 1). Unscrew the screw top (N) and carefully remove the lamp holder from the lamp. Any loose parts, i.e. of the earth etc., must be carefully retained, as they are not supplied with a new housing or electrical unit. In case of any doubt with regard to the connection, consult a recognised fitter.

8 If the housing needs replacing, the earth (J) and the electrical unit with the display (S) must first be disconnected from the housing (U) (see drawings 1 & 2). Unscrew the electrical unit with display (S) and the lamp holder from the housing. Be sure to carefully retain the various loose parts of the earth, as they are not supplied with a new housing. Remove the lamp (K) and quartz glass (M) from the housing in order to prevent breakage during transport. In case of any doubt with regard to the connection, consult a recognised fitter.

<b>Technical specifications</b>	<b>40,000 l</b>	<b>75,000 l</b>
• Philips TUV T5 lamp	40 Watt	75 Watt
• UV-C output (W)	15 Watt	25 Watt
• UV-C (%) after 4,500 hours	85%	80%
• UV-C (%) after 9,000 hours	0%	0%
• Swimming pool content (l)	40,000 l	75,000 l
• Max. throughput	20,000 l/h	25,000 l/h
• Max. pressure	3 bar	3 bar
• Max. temperature	35°C	35°C
• Min. temperature	0°C	0°C
• Connection size	Ø63 mm/Ø50 mm	Ø63 mm/Ø50 mm
• Length of the device	100 cm	100 cm

#### **UV-C system types**

Article number: B210002 Blue Lagoon UV-C Timer 40,000 l / 40 Watt (230V; 50/60Hz)

Article number: B210003 Blue Lagoon UV-C Timer 75,000 l / 75 Watt (230V; 50/60Hz)

#### **Replacement lamps**

Article number: E800901 Philips Lamp type TUV 36T5 4P-SE (40 Watt)

Article number: E800902 Philips Lamp type TUV 36T5 HO 4P-SE (75 Watt)

#### **Terms of guarantee**

The guarantee of this product covers manufacturing faults for a period of 24 months following the date of purchase. The lamp and the quartz glass are not included in this guarantee. Claims under the guarantee can only be considered if the product is returned post-paid together with a valid purchase receipt. Repairs under the guarantee may exclusively be carried out by the supplier.

Guarantee claims that are caused by errors in the installation or operation of the device will not be considered. Defects originating from poor maintenance are also excluded from the guarantee. The supplier will in no way whatsoever be held responsible for any damage caused by the incorrect operation of the product. The supplier will not be liable for any consequential damage caused by the breakdown of the device.

Complaints regarding transportation damage will only be considered if the damage was established or confirmed on delivery by the carrier or the postal authorities. A claim can only be made against the carrier or the postal authorities if this has been done.

# Blue Lagoon UV-C Timer 40.000 - 75.000

D

**Lesen Sie diese Gebrauchsanweisung vor dem Installieren des Geräts sorgfältig durch.**

## Funktionsweise

Im Blue Lagoon UV-C Timer erzeugt die Philips-UV-Speziellampe eine UV-C-Strahlung von 253,7 nm Wellenlänge, die eine bakterientötende Wirkung (u.a. Legionella-Bakterie) hat. Der Blue Lagoon UV-C Timer sorgt auf effiziente und umweltfreundliche Weise für sauberes, frisches und klares Wasser. Das Wasser wird mit einer Pumpe durch das UV-C-Gerät geführt. Die UV-C-Strahlung neutralisiert Bakterien, Viren und andere primitive Organismen und verhindert ihre Fortpflanzung. Der Blue Lagoon UV-C Timer hat einen eingebauten hochfrequenten elektronischen Ballast. Dieser Ballast nimmt Stromschwankungen auf und schützt dadurch die Lampe. Außerdem verfügt das Gerät über einen integrierten Stundenzähler, der die Zahl der Brennstunden exakt registriert. So können Sie genau sehen, wann die Lampe ausgetauscht werden muss. Außerdem bewirkt die Edelstahl-Innenseite eine Reflexion der UV-C-Strahlung und erhöht so die Effizienz um bis zu 35%. Mit dem Blue Lagoon UV-C Timer wird Ihr Wasser auf effiziente und sichere Weise desinfiziert, und die Wasserqualität bleibt hervorragend.

## Vorteile der UV-C-Behandlung:

- Sorgt für frisches, sauberes und klares Wasser
- Desinfiziert das Wasser auf effiziente und sichere Weise
- UV-C-Licht baut gebundenes Chlor ab
- Schützt Ihr Bad vor Krankheitserregern
- Hält Schimmel-, Bakterien- und Algenbildung unter Kontrolle
- Kann den Einsatz von Chlor und anderen Chemikalien um bis zu 80% verringern
- Verhindert Chlorgeruch und Reizungen an Haut und Augen (rote Augen)
- Besser für die Umwelt als herkömmliche Methoden

## Vorteile des Blue Lagoon UV-C Timer:

- Eingebautes elektronisches Vorschaltgerät für eine gleichmäßige Stromversorgung
- Bis zu 35% mehr UV-C-Ertrag durch Reflexion
- Ausgestattet mit einer Philips-UV-C-Lampe mit 9000 Brennstunden
- Integrierter, einstellbarer Stundenzähler für die UV-C-Lampe
- Zeigt digital an, wann die Lampe ausgetauscht werden muss
- 316L-Edelstahl-Gehäuse
- Einfache Installation und Wartung
- 2 Jahre Garantie auf Herstellungsfehler
- Geerdet
- Reduzierstücke (von Ø 63 mm auf Ø 50 mm) werden mitgeliefert

## Sicherheit

**Dieses Gerät erzeugt schädliche Strahlen. Direkter Kontakt kann für Augen und Haut gefährlich sein.**

**Prüfen Sie die Funktion der UV-C-Lampe deshalb nur über die transparenten Teile der Einheit.**

- Immer den Stecker aus der Steckdose ziehen, bevor Wartungs- oder Reparaturarbeiten am Gerät ausgeführt werden. Den Stecker nie in die Steckdose stecken oder aus der Steckdose ziehen, wenn Sie in einer Pfütze stehen oder nasse Hände haben.
- Kinder von Gerät und Kabel fernhalten.
- Das Kabel dieses Geräts kann nicht ausgetauscht werden. Bei Beschädigung des Stromkabels muss der gesamte elektrische Teil des Geräts ausgetauscht werden. Den Stecker nie entfernen, sondern den elektrischen Teil unversehrt lassen. Wenn der Stecker abgeschnitten wurde, fällt der elektrische Teil nicht unter die Garantie.
- Das Gerät nicht an einer Stelle installieren, wo es der vollen Sonne ausgesetzt ist.
- Dafür sorgen, dass immer Wasser durch die Einheit strömt, wenn die Lampe brennt.
- Nach Ausschalten des Geräts bleibt die Lampe noch ca. 10 Minuten warm.
- Wenn Teile (insbesondere das Quarzglas) beschädigt sind, darf das Gerät nicht benutzt werden.
- Bei Einfriergefahr in den Wintermonaten das Gerät entfernen.
- Das Edelstahlgehäuse des Geräts ist nicht für Salzwasserbäder mit hohem Salzgehalt geeignet. Bei zu hohem Salzgehalt oxidiert der Stahl und das Gehäuse wird beschädigt.
- Dieses Produkt darf nur den in dieser Gebrauchsanweisung beschriebenen Richtlinien entsprechend eingesetzt werden.

### Installation der Erdung (Zeichnung 1)

- 1 Bevor Sie die Kunststoff-Zugentlastung (F) am Massebolzen (A) anbringen, müssen Sie erst das Kabel (B) durch die Zugentlastung (F) ziehen. Die Zugentlastung (F) in ca. 10 cm Abstand zu Öse (H) des Massekabels (B) anbringen.
- 2 Die Öse (H) von Kabel (B) über Massebolzen (A) anbringen, der am Gehäuse befestigt ist.
- 3 Anschließend eine Spanscheibe (C), Sechskantmutter (D) und noch eine Spanscheibe (E) an der Öse (H) anbringen.
- 4 Zugentlastung (F) darauf befestigen, so dass eine Schleife von  $\varnothing$  5 cm entsteht.
- 5 Zuletzt die Sicherungsmutter (G) an Massebolzen (A) anbringen.
- 6 Wenn alle Muttern in der richtigen Reihenfolge an Massebolzen (A) angebracht wurden, kann dieser mit einem 8er Steck- oder Ringschlüssel festgezogen werden. Ziehen Sie den Bolzen nicht zu fest an, weil sonst die Zugentlastung reißen kann. (Die transparente Mutter, die bei Lieferung auf den Massebolzen (A) geschraubt ist, hat keine weitere Funktion und kann weggeworfen werden.)

### Installation des Geräts (Zeichnung 2)

Installieren Sie den Blue Lagoon UV-C Timer auf keinen Fall unmittelbar nach dem pH-Regler oder dem Salzelektrolysesystem an Ihrer Schwimmbadanlage. Am besten geeignet für die Installation ist die Stelle unmittelbar nach dem Filter. Das Gerät auf keinen Fall unter Wasser tauchen. Das Gerät immer außerhalb des Schwimmbads installieren. Dafür sorgen, dass immer Wasser durch die Einheit strömt, wenn die Lampe brennt.

- 1 Die Stelle bestimmen, an der das Gerät installiert werden soll. Dafür sorgen, dass genug Platz bleibt (ca. 1 Meter), um Lampe (K)/Quarzglas (M) zu entfernen (für Austausch und/oder Wartung).
- 2 Die mitgelieferten Rohrschellen (O) an einer festen Stelle anbringen, die Einheit in den Rohrschellen befestigen und die dreiteilige Kupplung (I) festziehen. Dabei auf die richtige Position der Dichtringe (P) sowohl an den Anschlüssen als auch am Quarzglas achten (siehe Zeichnung 2).
- 3 Die Einheit mit den dreiteiligen Kupplungen (I) im Kreis anbringen. Ein- und Auslass der dreiteiligen Kupplung haben den Durchmesser  $\varnothing$  63 mm. Wenn Ihre Leitungen kleiner sind als 63 mm, können Sie das Reduzierstück (T) ( $\varnothing$  63 x  $\varnothing$  50 mm) verwenden. Dieses muss mit der dreiteiligen Kupplung (I) verleimt werden. Reduzierstück (T) hat innen an einer Seite Gewinde, an dem eventuell eine Reduziertülle einschließlich Dichtring (nicht mitgeliefert) montiert werden kann. Reduziersätze erhalten Sie bei Ihrem Verteiler (Artikelnummer B290020).
- 4 Den Schraubring (N) vom Gehäuse (U) abschrauben. Die UV-C-Lampe (K) aus dem mitgelieferten Köcher (siehe Verpackung) nehmen und die Lampe vorsichtig in das Quarzglas (M) schieben. Die weiße Lampenfassung (L) vorsichtig mit der UV-C-Lampe (K) verbinden und anschließend den Schraubring (N) handfest auf das Gehäuse (U) schrauben.
- 5 Die Pumpe in Betrieb setzen und das System auf Durchfluss und Dichtheit prüfen.
- 6 Den Stecker des UV-C-Geräts in eine Schukosteckdose mit Erdschlussschalter stecken. Durch die transparenten Teile des Geräts prüfen, ob die Lampe brennt. Um das Gerät auszuschalten, ziehen Sie den Stecker aus der Steckdose.

### Gebrauchsanweisung für den digitalen Stundenzähler

Wenn der Blue Lagoon UV-C Timer eingeschaltet ist, führt das Programm einen Selbsttest aus. Auf dem Display erscheinen automatisch nacheinander folgende Anzeigen: 8888 (Displaytest); r und Softwareversionsnummer; 50H oder 60H Anzeige der Netzfrequenz. Anschließend erscheint auf dem Display der Zählerstand.

Wenn die UV-C-Lampe das erste Mal eingeschaltet wird oder nachdem die "Reset"-Funktion ausgeführt wurde, erscheint der Wert "4500" auf dem Display. Bei der Ziffer ganz rechts auf dem Display blinkt im Sekundentakt ein Punkt, der anzeigt, dass der Zähler läuft.

Auf dem Display wird automatisch der werkseitig eingestellte Zählerstand von 4500 Stunden angezeigt. Bis 4500 Stunden erreicht die UV-C-Lampe 100% ihrer wirksamen Strahlung. Nach 4500 Stunden wird die Strahlung schwächer und reicht möglicherweise nicht mehr aus, um das gewünschte Ergebnis zu erzielen. Wenn Sie die UV-C-Lampe schon länger verwenden und diese schon einmal eingeschaltet war, zeigt das Display nach dem Einschalten wieder den Wert an, der dort vor dem Ausschalten der UV-C-Lampe stand. Wenn Sie den Stundenzählerstand selbst erhöht oder verringert haben, wird der letzte Zählerstand angezeigt, der vor dem Ausschalten auf dem Display stand.

Sie können die Einstellungen des Stundenzählers ggf. ändern. Dabei gehen Sie folgendermaßen vor:

Wenn Sie den Schalter (R) unter dem Display 5 Sekunden eingedrückt halten, erscheint auf dem Display "rSt", um anzuzeigen, dass das Benutzermenü gewählt wurde. Nach Loslassen des Schalters (R) blinken auf dem Display abwechselnd der Zählerstand und "rSt". Wenn jetzt der Schalter kurz eingedrückt wird, werden die Möglichkeiten des Menüs durchlaufen. Das Menü enthält drei Einstellmöglichkeiten: "rSt" "UP" und "dn".



- **“rSt”** bedeutet (reset): Damit wird der Zählerstand auf die Werkseinstellung von 4500 Stunden zurückgesetzt. Diese Wahl wird auf dem Display durch abwechselndes Blinken von Zählerstand und “rSt” bestätigt. Wenn Sie den Schalter (R) 5 Sekunden eingedrückt halten (Zählerstand 4500 wird angezeigt) und dann wieder loslassen, beginnt der Stundenzähler von der Stundenzahl 4500 aus rückwärts zu zählen. Diese Option wählen Sie, wenn Sie z.B. die Lampe ausgetauscht haben oder wenn Sie den Zählerstand selbst geändert haben und ihn wieder auf die Werkseinstellung zurücksetzen wollen.
- **“UP”** bedeutet (up): Hiermit können Sie den Zählerstand auf den gewünschten Zählerstand erhöhen. Diese Wahl wird auf dem Display durch abwechselndes Blinken der gewählten Benutzereinstellung “UP” und des Zählerstands bestätigt. Anschließend müssen Sie den Schalter (R) 5 Sekunden eingedrückt halten. Nach 5 Sekunden steht auf dem Display nur noch “UP”. Jetzt müssen Sie den Schalter loslassen. Durch kurzes Eindrücken des Schalters kann der Zählerwert ab 4500 in Schritten von 500 Stunden auf maximal 9999 erhöht werden. Der erhöhte Wert blinkt auf dem Display abwechselnd mit “UP”. Wenn der gewünschte Zählerstand erreicht ist, warten Sie 10 Sekunden. Nach 10 Sekunden erscheint die gewählte Stundenzahl, und der Timer beginnt rückwärts zu zählen. Wenn Sie sich z.B. beim Erhöhen des Zählerstands geirrt haben, können Sie den Zähler wieder auf 4500 zurücksetzen, indem Sie den Schalter 5 Sekunden eingedrückt halten. Der Zählerstand beträgt dann wieder 4500, und es kann ein neuer Wert eingestellt werden.
- **“dn”** bedeutet (down): Hiermit können Sie den Zählerstand auf die gewünschte Stundenzahl verringern. Diese Wahl wird auf dem Display durch abwechselndes Blinken der gewählten Benutzereinstellung “dn” und des Zählerstands bestätigt. Anschließend müssen Sie den Schalter (R) 5 Sekunden eingedrückt halten. Nach 5 Sekunden steht auf dem Display nur noch “dn”. Jetzt müssen Sie den Schalter loslassen. Durch kurzes Eindrücken des Schalters kann der Zählerstand ab 4500 in Schritten von 500 Stunden auf minimal 0000 verringert werden. Der verringerte Wert blinkt auf dem Display abwechselnd mit “dn”. Wenn der gewünschte Zählerstand erreicht ist, warten Sie 10 Sekunden. Nach 10 Sekunden erscheint die gewählte Stundenzahl, und der Timer beginnt rückwärts zu zählen. Wenn Sie sich z.B. beim Verringern des Zählerstands geirrt haben, können Sie den Zähler wieder auf 4500 zurücksetzen, indem Sie den Schalter 5 Sekunden eingedrückt halten. Der Zählerstand beträgt dann wieder 4500, und es kann ein neuer Wert eingestellt werden.

Der Stundenzähler zeigt auf die folgende Weise an, dass die Lampe ausgetauscht werden muss.

- Ab Zählerstand 0672: Display blinkt im Sekundentakt. Die Lampe muss in 4 Wochen ausgetauscht werden.
- Ab Zählerstand 0336: Display blinkt alle halbe Sekunde. Die Lampe muss in 2 Wochen ausgetauscht werden.
- Ab Zählerstand 0168: Display blinkt alle 1/4 Sekunde. Die Lampe muss in 1 Woche ausgetauscht werden.
- Bei einem Zählerstand von 0000 blinken die Ziffern in hohem Tempo weiter, und der Zähler zählt nicht mehr zurück. Die Lampe muss ausgetauscht werden.

## Demontage/Wartung

Bei Demontage/Wartung des Geräts grundsätzlich erst die Stromzufuhr ausschalten.

Das Gerät muss 2-mal im Jahr gereinigt werden. Wenn Algenwachstum und/oder Kalkablagerungen zunehmen, muss die Quarzglasröhre (**M**), in der die Lampe steckt, gereinigt werden. Die Speziallampe muss spätestens nach 9000 Brennstunden ausgetauscht werden. Die Edelstahl-Innenverkleidung mit einer weichen Bürste reinigen.

- 1 Die dreiteiligen Kupplungen (**I**) lösen und das Wasser aus dem Gerät strömen lassen.
- 2 Den Schraubring (**N**) abschrauben und die Lampe (**K**) von der Lampenfassung (**L**) trennen. Die Lampe aus dem Quarzglas nehmen und erforderlichenfalls die Speziallampe (**K**) austauschen. Vorsicht ist geboten, weil es sich hier um sehr empfindliche Teile handelt.
- 3 Mit einem großen flachen Schraubenzieher das Quarzglas (**M**) vorsichtig entfernen (**siehe Zeichnung 3**). Auf keinen Fall gewaltsam vorgehen!
- 4 Das Quarzglas mit einem geeigneten Mittel reinigen. Zum Reinigen des Quarzglases immer ein weiches Tuch verwenden und Kratzer vermeiden.
- 5 Beim Wiedereinsetzen des Quarzglases in das Gehäuse auf die richtige Lage der 3 Dichtringe (**P**) achten und das Ende des Quarzglases vorsichtig in das Aufnahmeteil (**Q**) schieben (**siehe Zeichnung 4**). Auf keinen Fall gewaltsam vorgehen!

- 6 Die Lampe vorsichtig wieder in das Quarzglas einsetzen und die Lampe (K) mit der Lampenfassung (L) verbinden. Schraubring (N) wieder auf das Gehäuse schrauben.
- 7 Der elektrische Teil des Geräts befindet sich im Displaygehäuse (S) am Gerät. Das Displaygehäuse ist geklebt und kann nicht geöffnet werden. Zum Auswechseln des elektrischen Teils oder des Displays muss das ganze Gehäuse losgeschraubt und die Verkabelung des Geräts gelöst werden (**siehe Zeichnung 1**). Schraubring (N) losschrauben und die Lampenfassung vorsichtig von der Lampe lösen. Die verschiedenen Einzelteile, z.B. für die Erdung, immer gut aufbewahren. Diese Teile werden nicht mit einem neuen Gehäuse oder elektrischen Teil mitgeliefert. Im Zweifelsfall für den Anschluss einen anerkannten Installateur hinzuziehen.
- 8 Wenn das Gehäuse ausgetauscht werden soll, müssen erst die Erdung (J) und der elektrische Teil mit Display (S) vom Gehäuse (U) gelöst werden (**siehe Zeichnung 1 & 2**). Elektrischen Teil mit Display (S) und Lampenfassung vom Gehäuse abschrauben. Die verschiedenen Einzelteile der Erdung immer gut aufbewahren. Sie werden nicht mit einem neuen Gehäuse mitgeliefert. Lampe (K) und Quarzglas (M) aus dem Gehäuse entfernen, um Bruchschäden beim Transport zu vermeiden. Im Zweifelsfall für den Anschluss einen anerkannten Installateur hinzuziehen.

### Technische Daten

	40.000 Liter	75.000 Liter
• Lampe Philips TUV T5	40 Watt	75 Watt
• UV-C-Leistung (W)	15 Watt	25 Watt
• UV-C (%) nach 4.500 Stunden	85%	80%
• UV-C (%) nach 9.000 Stunden	0%	0%
• Schwimmbadinhalt (Liter)	40.000 Liter	75.000 Liter
• Max. Durchfluss	20.000 l/h	25.000 l/h
• Max. Druck	3 bar	3 bar
• Max. Temperatur	35°C	35°C
• Min. Temperatur	0°C	0°C
• Anschluss	Ø63mm/Ø50mm	Ø63mm/Ø50mm
• Länge des Geräts	100cm	100cm

### Typ UV-C-Systeme

Artikelnummer: B210002 Blue Lagoon UV-C Timer 40.000L / 40 Watt (230V; 50/60Hz)

Artikelnummer: B210003 Blue Lagoon UV-C Timer 75.000L / 75 Watt (230V; 50/60Hz)

### Ersatzlampen

Artikelnummer: E800901 Philips-Lampe Typ TUV 36T5 4P-SE (40 Watt)

Artikelnummer: E800902 Philips-Lampe Typ TUV 36T5 HO 4P-SE (75 Watt)

### Garantiebedingungen

Auf das Produkt wird für die Dauer von 24 Monaten nach dem Kaufdatum eine Garantie gegen Herstellungsfehler gewährt. Lampe und Quarzglas sind von der Garantie ausgeschlossen. Garantiefälle können nur bearbeitet werden, wenn das Produkt portofrei zusammen mit einem gültigen Kaufnachweis eingeschickt wird. Reparaturen im Rahmen der Garantie dürfen nur vom Lieferanten ausgeführt werden. Garantieansprüche infolge von Installations- oder Bedienungsfehlern werden nicht anerkannt. Aus mangelhafter Wartung resultierende Schäden sind ebenfalls von der Garantie ausgeschlossen. Der Lieferant ist in keiner Weise für Schäden verantwortlich, die durch einen falschen Einsatz des Geräts verursacht werden. Der Lieferant kann nicht für Folgeschäden haftbar gemacht werden, die durch den Ausfall des Geräts verursacht werden. Reklamationen aufgrund von Transportschäden können nur angenommen werden, wenn die Beschädigung bei der Lieferung durch die Spedition oder das Postunternehmen festgestellt oder bestätigt wird. Nur dann ist es möglich, die Spedition oder das Postunternehmen haftbar zu machen.

***Avant d'installer cet appareil, lire attentivement cette notice d'utilisation.***

## **Fonctionnement**

Dans le Blue Lagoon UV-C Timer, un rayonnement UV-C d'une longueur d'onde de 253,7 nm est généré par la lampe UV spéciale Philips, ce qui détruit les bactéries (comme la bactérie de la légionellose (maladie des vétérans/légionnaires)). Le Blue Lagoon UV-C Timer garantit, de manière efficace et écologique, une eau propre, fraîche et limpide. L'eau est acheminée dans l'appareil UV-C au moyen d'une pompe. Le rayonnement UV-C neutralise les bactéries, les virus et d'autres organismes primitifs et empêche leur prolifération. Le Blue Lagoon UV-C Timer est doté d'un ballast électronique haute fréquence intégré. Ce ballast absorbe les fluctuations de courant et protège ainsi la lampe. L'appareil comporte également un compteur horaire qui enregistre avec précision le nombre d'heures de service de la lampe. Vous voyez ainsi exactement quand il faut remplacer la lampe. De plus, la section interne en acier inoxydable provoque une réflexion du rayonnement UV-C, ce qui augmente l'efficacité jusqu'à 35%. Grâce au Blue Lagoon UV-C Timer, votre eau est désinfectée de manière efficace et sûre et la qualité de votre eau reste excellente.

## **Avantages du traitement UV-C :**

- Garantit une eau fraîche, propre et limpide
- Désinfecte l'eau de manière efficace et sûre
- La lumière UV-C casse les liaisons chlorées
- Protège votre piscine contre les germes pathogènes
- Maîtrise la formation des moisissures, des bactéries et des algues
- Peut réduire de 80% l'utilisation de chlore et d'autres produits chimiques
- Evite l'apparition d'air chloré et l'irritation des yeux et de la peau (yeux rouges)
- Ménage l'environnement en comparaison avec les méthodes classiques

## **Avantages du Blue Lagoon UV-C Timer :**

- Ballast électronique intégré, pour une alimentation en courant uniforme
- Rendement UV-C jusqu'à 35% supérieur grâce à la réflexion
- Doté d'une lampe UV-C Philips présentant 9000 heures de service
- Compteur horaire réglable et intégré pour la lampe UV-C
- Indique numériquement le moment où la lampe doit être remplacée
- Logement en acier inoxydable 316L
- Installation et entretien aisés
- 2 ans de garantie sur les vices de fabrication
- Doté d'une mise à la terre
- Pièces de réduction Ø 63mm à Ø 50mm livrées

## **Sécurité**

***Cet appareil produit un rayonnement nocif. Un contact direct peut entraîner des lésions aux yeux et à la peau.***

***Par conséquent, contrôler le fonctionnement de la lampe UV exclusivement par le biais des pièces transparentes de l'unité.***

- Toujours retirer la fiche de la prise murale avant de procéder à des travaux d'entretien ou de réparation à l'appareil. Ne jamais insérer/retirer la fiche de la prise murale lorsque les mains sont mouillées ou lorsque les pieds se trouvent dans une flaque d'eau.
- Tenir les enfants à l'écart de cet appareil et du câble électrique.
- Le câble de cet appareil n'est pas remplaçable. En cas de dommage au câble de courant, il faut remplacer la section électrique complète de l'appareil. Ne jamais déposer la fiche, mais laisser la section électrique intacte. Une section électrique avec une fiche coupée n'est pas couverte par la garantie.
- Ne jamais installer l'appareil en plein soleil.
- Lorsque la lampe est allumée, veiller à ce que de l'eau circule toujours à travers l'unité.
- Après désactivation de l'appareil, la lampe reste chaude pendant encore 10 minutes environ.
- En cas d'endommagement de pièces (surtout du verre de quartz), ne pas utiliser l'appareil.
- En cas de risque de gel en hiver, ranger l'appareil.
- Le logement en acier inoxydable de l'appareil ne convient pas pour des piscines d'eau salée avec une teneur en sel élevée. En cas d'une teneur en sel trop élevée, l'acier s'oxyde et le logement présente des dommages.
- Ce produit doit uniquement être utilisé conformément aux directives reprises dans cette notice d'utilisation.

### Installation du câble de mise à la terre (Figure 1)

- 1 Avant de monter le serre-câble plastique (F) sur la vis de mise à la terre (A), il faut tirer le câble (B) à travers le serre-câble (F). Placer le serre-câble (F) à environ 10 cm de l'oeil (H) du câble de mise à la terre (B).
- 2 Placer l'oeil (H) du câble (B) sur la vis de mise à la terre (A) fixée sur le logement.
- 3 Placer ensuite une bague de retenue dentée (C), un écrou six-pans (D) et à nouveau une bague de retenue dentée (E) sur l'oeil (H).
- 4 Fixer le serre-câble (F) sur ces pièces de sorte à constituer une boucle de Ø 5cm.
- 5 Placer en dernier lieu l'écrou-frein (G) sur la vis de mise à la terre (A).
- 6 Lorsque les divers écrous sont placés dans l'ordre correct sur la vis de mise à la terre (A), ils peuvent être serrés au moyen d'une clé à fourche ou polygonale numéro 8. Ne pas serrer excessivement, sinon le serre-câble pourrait se fissurer.

### Installation de l'appareil (Figure 2)

Il est interdit de placer le Blue Lagoon UV-C Timer directement en aval du régulateur de PH ou du système d'électrolyse de sel de la piscine. L'emplacement idéal pour l'appareil est directement en aval du filtre. Ne jamais immerger cet appareil. Toujours l'installer à l'extérieur de la piscine. Veiller à ce que de l'eau circule toujours à travers l'unité lorsque la lampe est allumée.

- 1 Déterminer la position souhaitée de l'appareil. Veiller à laisser suffisamment d'espace (+/- 1 m.) afin de pouvoir procéder au remplacement et/ou à l'entretien de la lampe (K)/du verre de quartz (M).
- 2 Monter les pinces de tube (O) en un endroit ferme, fixer l'unité dans les pinces de tube et serrer le raccord trois pièces (I). Veiller au positionnement correct des bagues d'étanchéité (P) à l'endroit tant des raccords que du verre de quartz (voir figure 2).
- 3 Monter l'unité dans le circuit au moyen des raccords trois pièces (I). La section d'alimentation et d'échappement du raccord trois pièces est de Ø 63 mm. Si les conduites sont plus petites que 63 mm, utiliser la pièce de réduction (Ø 63 x Ø 50 mm) (T). Il faut l'encoller sur le raccord trois pièces (I). La section interne de la pièce de réduction (T) comporte d'un côté un filetage qui permet de poser éventuellement un tulle de réduction avec bague d'étanchéité (pas livrés). Pour des jeux de réduction, consulter le distributeur (référence B290020).
- 4 Détacher la bague à vis (N) du logement (U). Sortir la lampe UV-C (K) de l'étui livré (voir emballage) et glisser la lampe avec précaution dans le verre de quartz (M). Coupler avec précaution le culot de lampe blanc (L) à la lampe UV-C (K) et visser ensuite la bague à vis (N) à la main sur le logement (U).
- 5 Activer la pompe et s'assurer que l'eau circule dans le système et qu'il n'y a pas de fuites.
- 6 Insérer la fiche de l'appareil UV-C dans une prise murale avec mise à la terre et dotée d'un interrupteur de défaut de terre. S'assurer que la lampe est allumée par le biais des pièces transparentes de l'appareil. Pour désactiver complètement l'appareil, retirer la fiche de la prise murale.

### Mode d'emploi du compteur horaire numérique

Lorsque le Blue Lagoon UV-C Timer est activé, le programme procède à un autodiagnostic. L'écran affiche automatiquement et successivement les indications suivantes : 8888 : test de l'écran ; r et numéro de version du logiciel ; 50H ou 60H, indication de la fréquence du réseau. Ensuite, l'écran affiche le statut du compteur.

Lorsque la lampe UVC est activée pour la première fois ou après utilisation de la fonction "réinitialisation", la valeur 4500 s'affiche sur l'écran. A proximité du chiffre à l'extrême droite de l'écran, un point clignote chaque seconde pour indiquer que le compteur est en service.

L'écran affiche automatiquement la valeur de compteur 4500 heures réglée en usine. Jusqu'à 4500 heures, le rayonnement de la lampe UV-C agit à 100%. Après 4500 heures, le rayonnement décroît et peut être insuffisant pour obtenir les résultats souhaités.

Si la lampe UVC est utilisée depuis un certain temps déjà et si elle est désactivée, l'écran affiche, après la réactivation, la valeur consignée avant la désactivation de la lampe UV-C. Si la valeur du compteur horaire a été augmentée ou diminuée par l'utilisateur, la dernière valeur avant sa désactivation s'affiche.

Le cas échéant, il est possible de modifier les réglages du compteur horaire. Procéder comme suit :

Après avoir maintenu enfoncé durant 5 secondes l'interrupteur (R) sous l'écran, ce dernier affiche "rSt" pour indiquer que le menu utilisateur a été sélectionné. Après avoir relâché l'interrupteur (R), la valeur du compteur et "rSt" clignotent sur l'écran. En appuyant ensuite brièvement sur l'interrupteur, il est possible de naviguer parmi les paramètres du menu. Il existe 3 possibilités de paramétrage : "rSt" "UP" et "dn".

- "**rSt**" signifie (reset) : permet de remettre le compteur horaire sur la valeur usine de 4500 heures.

Cette sélection est confirmée par le clignotement successif de la valeur du compteur et de "rSt" sur l'écran. Si l'interrupteur (R) est maintenu enfoncé durant 5 secondes, ce qui entraîne l'affichage de la valeur 4500, et est ensuite relâché, le compteur horaire commence le compte à rebours à partir de la valeur 4500 heures. Cette sélection est utilisée par exemple après le remplacement de la lampe ou après modification de la valeur du compteur et retour à la valeur usine.

- "**UP**" signifie (up) : permet d'augmenter la valeur du compteur à celle souhaitée.

Cette sélection est confirmée par le clignotement successif sur l'écran du paramètre utilisateur sélectionné "UP" et de la valeur horaire. Ensuite, tenir l'interrupteur (R) enfoncé durant 5 secondes. Après 5 secondes, l'écran n'affiche plus que "UP". Il faut alors relâcher l'interrupteur.

En enfonçant brièvement l'interrupteur, la valeur du compteur peut être augmentée par paliers de 500 heures à partir de 4500 jusqu'à une valeur maximale de 9999. La valeur augmentée et "UP" clignotent successivement sur l'écran.

Lorsque la valeur voulue est sélectionnée, attendre 10 secondes. Après 10 secondes, la valeur sélectionnée s'affiche sur l'écran et le compte à rebours commence.

Si, durant l'augmentation de la valeur horaire, une erreur est commise, il est possible de remettre la valeur du compteur horaire sur 4500 en maintenant l'interrupteur enfoncé durant 5 secondes. La valeur horaire repasse alors à 4500 et une nouvelle valeur peut être réglée.

- "**dn**" signifie (down): permet de diminuer la valeur du compteur à celle souhaitée.

Cette sélection est confirmée par le clignotement successif sur l'écran du paramètre utilisateur sélectionné "dn" et de la valeur horaire.

Ensuite, tenir l'interrupteur (R) enfoncé durant 5 secondes. Après 5 secondes, l'écran n'affiche plus que "dn". Il faut alors relâcher l'interrupteur.

En enfonçant brièvement l'interrupteur, la valeur du compteur peut être diminuée par paliers de 500 heures à partir de 4500 jusqu'à une valeur minimale de 0000. La valeur réduite et "dn" clignotent successivement sur l'écran.

Lorsque la valeur voulue est sélectionnée, attendre 10 secondes. Après 10 secondes, la valeur sélectionnée s'affiche sur l'écran et le compte à rebours commence.

Si, durant la diminution de la valeur horaire, une erreur est commise, il est possible de remettre la valeur du compteur horaire sur 4500 en maintenant l'interrupteur enfoncé durant 5 secondes. La valeur horaire repasse alors à 4500 et une nouvelle valeur peut être réglée.

Le compteur horaire indique comme suit que le remplacement de la lampe s'impose :

- Dès la valeur horaire 0672 : l'écran clignote chaque seconde. La lampe doit être remplacée dans 4 semaines.

- Dès la valeur horaire 0336 : l'écran clignote chaque demi seconde. La lampe doit être remplacée dans 2 semaines.

- Dès la valeur horaire 0168 : l'écran clignote chaque quart de seconde. La lampe doit être remplacée dans 1 semaine.

- A la valeur horaire 0000 : les chiffres clignotent rapidement et constamment et le compte à rebours est terminé. La lampe doit être remplacée.

## Démontage/Entretien

Lors du démontage/de l'entretien de l'appareil, toujours couper l'alimentation de courant.

L'appareil doit être nettoyé 2 fois par an. Lorsque la croissance des algues est/ou l'entartrage augmente, il faut nettoyer le tube en verre de quartz (**M**) dans lequel la lampe est insérée. La lampe spéciale doit être remplacée au plus tard après 9.000 heures de service. La section intérieure en acier inoxydable se nettoie avec une brosse douce.

1 Desserrer les raccords trois pièces (**I**) et laisser s'écouler l'eau hors de l'appareil.

2 Desserrer la bague à vis (**N**) et désolidariser la lampe (**K**) du colot de lampe (**L**). Retirer la lampe du verre de quartz et, le cas échéant, remplacer la lampe spéciale (**K**). Procéder avec prudence étant donné que ces pièces sont particulièrement fragiles.

3 Déposer avec précaution le verre de quartz (**M**) au moyen d'un grand tournevis plat (**voir figure 3**). Ne jamais forcer !

4 Nettoyer le verre de quartz avec un produit approprié. Toujours utiliser un chiffon doux pour nettoyer le verre, éviter toute rayure.

5 Lors de la pose du verre de quartz dans le logement, veiller au positionnement correct des 3 bagues d'étanchéité (**P**) et glisser avec précaution l'extrémité du verre de quartz dans la pièce de serrage (**Q**) (**voir figure 4**). Ne jamais forcer !

6 Poser avec précaution la lampe dans le verre de quartz et coupler la lampe (**K**) au colot de lampe (**L**). Visser à nouveau la bague à vis (**N**) sur le logement.

7 La section électrique de l'appareil se trouve dans le boîtier de l'écran (**S**). Ce boîtier est collé et impossible à ouvrir. Lors du remplacement de la section électrique, il faut dévisser le boîtier complet et détacher le câblage de l'appareil (**voir figure 1**). Dévisser la bague à vis (**N**) et

détacher avec précaution le culot de la lampe. Veiller à conserver soigneusement les diverses pièces telles la mise à la terre, etc. Celles-ci ne sont pas livrées avec un logement neuf ou une section électrique neuve. En cas de doute concernant le branchement, consulter un installateur agréé.

- 8 En cas de remplacement du logement, il faut d'abord détacher la mise à la terre (J) et la section électrique avec l'écran (S) du logement (U) (voir figures 1 & 2). Dévisser la section électrique avec l'écran (S) et le culot de lampe du logement. Veiller à conserver soigneusement les diverses pièces de la mise à la terre. Celles-ci ne sont pas livrées avec un logement neuf. Retirer la lampe (K) et le verre de quartz (M) du logement afin d'éviter toute brisure lors du transport. En cas de doute concernant le branchement, consulter un installateur agréé.

<b>Caractéristiques techniques</b>	<b>40.000 L</b>	<b>75.000 L</b>
• Lampe Philips TUV T5	40 watts	75 watts
• Puissance UV-C (W)	15 watts	25 watts
• UV-C (%) après 4.500 heures	85%	80%
• UV-C (%) après 9.000 heures	0%	0%
• Capacité de la piscine (L.)	40.000 L	75.000 L
• Débit max.	20.000 l/h	25.000 l/h
• Pression max.	3 bar	3 bar
• Température max.	35°C	35°C
• Température min.	0°C	0°C
• Raccord	Ø63mm/Ø50mm	Ø63mm/Ø50mm
• Longueur de l'appareil	100cm	100cm

#### **Type de systèmes UV-C**

Référence : B210002 Blue Lagoon UV-C Timer 40.000L / 40 watts (230V; 50/60Hz)

Référence : B210003 Blue Lagoon UV-C Timer 75.000L / 75 watts (230V; 50/60Hz)

#### **Lampes**

Référence : E800901 Lampe Philips type TUV 36T5 4P-SE (40 watts)

Référence : E800902 Lampe Philips type TUV 36T5 HO 4P-SE (75 watts)

#### **Conditions de garantie**

Le produit est garanti contre tout vice de fabrication durant 24 mois à compter de la date d'achat. La lampe et le verre de quartz sont exclus de la garantie. Les demandes de garantie ne sont traitées que si le produit a été renvoyé franc de port et accompagné d'un titre d'achat valable. Les réparations au titre de la garantie doivent être réalisées exclusivement par le fournisseur. Nous rejetons expressément toute demande de garantie suite à des erreurs d'installation et de commande. Les défauts dus à un entretien négligent ne sont pas couverts par la garantie. Le fournisseur rejette toute responsabilité pour tout dommage suite à une utilisation erronée du produit. Les dommages consécutifs dus à une panne de l'appareil ne sont pas couverts par la garantie. Les réclamations relatives à des dommages dus au transport sont uniquement acceptées si le dommage a été constaté ou confirmé à la réception de la livraison par l'expéditeur ou les postes. Dans ce seul cas, il est possible d'invoquer la responsabilité de l'expéditeur ou des postes.

**Leest u voor het installeren van dit apparaat eerst zorgvuldig deze gebruiksaanwijzing.**

## Werking

In de Blue Lagoon UV-C Timer wordt een UV-C straling gegenereerd van 253,7 nm golflengte door de speciale Philips UV lamp, welke zorgt voor een dodende werking op bacteriën (o.a. de legionella bacterie). De Blue Lagoon UV-C Timer zorgt op een efficiënte en milieuvriendelijke wijze voor schoon, fris en helder water. Het water wordt d.m.v. een pomp door het UV-C apparaat gevoerd. De UV-C straling neutraliseert bacteriën, virussen en andere primitieve organismen en stopt de voortplanting ervan. De Blue Lagoon UV-C Timer heeft een ingebouwde hoogfrequente elektronische ballast. Deze ballast vangt stroomschommelingen op en beschermt hiermee de lamp. Ook bevat het apparaat een geïntegreerde urenteller die nauwkeurig het aantal branduren bijhoudt. U kunt precies zien wanneer de lamp moet worden vervangen. Bovendien zorgt de RVS binnenzijde voor reflectie van de UV-C straling waardoor de efficiency tot 35% wordt vergroot. Dankzij de Blue Lagoon UV-C Timer zal uw water op een efficiënte en veilige wijze worden gedesinfecteerd en behoudt u een uitstekende waterkwaliteit.

## Voordelen van UV-C behandeling:

- Zorgt voor fris, schoon en helder water
- Desinfecteert water op een efficiënte en veilige manier
- UV-C licht breekt gebonden chloor af
- Beschermt uw bad tegen ziektekiemen
- Houdt schimmel-, bacterie- en algenvorming onder controle
- Kan het gebruik van chloor en andere chemicaliën tot 80% verminderen
- Voorkomt chloorlucht en irritatie aan huid en ogen (rode ogen)
- Beter voor het milieu in vergelijking met traditionele methoden

## Voordelen van Blue Lagoon UV-C Timer:

- Ingebouwde elektronisch voorschakelapparaat, voor een gelijkmatige stroomvoorziening.
- Tot 35% meer UV-C opbrengst door reflectie
- Heeft een Philips UV-C lamp met 9000 branduren
- Geïntegreerde instelbare urenteller voor de UV-C lamp
- Geeft digitaal aan wanneer lamp moet worden vervangen
- 316L roestvrijstalen behuizing
- Eenvoudige installatie en onderhoud
- 2 jaar garantie op fabricagefouten
- Is geaard
- Verloopstukken Ø 63mm naar Ø 50mm meegeleverd

## Veiligheid

**Dit apparaat produceert schadelijke straling. Direct contact kan gevaar opleveren voor ogen en huid.**

**Controleer de werking van de UV-C lamp daarom uitsluitend via de transparante delen van de unit.**

- Neem altijd de stekker uit het stopcontact voordat u onderhoud- of reparatiewerkzaamheden aan het apparaat uitvoert. Nooit de stekker in / uit stopcontact steken / halen als u in een plas water staat of natte handen heeft.
- Houd kinderen uit de buurt van dit apparaat en het snoer.
- De kabel van dit apparaat is niet vervangbaar. In geval van beschadiging van de stroomkabel moet het complete elektrische gedeelte van het apparaat vernieuwd worden. Verwijder nooit de stekker maar laat het elektrische gedeelte in tact. Een elektrisch gedeelte met afgeknipte stekker valt niet onder garantie.
- Installeer het apparaat nooit op een plek in de volle zon.
- Zorg ervoor dat er altijd water door de unit stroomt als de lamp brandt.
- Na uitschakelen van het apparaat zal de lamp nog ongeveer 10 minuten warm blijven.
- Bij beschadiging van onderdelen (in het bijzonder van het kwartsglas), het apparaat niet gebruiken.
- Bij bevroeringsgevaar tijdens de wintermaanden, het apparaat verwijderen.
- De roestvrijstalen behuizing van het apparaat is niet geschikt voor zoutwaterbaden met een hoog zout gehalte. Bij een te hoog zout gehalte oxideert het staal en raakt de behuizing beschadigd.
- Dit product is uitsluitend te gebruiken volgens de richtlijnen zoals beschreven in deze handleiding.

### Installatie aarding (Tekening 1)

- 1 Voordat u de kunststof trekcontlasting (F) op de aardingsbout (A) monteert dient u eerst de kabel (B) door de trekcontlasting (F) te halen. Plaats de trekcontlasting (F) op ongeveer 10cm afstand van het oog (H) van de aardingskabel (B).
- 2 Plaats het oog (H) van de kabel (B) over de aardingsbout (A) die op de behuizing is bevestigd.
- 3 Plaats vervolgens een tandveerring (C), zeskantsmoer (D) en weer een tandveerring (E) op het oog (H).
- 4 Bevestig de trekcontlasting (F) er bovenop zodat er een lus van  $\varnothing$  5cm ontstaat.
- 5 Als laatste de borgmoer (G) op de aardingsbout (A) plaatsen.
- 6 Als de diverse moeren op de juiste volgorde op de aardingsbout (A) zijn geplaatst kan dit met een steek-, of ringsleutel nummer 8, vastgedraaid worden. Zorg ervoor dat het niet te vast wordt aangedraaid, want dan kan de trekcontlasting scheuren. (De transparante moer die bij aanlevering op de aardingsbout (A) geschroefd is, heeft verder geen functie en kan weggegooid worden).

### Installatie apparaat (Tekening 2)

Installeer de Blue Lagoon UV-C Timer nooit direct na de PH regelaar of zout elektrolyse systeem op uw zwembadinstallatie. De beste plaats om het apparaat te installeren is direct na de filter. Dit apparaat nooit onder water dompelen. Installatie altijd buiten het bad. Zorg ervoor dat er altijd water door de unit stroomt als de lamp brandt.

- 1 Bepaal de gewenste positie om het apparaat te installeren. Zorg ervoor dat er voldoende ruimte (+/- 1 mtr.) over blijft om de lamp (K)/ kwartsglas (M) te verwijderen voor vervanging en/of onderhoud.
- 2 Monteer de meegeleverde buisklemmen (O) op een vaste plaats, bevestig de unit in de buisklemmen en draai de driedelige koppeling (I) vast. Let daarbij op de juiste positie van de afdichtingsringen (P) zowel bij de aansluitingen als bij het kwartsglas (zie tekening 2).
- 3 Monteer de unit d.m.v. de driedelige koppelingen (I) in het circuit. De in- en uitlaat van de driedelige koppeling is  $\varnothing$  63 mm. Indien uw leidingen kleiner zijn dan 63mm, kunt u gebruik maken van het verloopstuk ( $\varnothing$  63 x  $\varnothing$  50 mm) (T). Deze dient u te verlijmen op de driedelige koppeling (I). Aan de binnenkant van het verloopstuk (T) bevindt zich aan één zijde schroefdraad die de mogelijkheid biedt om er een eventuele verloopstuk inclusief afdichtingsring (niet meegeleverd) op te monteren. Voor verloopstukjes kunt u bij uw dealer terecht (artikelnummer B290020).
- 4 Draai de schroefring (N) los van de behuizing (U). Haal de UV-C lamp (K) uit de bijgeleverde koker (zie verpakking) en schuif de lamp voorzichtig in het kwartsglas (M). Koppel de witte lamphouder (L) voorzichtig aan de UV-C lamp (K) en schroef daarna de schroefring (N) handvast op de behuizing (U).
- 5 Stel de pomp in werking en controleer het systeem op doorstroom en lekkage.
- 6 Stop de stekker van het UV-C apparaat in een wandstopcontact met randaarde en voorzien van aardlekschakelaar. Controleer of de lamp brandt door de transparante delen van het apparaat. U schakelt het apparaat uit door de stekker uit het stopcontact te trekken.

### Gebruiksaanwijzing digitale urenteller

Als de Blue Lagoon UV-C Timer is ingeschakeld gaat het programma zich zelf testen. De display geeft de volgende indicaties automatisch na elkaar: 8888 (display test) ; r en software versie nummer ; 50H of 60H indicatie van de netfrequentie  
Daarna springt de display op de tellerstand.

Als de UVC lamp voor het eerst is ingeschakeld of nadat de "reset" functie is gebruikt, dan zal de waarde 4500 in de display verschijnen. Bij het meest rechtse cijfer op de display knippert elke seconde een punt die aangeeft dat de teller loopt.  
De display staat automatisch op de door de fabriek ingestelde tellerstand van 4500 uur. Tot 4500 uur heeft de UV-C lamp 100% zijn werkende straling. Na 4500 uur zwakt de straling af en kan onvoldoende zijn om tot de gewenste resultaten te komen.  
Indien u de UVC lamp al langer gebruikt en deze al eens eerder ingeschakeld is geweest zal de display na het inschakelen de waarde weergeven die de hij had voordat de UV-C lamp werd uitgeschakeld. Indien u de stand van de urenteller zelf heeft verhoogd of verlaagd dan wordt de laatste teller stand weergegeven die de display had voordat hij werd uitgeschakeld.  
U kunt de instellingen van de urenteller indien gewenst wijzigen. Dit doet u als volgt:  
Na het 5 seconden ingedrukt houden van de schakelaar (R) onder de display geeft de display "rSt" aan ter indicatie dat het gebruiker menu geselecteerd is. Na het loslaten van de schakelaar (R) knipperen de tellerstand en "rSt" afwisselend op de display. Door hierna de schakelaar kort in te drukken wordt door het mogelijkheden van het menu gestapt. Er zijn 3 instelmogelijkheden in het menu "rSt" "UP" en "dn".



- "**rSt**" betekent (reset): hiermee zet je de tellerstand terug naar de fabrieksinstellingen van 4500 uur. Deze selectie wordt bevestigd doordat de tellerstand en "rSt" in de display afwisselend knipperen. Als u de schakelaar(R) 5 seconden inhoud, waarna de tellerstand 4500 wordt weergegeven, en vervolgens loslaat, begint de urenteller terug te tellen vanaf de waarde 4500 uur. Deze keuze gebruikt u wanneer u bijvoorbeeld de lamp heeft vervangen of wanneer u de tellerstand zelf heeft gewijzigd en deze weer terug naar de fabrieksinstellingen wilt zetten.

- "**UP**" betekent (up): hiermee kan de tellerstand verhoogd worden naar de door u gewenste urenstand. Deze selectie wordt bevestigd doordat de gekozen gebruikersinstelling "UP" en de tellerstand in de display afwisselend knipperen. U dient daarna de schakelaar (R) 5 seconden in te houden. Op de display blijft na 5 seconden alleen nog "UP" in beeld staan. U dient dan de schakelaar los te laten.

Door het kort indrukken van de schakelaar kan de tellerwaarde vanaf 4500 in stappen van 500 uur verhoogd worden tot een maximale waarde van 9999. De verhoogde waarde knippert afwisselend met "UP" op de display.

Indien u de gewenste urenstand heeft geselecteerd wacht u 10 seconden. Na 10 seconden springt de geselecteerde urenstand in beeld en het terugtellen van de timer is gestart.

Indien u tijdens het verhogen van de tellerstand bijvoorbeeld een vergissing maakt dan kunt u de teller weer terug zetten naar 4500 door de schakelaar 5 seconden in te houden. De tellerwaarde is gereset naar 4500 en er kan een nieuwe waarde worden ingesteld.

- "**dn**" betekent (down): hiermee kan de tellerstand verlaagd worden naar de door u gewenste urenstand. Deze selectie wordt bevestigd doordat de gekozen gebruikersinstelling "dn" en de tellerstand in de display afwisselend knipperen. U dient daarna de schakelaar (R) 5 seconden in te houden. Op de display blijft na 5 seconden alleen nog "dn" in beeld staan. U dient dan de schakelaar los te laten.

Door het kort indrukken van de schakelaar kan de tellerwaarde vanaf 4500 in stappen van 500 uur verlaagd worden tot een minimale waarde van 0000. De verlaagde waarde knippert afwisselend met "dn" op de display.

Indien u de gewenste urenstand heeft geselecteerd wacht u 10 seconden. Na 10 seconden springt de geselecteerde urenstand in beeld en het terugtellen van de timer is gestart.

Indien u tijdens het verlagen van de tellerstand bijvoorbeeld een vergissing maakt dan kunt u de teller weer terug zetten naar 4500 door de schakelaar 5 seconden in te houden. De tellerwaarde is gereset naar 4500 en er kan een nieuwe waarde worden ingesteld.

De urenteller geeft u op de volgende manier aan dat de lamp moet vervangen moet worden:

- Vanaf urenstand 0672; display knippert om de seconde. De lamp dient over 4 weken vervangen te worden.
- Vanaf urenstand 0336; display knippert om de halve seconde; De lamp dient over 2 weken vervangen te worden.
- Vanaf urenstand 0168; display knippert om ¼ seconde; De lamp dient over 1 week vervangen te worden.
- Bij een urenstand van 0000; blijven de cijfers snel knipperen en zal de teller niet meer verder terugtellen. De lamp dient vervangen te worden.

## Demontage/Onderhoud

Bij onderhoud/demontage van het apparaat altijd de stroomtoevoer uitschakelen.

Het apparaat dient 2 maal per jaar gereinigd te worden. Wanneer de algengroei en/of kalkaanslag toeneemt, moet de kwartsglazen buis (M) waarin de lamp gestoken is, schoongemaakt worden. De speciale lamp dient na uiterlijk 9.000 branduren vervangen te worden. Het RVS binnenwerk met een zachte borstel schoonmaken.

- 1 Draai de driedelige koppelingen (I) los en laat het water uit het apparaat stromen.
- 2 Schroef de schroefring (N) los en koppel de lamp (K) los van de lamphouder(L). Haal de lamp uit het kwartsglas en vervang indien nodig de speciale lamp (K). Voorzichtigheid is geboden daar het om zeer kwetsbare onderdelen gaat.
- 3 Verwijder voorzichtig het kwartsglas (M) d.m.v. een grote platte schroevendraaier (**zie tekening 3**). Nooit forceren!
- 4 Maak het kwartsglas schoon met een daarvoor geschikt middel. Gebruik altijd een zachte doek om het glas schoon te maken, voorkom krassen.
- 5 Let bij herplaatsing van het kwartsglas in het huis op de juiste positie van de 3 afdichtingsringen (P) en schuif het uiteinde van het kwartsglas voorzichtig in het opvangstuk (Q) (**zie tekening 4**). Nooit forceren!
- 6 Plaats de lamp voorzichtig terug in het kwartsglas en koppel de lamp(K) aan de lamphouder(L). Draai de schroefring (N) terug op de behuizing.
- 7 Het elektrische gedeelte van het apparaat bevindt zich in de displaykast (S) op het apparaat. Deze displaykast is gelijmd en niet te openen.

Bij vervanging van het elektrische gedeelte of de display dient de volledige kast losgeschroefd te worden en de bedrading van het apparaat los gemaakt te worden (**zie tekening 1**). Draai de schroefring (**N**) los en maak de lamphouder voorzichtig los van de lamp. Let er op dat u de diverse losse onderdelen zoals van de aarding etc. goed bewaart. Deze worden niet met een nieuwe behuizing of elektrisch gedeelte meegeleverd. Bij eventuele twijfel over de aansluiting, een erkende installateur raadplegen.

- 8 Indien de behuizing moet worden vervangen, dient de aarding (**J**) en het elektrische gedeelte met display (**S**) eerst van de behuizing (**U**) los gemaakt te worden (**zie tekening 1 & 2**). Schroef het elektrische gedeelte met display (**S**) en de lamphouder los van de behuizing. Let erop dat u de diverse losse onderdelen van de aarding goed bewaart. Deze worden niet met een nieuwe behuizing meegeleverd. Verwijder de lamp (**K**) en kwartsglas (**M**) uit de behuizing om breukschade te voorkomen tijdens transport. Bij eventuele twijfel over de aansluiting, een erkende installateur raadplegen.

<b>Technische specificaties</b>	<b>40.000 L</b>	<b>75.000 L</b>
• Lamp Philips TUV T5	40 Watt	75 Watt
• UV-C (W) output	15 Watt	25 Watt
• UV-C (%) na 4.500 uur	85%	80%
• UV-C (%) na 9.000 uur	0%	0%
• Zwembadinhoud (L.)	40.000 L	75.000 L
• Max. Doorstroom	20.000 l/h	25.000 l/h
• Max. Druk	3 bar	3 bar
• Max. Temperatuur	35°C	35°C
• Min. Temperatuur	0°C	0°C
• Aansluiting	Ø63mm/Ø50mm	Ø63mm/Ø50mm
• Lengte apparaat	100cm	100cm

### **Type UV-C systemen**

Artikelnummer: B210002 Blue Lagoon UV-C Timer 40.000L / 40 Watt (230V; 50/60Hz)

Artikelnummer: B210003 Blue Lagoon UV-C Timer 75.000L / 75 Watt (230V; 50/60Hz)

### **Vervangingslampen**

Artikelnummer: E800901 Philips Lamp type TUV 36T5 4P-SE (40 Watt)

Artikelnummer: E800902 Philips Lamp type TUV 36T5 HO 4P-SE (75 Watt)

### **Garantievoorwaarden**

Het product is gedurende 24 maanden na aankoopdatum gegarandeerd tegen fabricagefouten. De lamp en het kwartsglas vallen buiten de garantie. Garantiegevallen kunnen alleen worden behandeld als het product franco terug wordt gestuurd en voorzien is van een geldig aankoopbewijs. Garantiereparaties mogen uitsluitend door de leverancier worden uitgevoerd. Garantieaanspraken die veroorzaakt zijn door installatie- of bedieningsfouten worden niet erkend. Defecten die ontstaan door gebrekkig onderhoud vallen ook niet onder de garantie. De leverancier is op geen enkele manier verantwoordelijk voor schade veroorzaakt door verkeerd gebruik van het product. De leverancier kan niet aansprakelijk worden gesteld voor vervolgschade die door uitval van het apparaat ontstaat. Reclamaties op grond van transportbeschadigingen kunnen alleen geaccepteerd worden, wanneer de beschadiging bij aflevering door de expediteur of postierijen werd vastgesteld of bevestigd. Alleen dan is het mogelijk, aanspraken t.o.v. de expediteur of postierijen te doen.

**Brugsanvisningen skal gennemlæses omhyggeligt, før apparatet installeres.**

## Funktion

I Blue Lagoon UV-C Timeren genereres der UV-C stråling med en bølgelængde på 253,7 nm af den specielle Philips UV lampe, som dræber bakterier (bl.a. legionellabakterier). Blue Lagoon UV-C Timeren sørger på en miljøvenlig måde for rent, frisk og klart vand. Vandet pumpes til UV-C apparatet af en pumpe. UV-C strålingen neutraliserer bakterier, virusser og primitive organismer og forhindrer formeringen af dem. Blue Lagoon UV-C Timeren har en indbygget, højfrekvent, elektronisk forkoblingsenhed. Denne forkoblingsenhed udjævner strømudsving og beskytter dermed lampen. Apparatet har også en integreret timetæller, som præcist registrerer antallet af brændetimer. Du ved derfor nøjagtigt, hvornår lampen skal udskiftes. Ydermere reflekterer indersiden af rustfrit stål UV-C lyset, således at effektiviteten øges med op til 35%. Takket være Blue Lagoon UV-C Timeren bliver vandet i bassinet desiniceret på en effektiv og sikker måde, således at vandkvaliteten altid er i top.

## Fordele ved UV-C behandling:

- Sørger for frisk, rent og klart vand
- Desinficerer vandet på en effektiv og sikker måde
- UV-C lys nedbryder bundet klor
- Beskytter bassinet mod sygdomskim
- Holder skimmel-, bakterie- og algevækst under kontrol
- Kan reducere brugen af klor og andre kemikalier med op til 80%
- Hindrer klørugt og irritation af huden og øjnene (røde øjne)
- Bedre for miljøet, sammenlignet med traditionelle metoder

## Fordele ved Blue Lagoon UV-C Timer:

- Indbygget elektronisk forkoblingsenhed for stabil strømforsyning.
- Op til 35% mere UV-C bestråling takket være reflektering
- Philips UV-C lampe med 9.000 brændetimer
- Integreret indstillelig timetæller til UV-C lampen
- Viser digitalt, hvornår lampen skal udskiftes
- Kabinet af 316L rustfrit stål
- Ukompliceret installation og vedligeholdelse
- 2 års garanti på fabrikationsfejl
- Er jordet
- Reduktionsstykker Ø 63mm til Ø 50mm medfølger

## Sikkerhed

**Dette apparat producerer skadelige stråler. Direkte kontakt kan være skadelig for øjne og hud.**

**UV-C lampens funktion må derfor kun kontrolleres via de gennemsigtige dele.**

- Tag altid stikket ud af stikkontakten, før der udføres vedligeholdelse eller reparation af apparatet. Tag ikke stikket ud af stikkontakten og sæt det ikke i, hvis du står i en vandpyt eller har våde hænder.
- Hold børn væk fra apparatet og ledningen.
- Ledningen til apparatet kan ikke udskiftes. Hvis ledningen beskadiges, skal hele den elektriske del udskiftes. Tag ikke stikket ud men lad den elektriske del være intakt. En elektrisk del med stikket klippet af dækkes ikke af garantien.
- Apparatet må ikke anbringes i direkte sollys.
- Sørg for, at der altid strømmer vand gennem enheden, når lampen er tændt.
- Lampen vil være varm ca. 10 minutter efter, apparatet er blevet slukket.
- Hvis dele beskadiges (især kvartsglasset), må apparatet ikke bruges.
- Hvis der er risiko for frost om vinteren, skal apparatet tages ind.
- Kabinettet af rustfrit stål er uegnet til saltvandsbassiner med et højt indhold af salt. Er indholdet af salt for højt, oxiderer stålet, så kabinettet beskadiges.
- Dette produkt er udelukkende beregnet til at blive brugt i henhold til vejledningen i denne brugsanvisning.

## Montering af jording (Tegning 1)

- 1 Før trækaf astningen (F) monteres på jordingsbolten (A), skal kablet (B) først trækkes gennem trækaf astningen (F). Anbring trækaf astningen (F) ca. 10 cm fra øjet (H) på jordingskablet (B).
- 2 Sæt øjet (H) på kablet (B) over jordingsbolten (A), som sidder på selve kabinettet.
- 3 Sæt derefter en stjernefjederskive (C), sekskantmøtrik (D) og igen en stjernefjederskive (E) på øjet (H).
- 4 Fastgør trækaf astningen (F) ovenpå, så der er en sløffe med  $\varnothing$  5 cm.
- 5 Til sidst skrues låsemøtrikken (G) på jordingsbolten (A).
- 6 Når de forskellige ting er sat på jordingsbolten (A) i den rigtige rækkefølge, kan møtrikken (G) strammes til med en gaffel- eller ringnøgle nummer 8. Trækafastningen kan revne, hvis møtrikken strammes for meget til.  
(Den gennemsigtige møtrik, som ved levering er skruet på bolten (A), har ikke nogen funktion og kan smides væk).

## Installation af apparatet (Tegning 2)

Installer ikke Blue Lagoon UV-C Timeren umiddelbart efter pH-regulatoren eller salt-elektrolysesystemet i bassininstallationen. Det er bedst at montere apparatet umiddelbart efter filteret. Dette apparat må ikke nedsænkes i vand. Skal altid anbringes uden for bassinet. Sørg for, at der altid strømmer vand gennem apparatet, når lampen er tændt.

- 1 Bestem, hvor apparatet skal placeres. Sørg for, at der er tilstrækkelig plads (ca. 1 meter) til, at lampen (K) / kvartsglasset (M) kan tages af i forbindelse med udskiftning og/eller vedligeholdelse.
- 2 Monter de medfølgende rørklemmer (O) på et fast sted, fastgør apparatet i rørklemmerne og stram den tre-delte kobling (I) til. Vær opmærksom på, at tætningsringene (P) sidder rigtigt, både ved tilslutningerne og kvartsglasset (se tegning 2).
- 3 Monter enheden i kredsløbet ved hjælp af den tre-delte kobling (I). Ind- og udgang på den tredelte kobling er  $\varnothing$  63 mm. Hvis rørene er mindre end  $\varnothing$  63 mm, kan der bruges et reduktionsstykke ( $\varnothing$  63 x  $\varnothing$  50 mm) (T). Dette reduktionsstykke skal limes på den tredelte kobling (I). Indvendigt i reduktionsstykket (T) er der i den ene ende et gevind, så man eventuelt kan montere en reduktionsstuds med pakning (ikke inkluderet). Sæt med reduktionsstykker kan købes hos forhandleren (artikelnummer B290020).
- 4 Skru skrue dækslet (N) af kabinettet (U). Tag UV-C lampen (K) ud af hylsteret (se emballage) og sæt forsigtigt lampen i kvartsglasset (M). Sæt forsigtigt den hvide lampeholder (L) på UV-C lampen (K) og stram med hånden skrue dækslet (N) til kabinettet (U).
- 5 Start pumpen og kontroller systemet for gennemstrømning og lækage.
- 6 Sæt stikket til UV-C apparatet i en stikkontakt med jording og tilkoblet hfi-relæ. Kontroller gennem de gennemsigtige dele, om lampen lyser. Apparatet slukkes ved at tage stikket ud af stikkontakten.

## Brugsanvisning til digital timetæller

Når der er blevet tændt for Blue Lagoon UV-C Timeren, begynder programmet en selvtest. I displayet vises følgende indikationer efter hinanden: 8888 (displaytest); r og softwarens versionsnummer; 50H eller 60H indikerer netfrekvensen  
Derefter vises timetælleren.

Når UV-C lampen tændes første gang, eller efter "reset" funktionen har været brugt, vises værdien 4500 i displayet. Ved cifret længst til højre i displayet blinker hvert sekund et punktum, som angiver, at timetælleren går.

Displayet står automatisk på 4500 timer, som er indstillet fra fabrikken. Op til 4500 timer yder UV-C lampen 100% effektiv stråling. Efter 4500 timer bliver strålingen svagere, således at man ikke opnår det ønskede resultat.

Hvis UV-C lampen har været brugt i længere tid, og den allerede tidligere har været tændt, viser displayet det antal timer, som timetælleren stod på, da UV-C lampen blev slukket. Hvis du selv har øget eller mindsket timetælleren's timetal, vises det sidste timetal, før der blev slukket. Timetælleren's indstillinger kan ændres, hvis man ønsker det. Det gøres på følgende måde:

Når afbryderen (R) under displayet har været holdt inde i 5 sekunder, vises "rSt" i displayet, og det betyder, at brugermenuen er valgt. Når afbryderen (R) slippes, blinker timetallet og "rSt" skiftevis i displayet. Hvis der nu trykkes ganske kort på afbryderen, vises menuens valgmuligheder efter hinanden. Der er 3 indstillingsmuligheder i menuen, "rSt" "UP" og "dn".

- "rSt" betyder (reset): hermed stilles timetælleren tilbage til fabriksindstillingen på 4500 timer.

Dette valg bekræftes ved at timetallet og "rSt" blinker skiftevis i displayet. Når afbryderen (R) holdes inde i 5 sekunder, vises timetallet 4500, og hvis du så slipper afbryderen, begynder timetælleren at tælle ned fra 4500 timer. Denne valgmulighed kan du bruge, når lampen for eksempel er blevet udskiftet, eller hvis du selv har ændret timetallet og vil sætte det tilbage til fabriksindstillingen.

- **"UP"** betyder 'up' (op): hermed kan timetallet øges, hvis det ønskes.

Dette valg bekræftes ved at den valgte brugerindstilling "UP" og timetallet blinker skiftevis i displayet. Derefter skal afbryderen (R) holdes inde i 5 sekunder. Efter 5 sekunder står der kun "UP" i displayet. Derefter skal afbryderen slippes.

Ved kort at trykke på afbryderen kan timetallet fra 4500 i trin på 500 timer øges til maksimalt 9999. Det øgede timetal og "UP" blinker skiftevis i displayet.

Når du har valgt det ønskede timetal, venter du 10 sekunder. Efter 10 sekunder vises det ønskede timetal i displayet, og timeren begynder at tælle ned.

Hvis du for eksempel har lavet en fejl, mens du øgede timetallet, kan du igen sætte tælleren på 4500 ved at holde afbryderen inde i 5 sekunder. Tælleren er sat tilbage på 4500, og der kan indstilles en ny værdi.

- **"dn"** betyder 'down' (ned): hermed kan timetallet mindskes, hvis det ønskes.

Dette valg bekræftes ved at den valgte brugerindstilling "dn" og timetallet blinker skiftevis i displayet. Derefter skal afbryderen (R) holdes inde i 5 sekunder. Efter 5 sekunder står der kun "dn" i displayet. Derefter skal afbryderen slippes.

Ved kort at trykke på afbryderen kan timetallet fra 4500 i trin på 500 timer mindskes til minimalt 0000. Det mindskede timetal og "dn" blinker skiftevis i displayet.

Når du har valgt det ønskede timetal, venter du 10 sekunder. Efter 10 sekunder vises det ønskede timetal i displayet, og timeren begynder at tælle ned.

Hvis du for eksempel har lavet en fejl, mens du mindskede timetallet, kan du igen sætte tælleren på 4500 ved at holde afbryderen inde i 5 sekunder. Tælleren er sat tilbage på 4500, og der kan indstilles en ny værdi.

Når lampen skal udskiftes, angiver timetælleren det på følgende måde:

- Fra timetal 0672; display blinker hvert sekund. Lampen skal udskiftes om 4 uger.
- Fra timetal 0336; displayet blinker hvert halve sekund; Lampen skal udskiftes om 2 uger.
- Fra timetal 0168; displayet blinker hvert ¼ sekund; Lampen skal udskiftes om 1 uge.
- Ved timetal 0000; cifrene bliver ved med at blinke hurtigt, og tælleren kan ikke længere tælle ned. Lampen skal udskiftes.

## Demontage/vedligeholdelse

Strømmen skal afbrydes, når der udføres vedligeholdelse/demontage!

Apparatet skal rengøres 2 gange om året. Hvis algevæksten og/eller kalkafsætningen øges, skal kvartsglasrøret (M) med lampen rengøres.

Den specielle lampe skal udskiftes efter senest 9.000 timer. Det indvendige af rustfrit stål rengøres med en blød børste.

1 Løsn den tre-delte kobling (I) og lad vandet løbe ud af apparatet.

2 Løsn skruedækslet (N) og løsn lampen (K) fra lampeholderen (L). Tag lampen ud af kvartsglasset og udskift om nødvendigt lampen (K).

Man skal være meget forsigtig, for delene er meget skrøbelige.

3 Kvarsglasset (M) tages forsigtigt af med en stor, fad skruetrækker (**se tegning 3**). Brug ikke magt!

4 Rengør kvartsglasset med et egnet middel. Brug altid en blød klud for at rengøre glasset, undgå at lave ridser.

5 Når kvartsglasset sættes i igen, skal man sørge for, at de 3 tætningsringe (P) sidder rigtigt; sæt derefter enden af kvartsglasset forsigtigt i holderen (Q) i bunden (**se tegning 4**). Brug ikke magt!

6 Sæt forsigtigt lampen i kvartsglasset og sæt lampen (K) i lampeholderen (L). Skru skruedækslet (N) på kabinettet igen.

7 Apparatets elektriske del sidder i displayboksen (S) på apparatet. Denne displayboks er limet sammen og kan ikke åbnes. Ved udskiftning af den elektriske del eller displayet skal hele boksen skrues løs, og ledningerne til apparatet skal afmonteres (**se tegning 1**). Løsn skruedækslet (N) og løsgør forsigtigt lampeholderen fra lampen. Pas på, at de forskellige dele til jording osv. ikke bliver væk. De følger nemlig ikke med nyt kabinet eller elektrisk del. Er man i tvivl om den elektriske tilslutning, bør man kontakte en autoriseret elinstallatør.

8 Hvis kabinettet skal udskiftes, skal jordingen (J) og den elektriske del med display (S) først tages af kabinettet (U) (**se tegning 1 & 2**). Skru den elektriske del med display (S) og lampeholderen af kabinettet. Pas på, at de forskellige dele til jordingen ikke bliver væk. De følger nemlig ikke med et nyt kabinet. Tag lampen (K) og kvartsglasset (M) ud af kabinettet, så de ikke beskadiges under transport. Er man i tvivl om den elektriske tilslutning, bør man kontakte en autoriseret elinstallatør.

<b>Tekniske specifikationer</b>	<b>40.000 L</b>	<b>75.000 L</b>
• Lampe Philips TUV T5	40 Watt	75 Watt
• UV-C effekt (W)	15 Watt	25 Watt
• UV-C (%) efter 4.500 timer	85%	80%
• UV-C (%) efter 9.000 timer	0%	0%
• Bassinindhold (L.)	40.000 L	75.000 L
• Max. gennemstrømning	20.000 l/t	25.000 l/t
• Max. tryk	3 bar	3 bar
• Max. temperatur	35°C	35°C
• Min. temperatur	0°C	0°C
• Tilkobling	Ø 63 mm/Ø 50 mm	Ø 63 mm/Ø 50 mm
• Længde apparat	100 cm	100 cm

### **Type UV-C systemer**

Artikelnummer: B210002 Blue Lagoon UV-C Timer 40.000 L / 40 Watt (230 V; 50/60 Hz)

Artikelnummer: B210003 Blue Lagoon UV-C Timer 75.000 L / 75 Watt (230 V; 50/60 Hz)

### **UV-C Lamper**

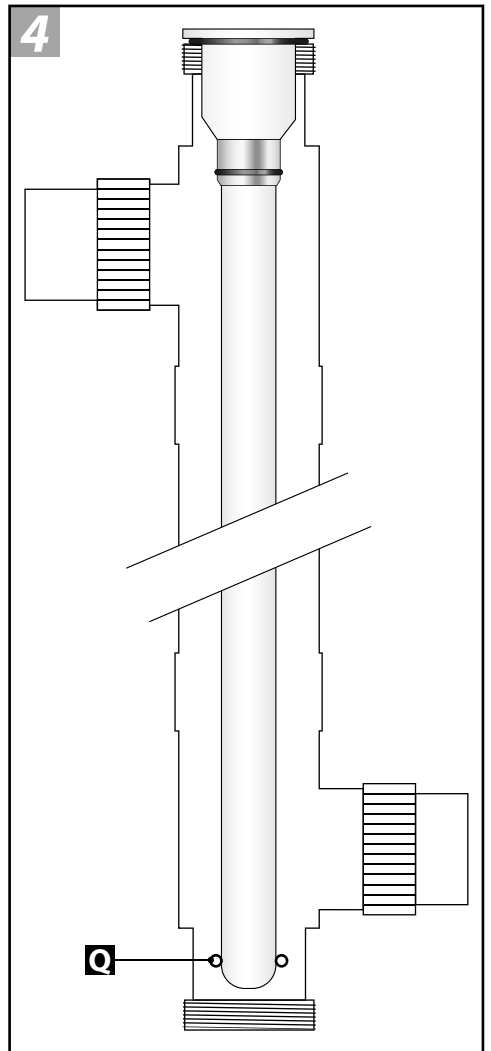
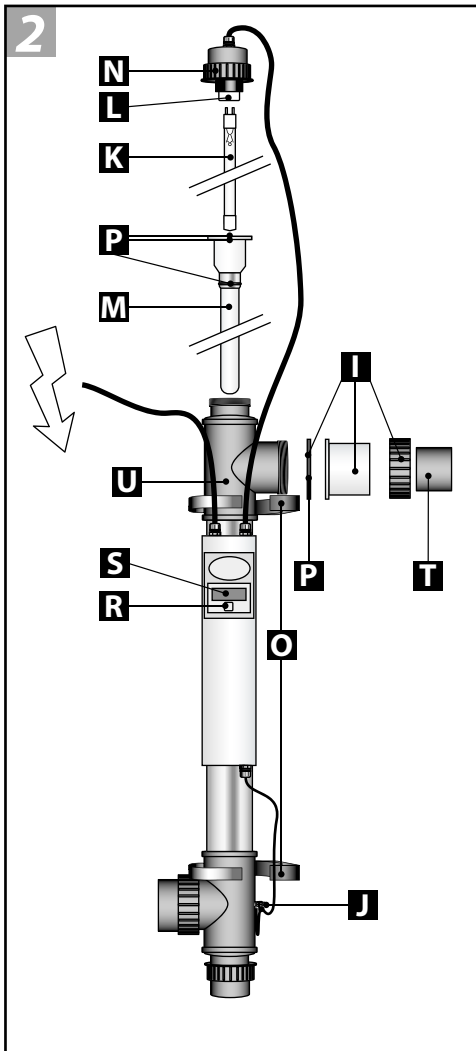
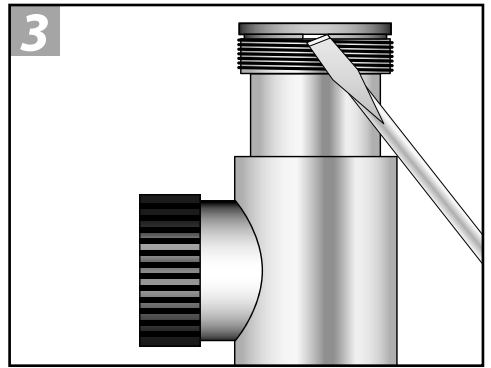
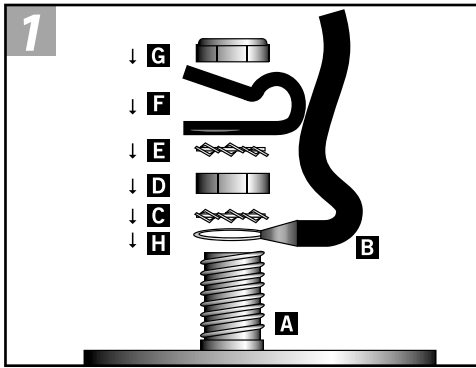
Artikelnummer: E800901 Philips Lampe type TUV 36T5 4P-SE (40 Watt)

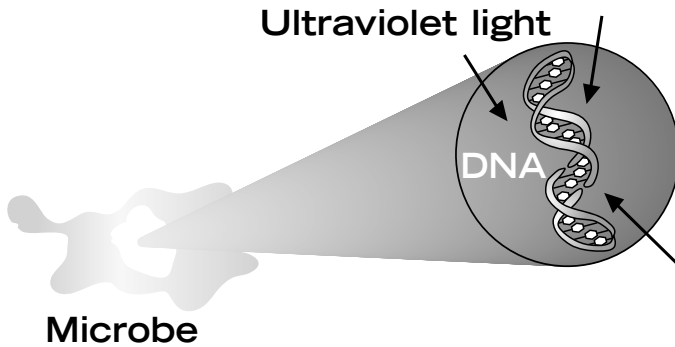
Artikelnummer: E800902 Philips Lampe type TUV 36T5 HO 4P-SE (75 Watt)

### **Garantibetingelser**

Produktet leveres med 24 måneders garanti på fabriktionsfejl, regnet fra købsdatoen. Brud på lampen og kvartsglasset dækkes ikke af garantien. Garantikrav behandles kun, hvis produktet tilbagesendes franko og vedlagt en gyldig kvittering. Garantireparationer må kun udføres af leverandøren.

Garantien dækker ikke fejl, forårsaget af forkert installation eller betjening. Defekter, der skyldes mangelfuld vedligeholdelse, dækkes heller ikke af garantien. Leverandøren kan ikke på nogen måde drages til ansvar for skade som følge af forkert brug af produktet. Leverandøren kan ikke drages til ansvar for følgeskader, som skyldes svigt af apparatet. Reklamationer på grund af transportskader accepteres kun, hvis skaden ved levering er konstateret og bekræftet af speditøren eller postvæsnet. Kun da er det muligt at gøre krav gældende over for speditør eller postvæsnet.





## How UV-C works

The molecular structure of the DNA is broken down rendering the microbe harmless

### Recycling informatie

Het symbool van de afvalbak op dit product geeft aan dat het product (als het niet meer wordt gebruikt) niet met het reguliere vuilnis mag worden aangeboden, maar dat het op de speciaal hiervoor ingerichte collectiepunten moet worden aangeboden voor recycling. Als alternatief kunt u het product ook aanbieden op het adres waar het is gekocht op het moment dat u een nieuw product koopt. Maar dit mag alleen op basis van 1 op 1. Een gescheiden afvalcollectie is beter voor het milieu en het helpt om door recycling de grondstoffen weer opnieuw te gebruiken. Elke andere manier van afval- verwerking met betrekking op dit product is strafbaar.

NL



### Information de recyclage

Le symbole du container barre sur le produit veut dire que le appareil doit être recycle séparé. Le usageur, a la fin du vie de le appareil, doit ramene le appareil a un centre de recyclage des appareils électrique. Une alternative est de le ramene a le vendeur sur le moment de une achat de une nouvelle produit, sur le base 1 sur 1. Une recyclage alternative est tres saine pour le environnement, et aide a une recyclage de materiel, une autre methode de jete le appareil est illegal, et sera puni par la loi.

F

### Informationen das Recyclage

Das Kennzeichen auf die Packung bedeutet dass es getrennt, von normalles Müll gesammelt werden muss, wenn das Gerät nicht mehr nutzbar ist. Wenn das Produkt kaputt ist soll der Besitzer es zu ein Sammelpunkt für elektrische Haushaltgeräte bringen. Oder wenn der Besitzer ein neues Gerät kaufen möchte kann Er/Sie das alte Gerät beim Verkäufer hinterlassen, nur 1 um 1 austauschbar. Getrenntes sammlung ist Umwelt freundlich und hilft dazu die alte Materialien neu nutzbar zu machen. Jeder andere / sonstige weise von sammeln ist nicht rechtsgültig.

D

### Recycle information

The symbol of the barred bin printed on the product means that it must be collected separately from other rubbish when it will not be anymore in use. The user, at the end of the life of the product, will have to bring it to a proper rubbish collection centre for electric and electrical devices. Alternatively he can return the used product to the seller at the moment he buys a new unit, but only in proportion 1 to 1. A differentiated refuse collection is environmentally friendly and it helps the recycle of the materials, any other collection procedure is unlawful and will be subject to the law in force.

GB

