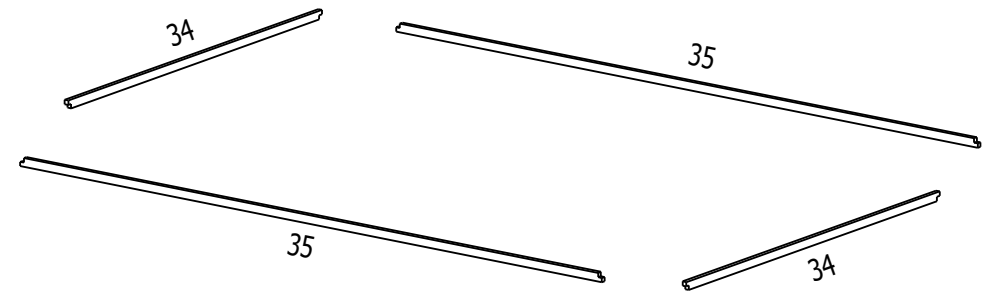
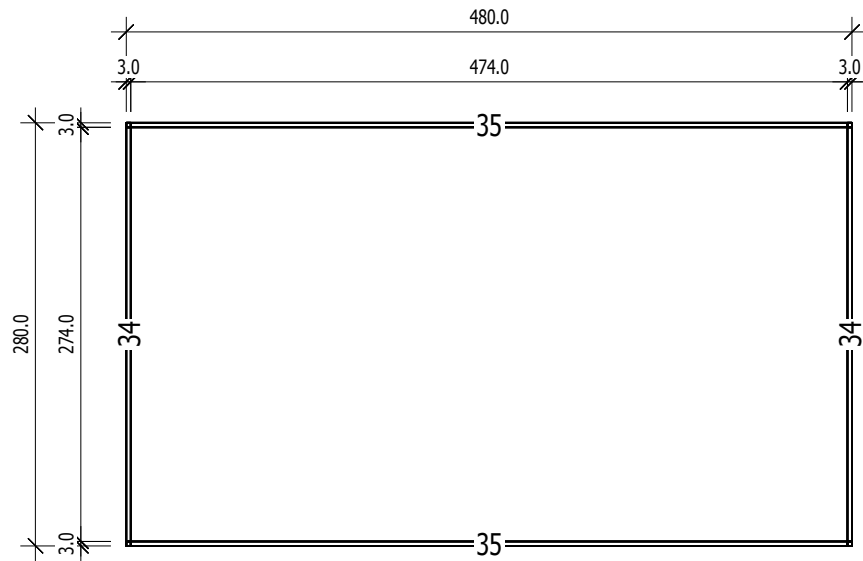


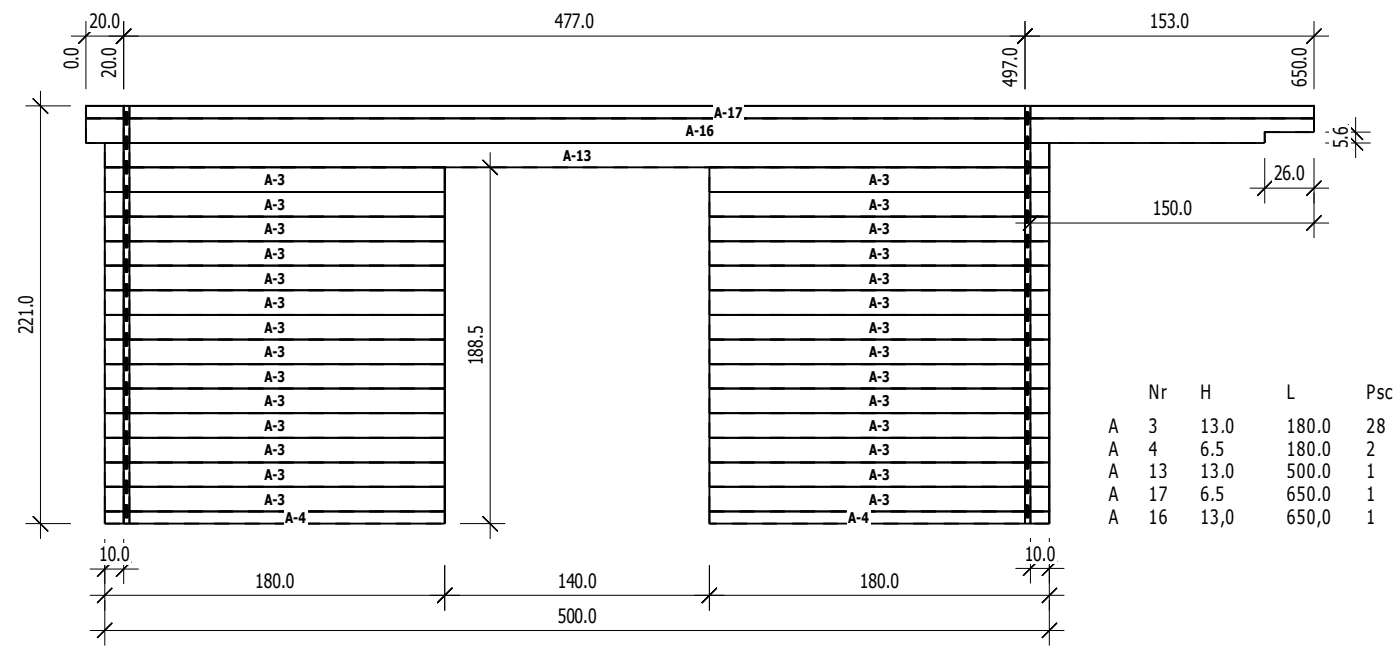
# Grundrahmenplan



Nr.	B	H	L	Psc
	[cm]	[cm]	[cm]	
34	3,0	6,0	280,0	2
35	3,0	6,0	480,0	2

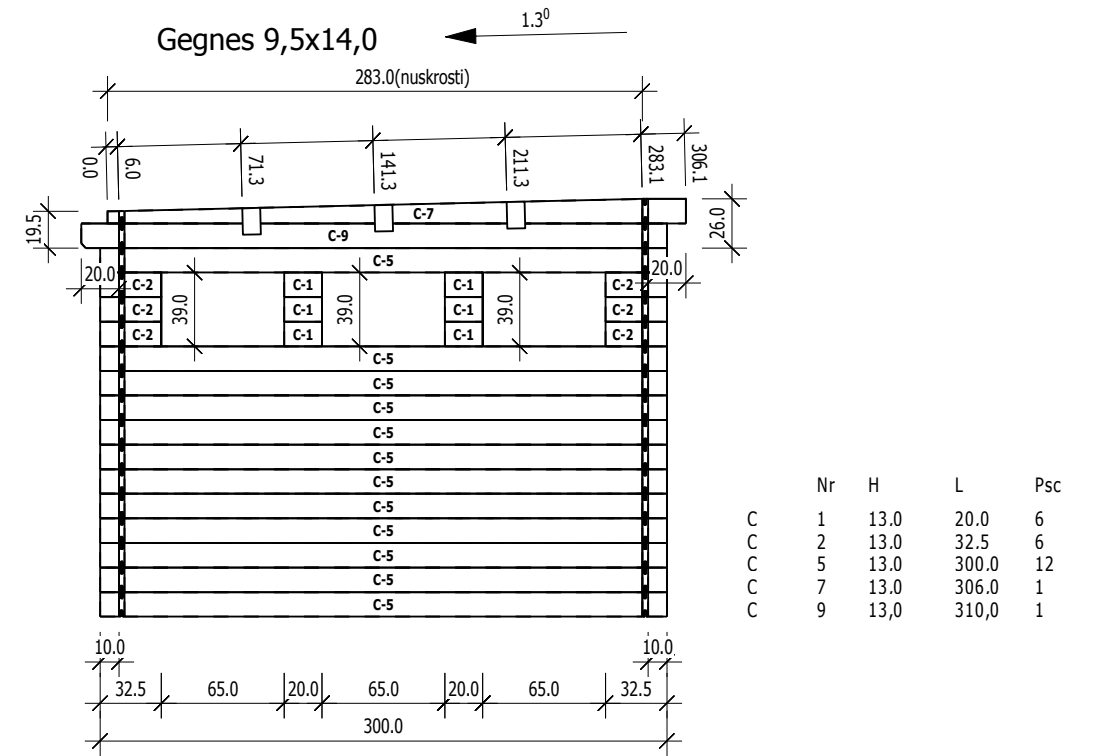
# A

M 1:40



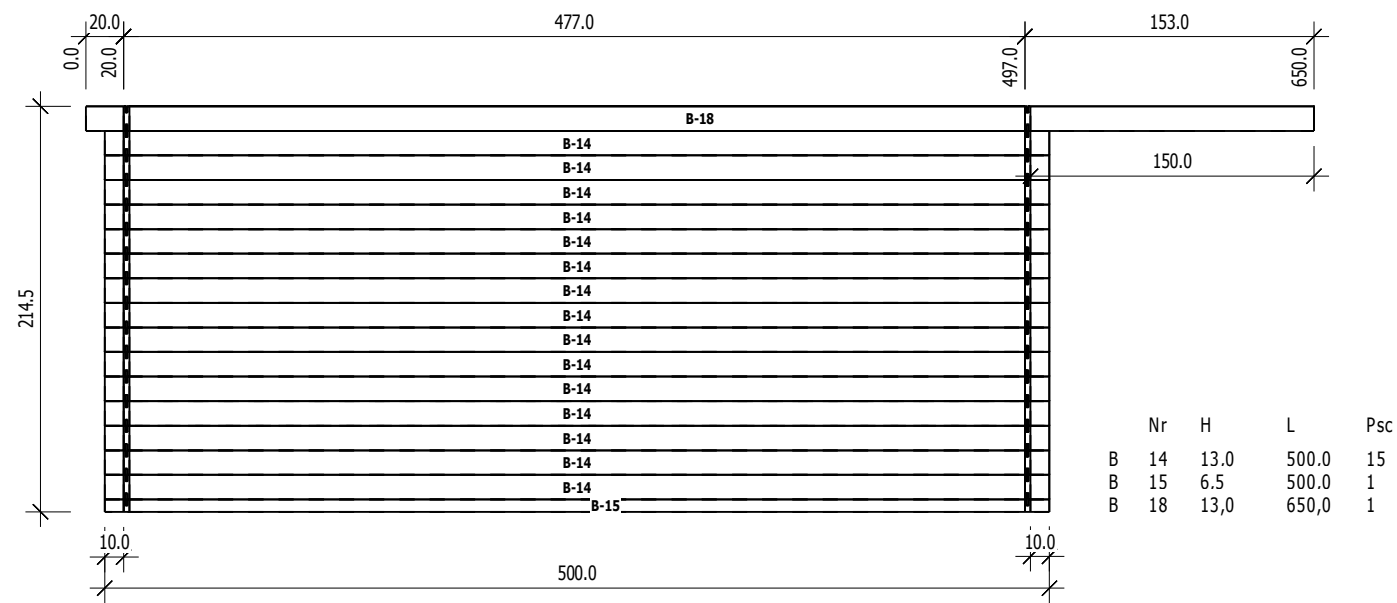
# C

M 1:40



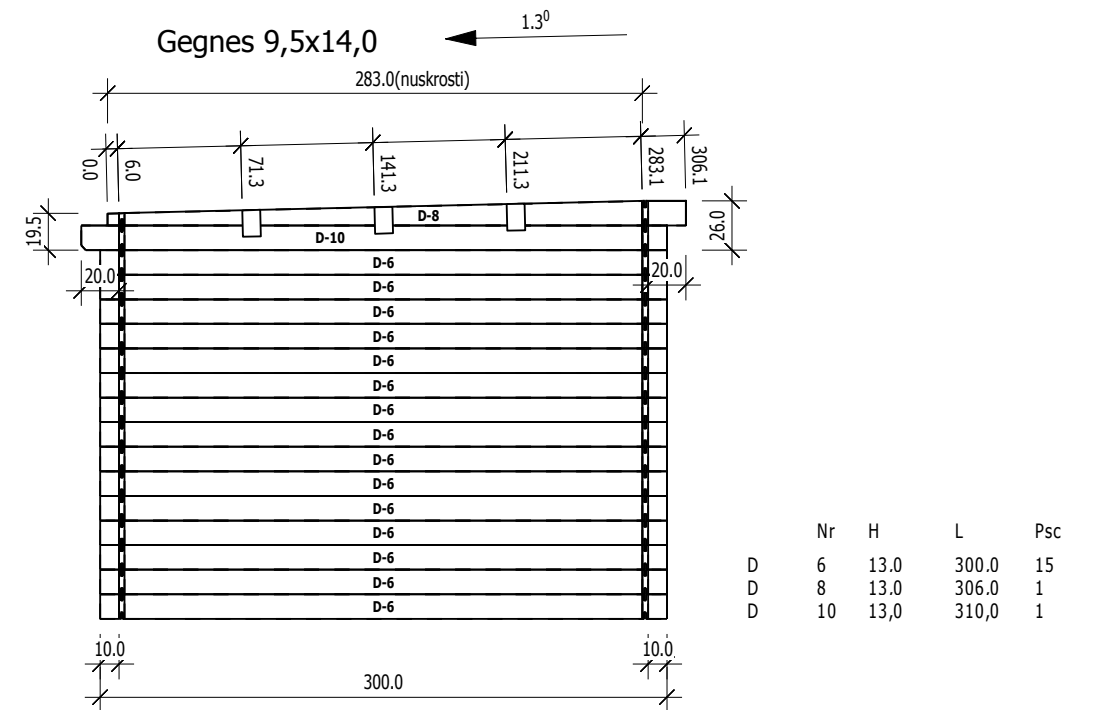
# B

M 1:40



# D

M 1:40



# Grundriss

