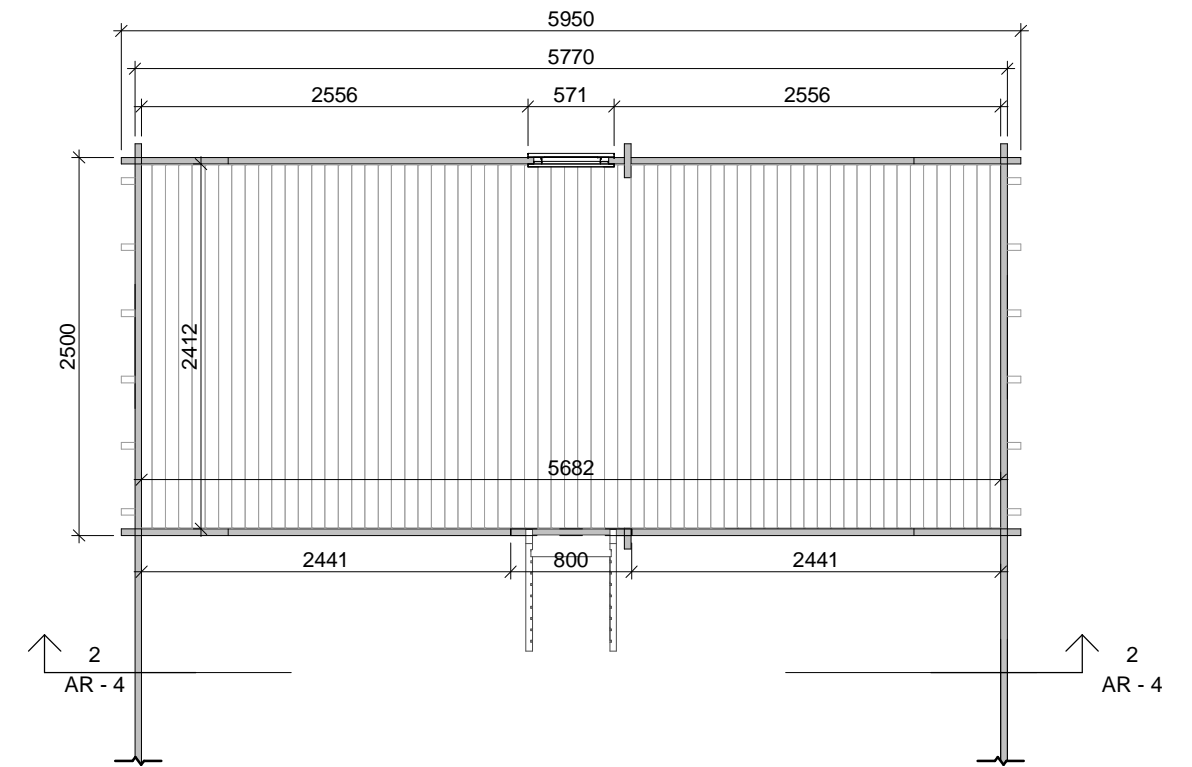


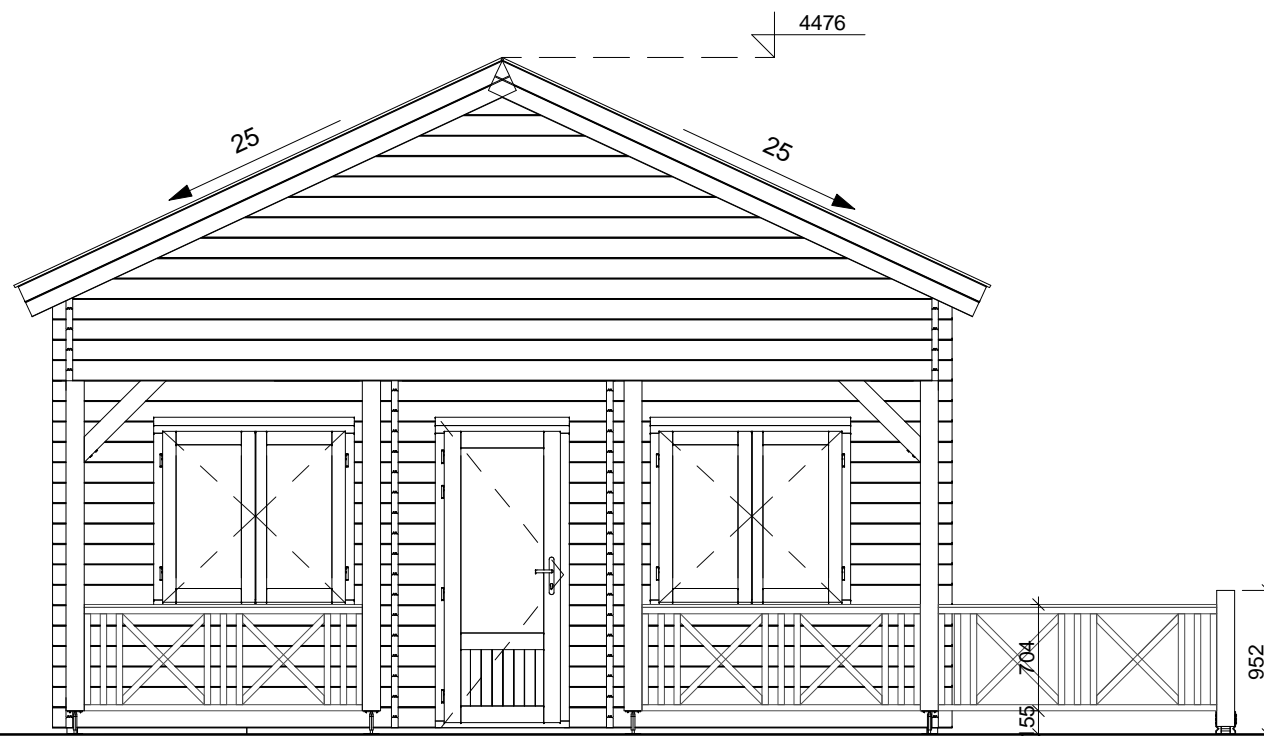
**FLOOR PLAN**



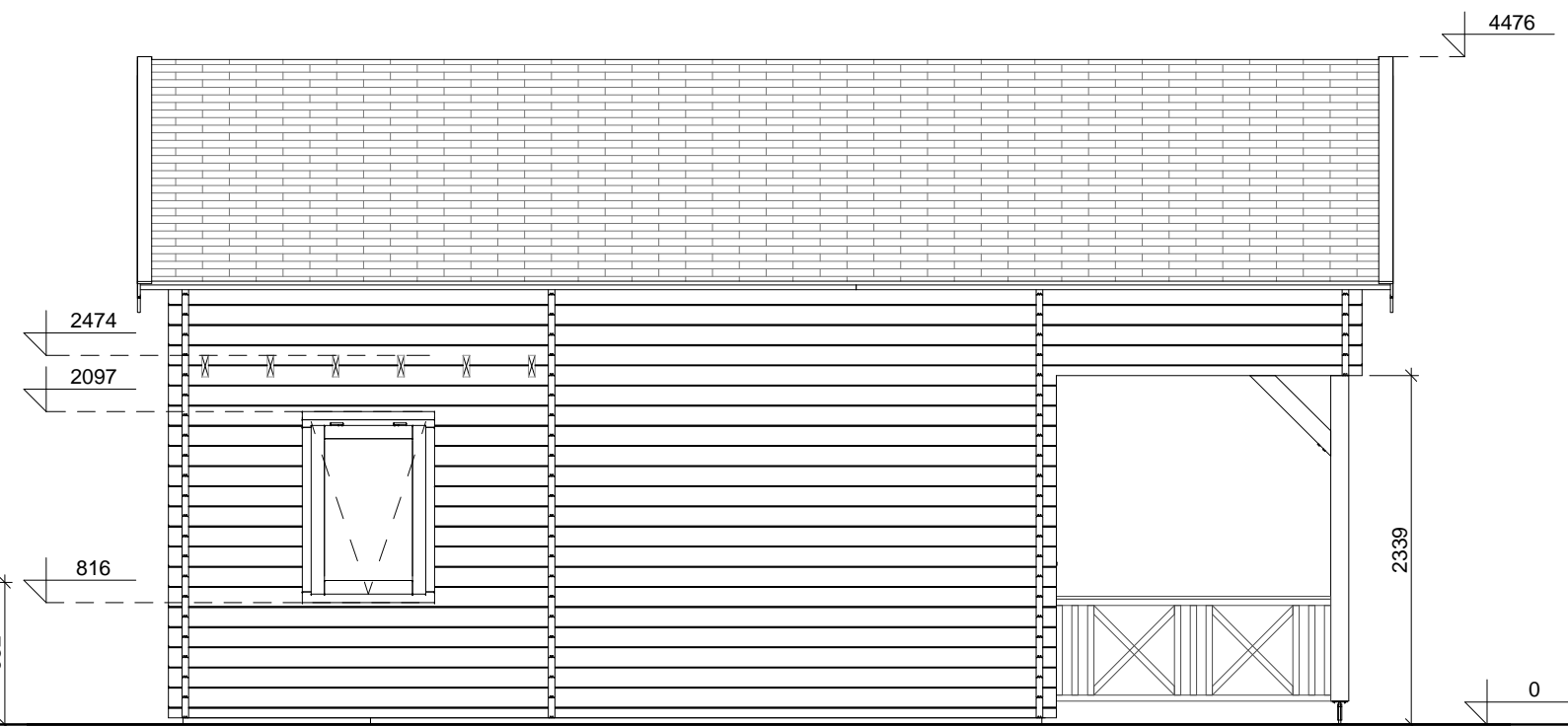
**MEZZANINE FLOOR PLAN**

Project Nr.				
<b>HS_22_44 Log cabin 595x800cm 44mm</b>				
ARCHITECTURE DRAWINGS	Scale	Drawer	Sheet Nr.	Date
	1 : 50	RB	AR - 1	01.10.2021 14:46:10

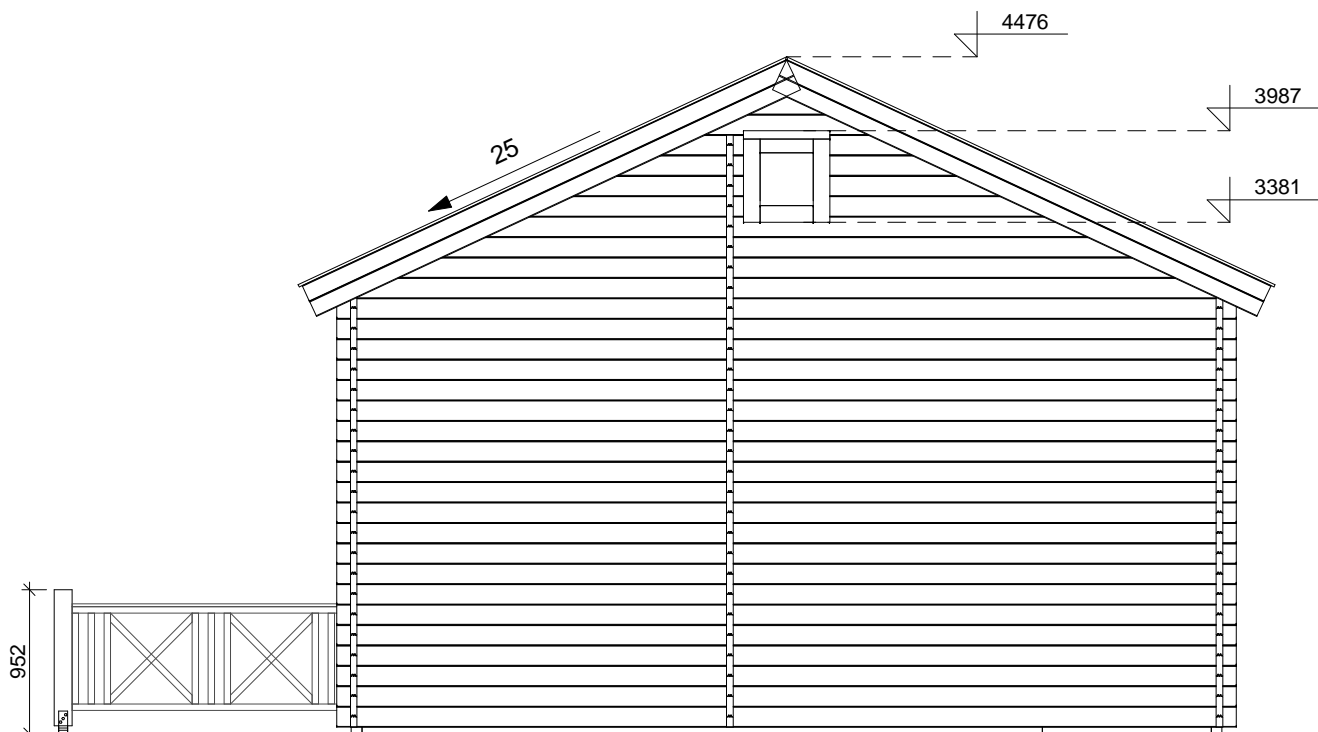
**FRONT VIEW**



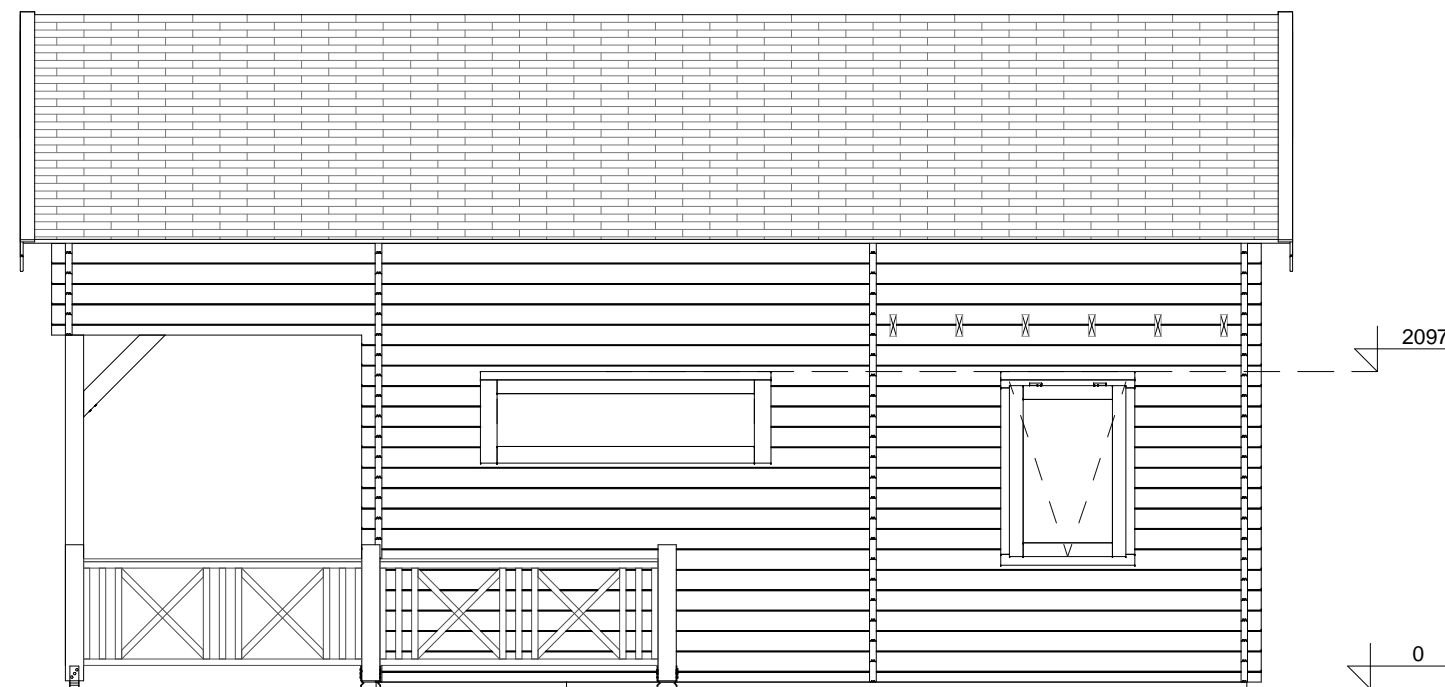
**LEFT SIDE VIEW**



**REAR VIEW**



**RIGHT SIDE VIEW**

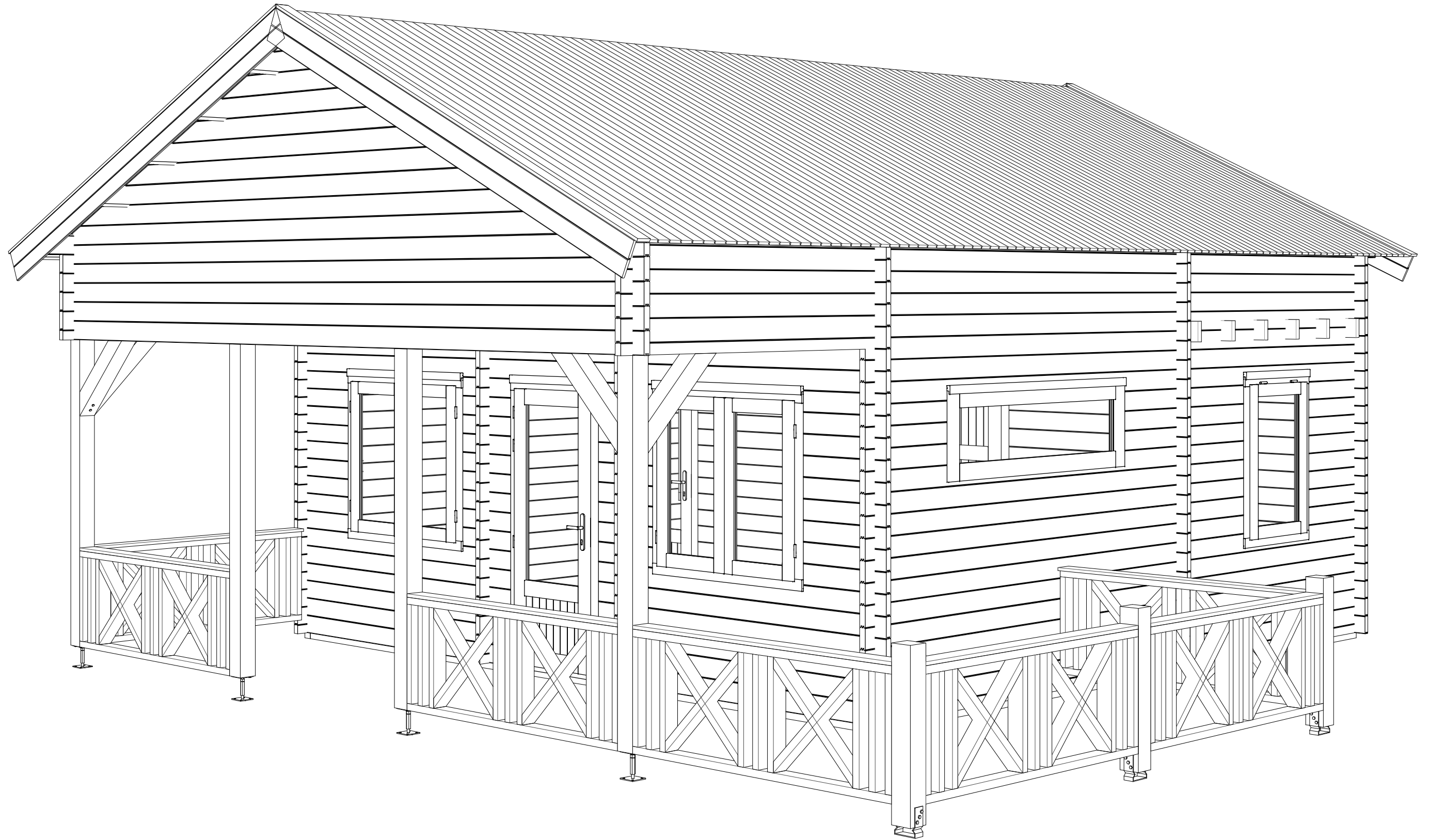


**FLOOR SCHEDULE**

Description	Area
2. story floor 18mm	14 m <sup>2</sup>

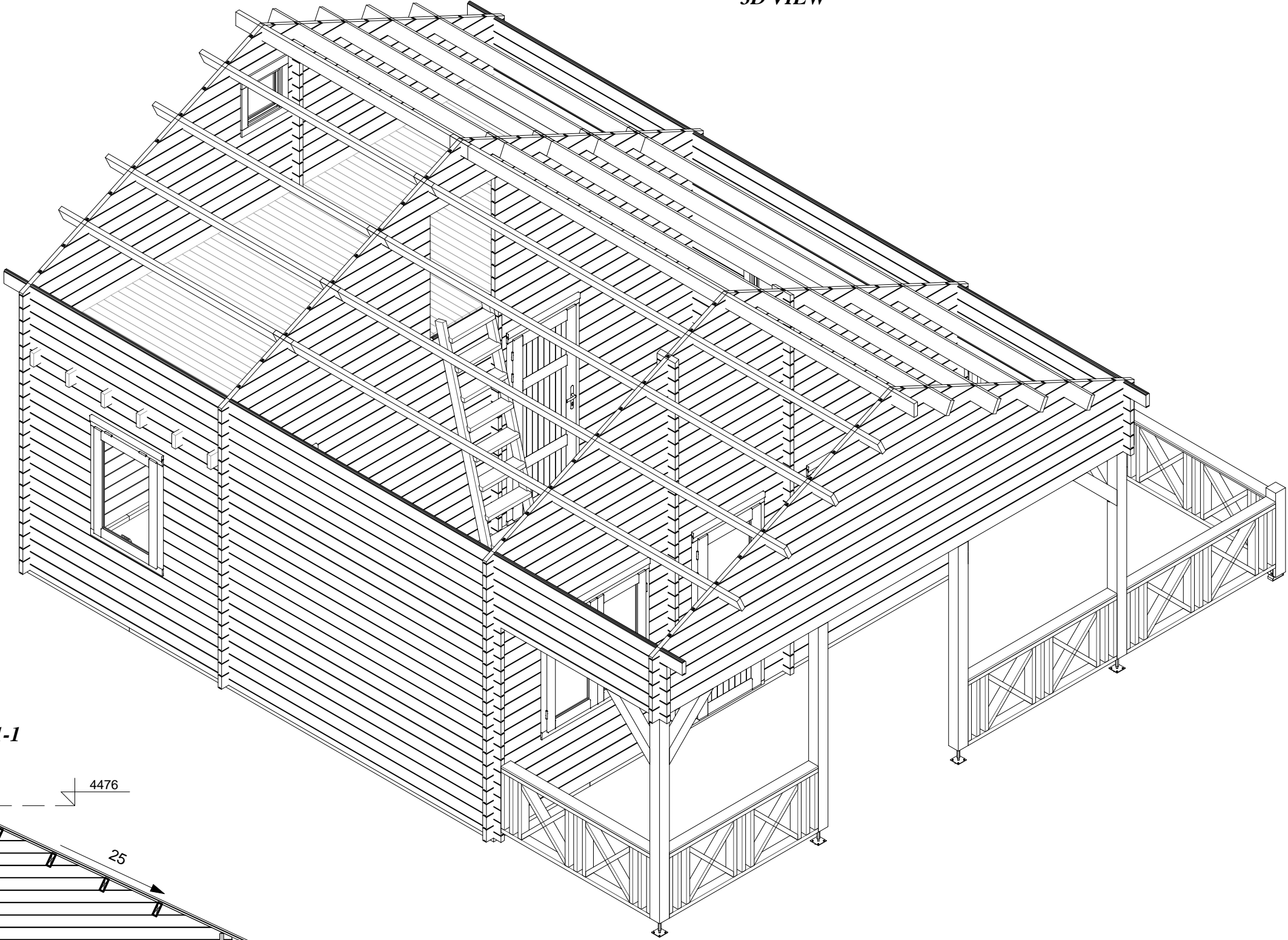
Project Nr. <b>HS_22_44 Log cabin 595x800cm 44mm</b>				
ARCHITECTURE DRAWINGS	Scale	Drawer	Sheet Nr.	Date
	1 : 50	RB	AR - 2	01.10.2021 14:46:12

**3D VIEW**

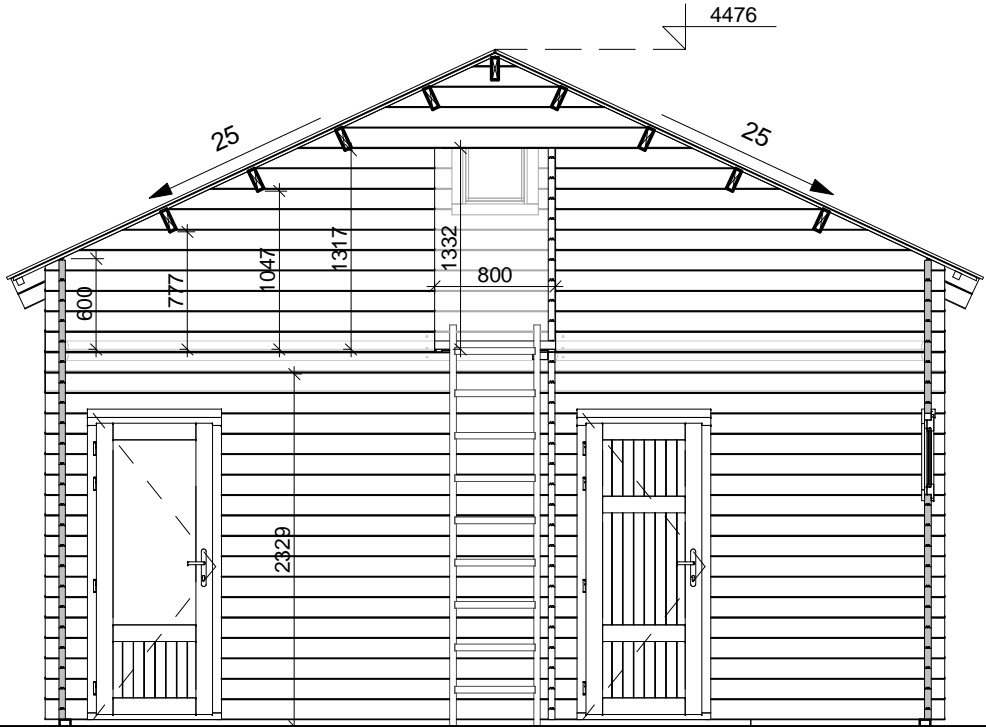


Project Nr. <b>HS_22_44 Log cabin 595x800cm 44mm</b>				
ARCHITECTURE DRAWINGS	Scale	Drawer	Sheet Nr.	Date
		RB	AR - 3	01.10.2021 14:46:13

3D VIEW

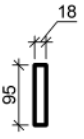
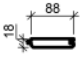
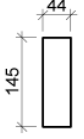
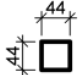
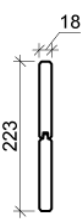


SECTION 1-1

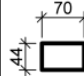
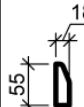
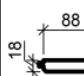
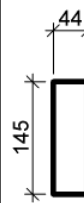
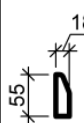


Project Nr. <b>HS_22_44 Log cabin 595x800cm 44mm</b>				
ARCHITECTURE DRAWINGS	Scale	Drawer	Sheet Nr.	Date
	1 : 50	RB	AR - 4	01.10.2021 14:46:15

## ROOF PART SPECIFICATION

Type Image	Keynote	Description
	CB 18x95	Cover board
	RB 18x88	Roof board 18mm
	RJ 44x145	Roof joist 44x145
	RS 44x44	Roof side board 44x44
	WB 18mm	Wind board 18mm

## FLOOR PART SPECIFICATION

Type Image	Keynote	Description
	BB 44x70	Base beam 44x70
	CS	Ceiling skirting
	FB	Mezzanine floor board 18mm
	FJ 44x145	Mezzanine floor joist 44x145
	FS	Mezzanine floor skirting

## DOOR SCHEDULE

Keynote	Count
SD-1 L	2
SD-2 L	1
	3

## WINDOW SCHEDULE

Keynote	Count
SDW-1	2
SFW-2	1
SFW-3 Horizontal	1
SW-1	2
	6

## ROOF SCHEDULE

Roof cover	Area
Apex	59 m <sup>2</sup>

## FLOOR SCHEDULE

Description	Area
2. story floor 18mm	14 m <sup>2</sup>

Project Nr.

**HS\_22\_44 Log cabin 595x800cm 44mm**

ARCHITECTURE  
DRAWINGS

Scale

Drawer

Sheet Nr.

Date

RB

AR - 5

01.10.2021  
14:46:32