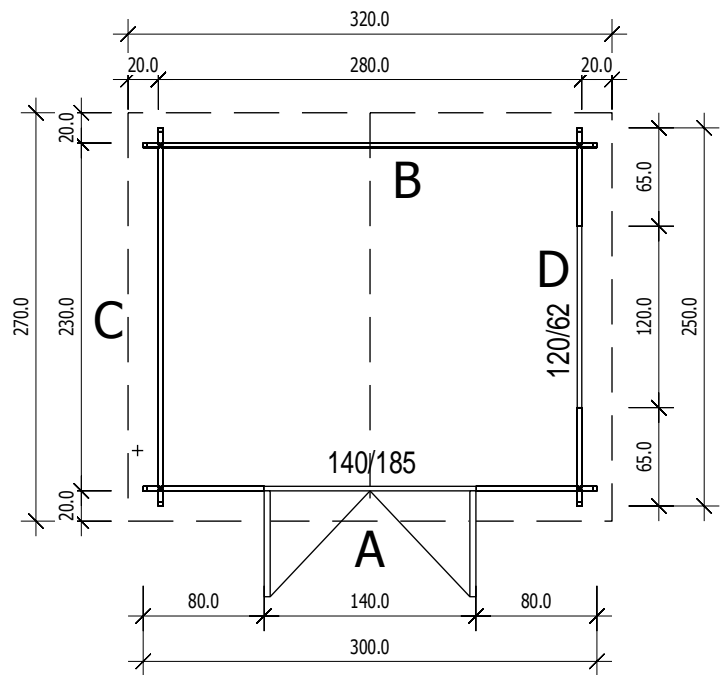
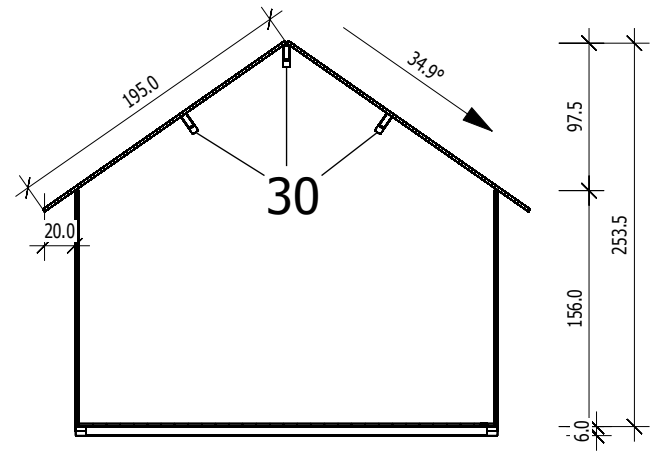




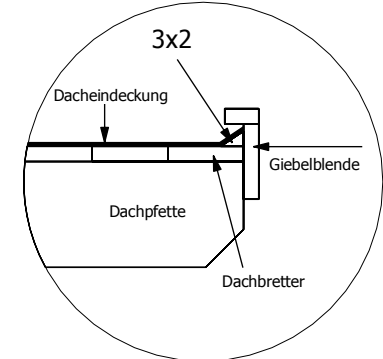
Grundriss



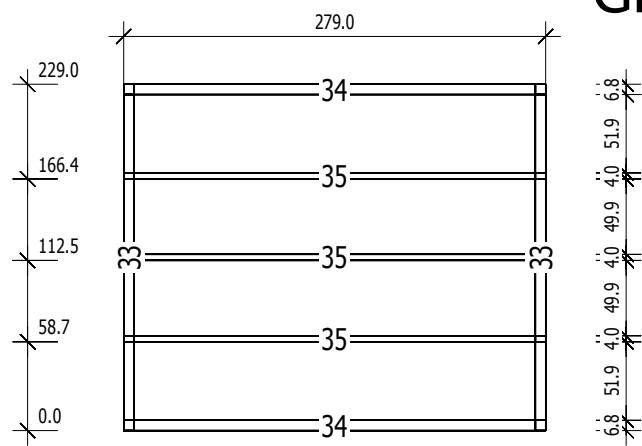
Schnitt



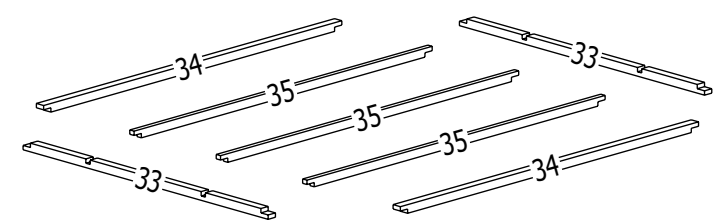
3,0

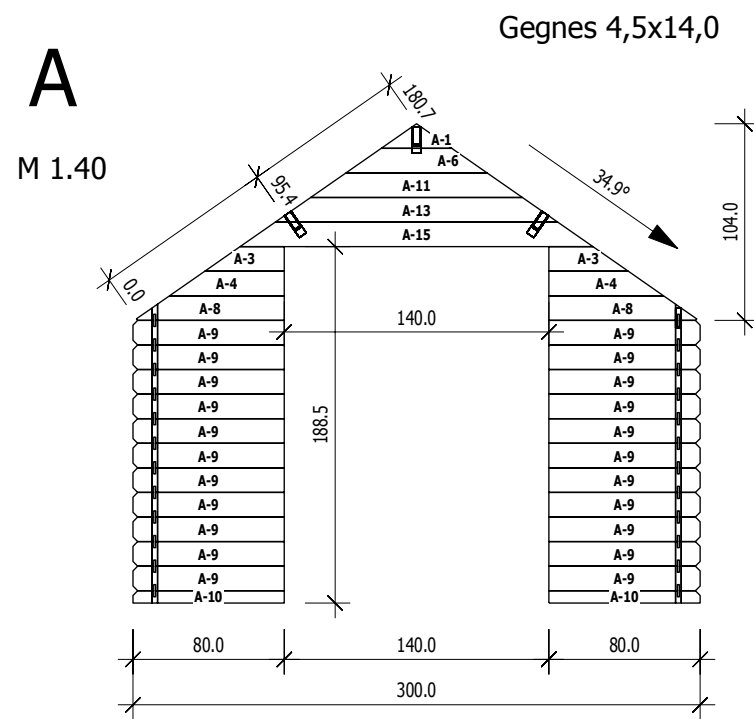


Grundrahmenplan

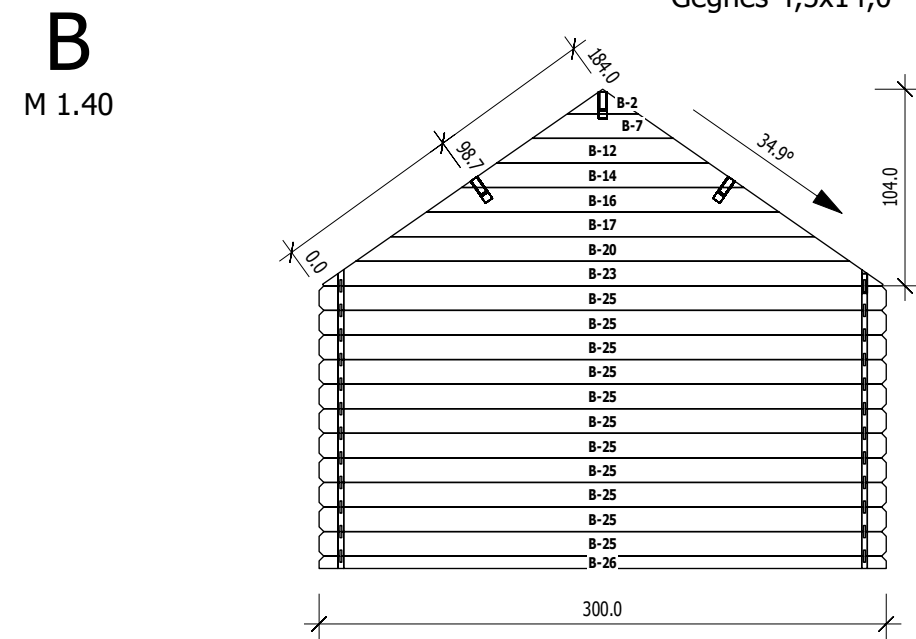


Detal. Nr.	El. pav.	Storis/Plotis	Aukstis	Ilgis	Vnt.
		[cm]	[cm]	[cm]	
33	Pagrindas	6,8	6,0	229,0	2
34	Pagrindas	6,8	6,0	279,0	2
35	Lages	4,0	6,0	279,0	3

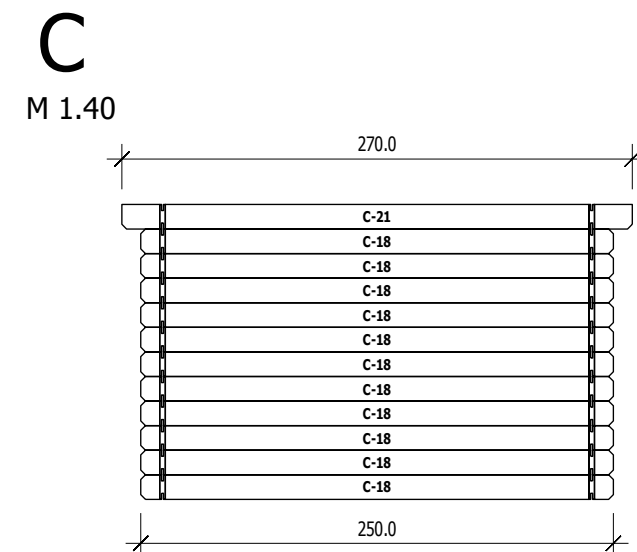




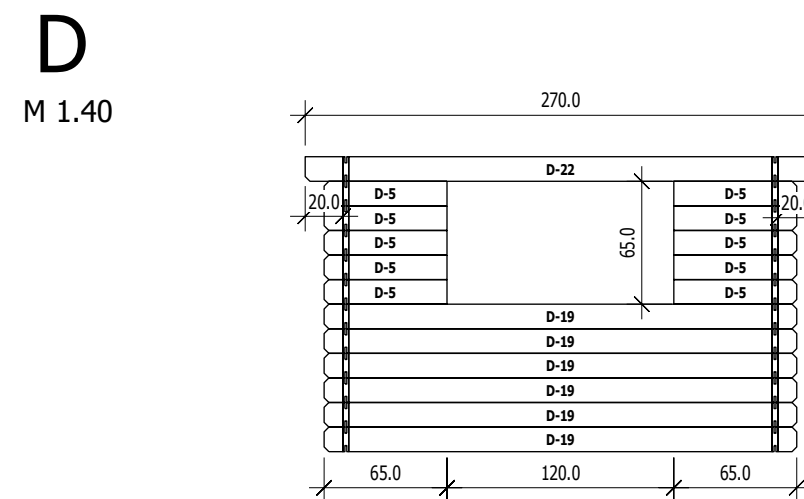
Nr	H	L	Psc
A 1	13.0	37.3	1
A 3	13.0	42.0	2
A 4	13.0	60.7	2
A 6	13.0	74.7	1
A 8	13.0	78.3	2
A 9	13.0	80.0	22
A 10	6.5	80.0	2
A 11	13.0	112.0	1
A 13	13.0	149.3	1
A 15	13.0	186.7	1



Nr	H	L	Psc
B 2	13.0	37.3	1
B 7	13.0	74.7	1
B 12	13.0	112.0	1
B 14	13.0	149.3	1
B 16	13.0	186.7	1
B 17	13.0	224.0	1
B 20	13.0	261.3	1
B 23	13.0	296.5	1
B 25	13.0	300.0	11
B 26	6.5	300.0	1



Nr	H	L	Psc
C 18	13.0	250.0	11
C 21	13.0	270.0	1



Nr	H	L	Psc
D 5	13.0	65.0	10
D 19	13.0	250.0	6

Projektas Uzasakymo Nr.	Brezinys Siena A B C D	Mastelis 1 :
NL-160541		Data 2016 06 16
		Projektavo R.Kregzde