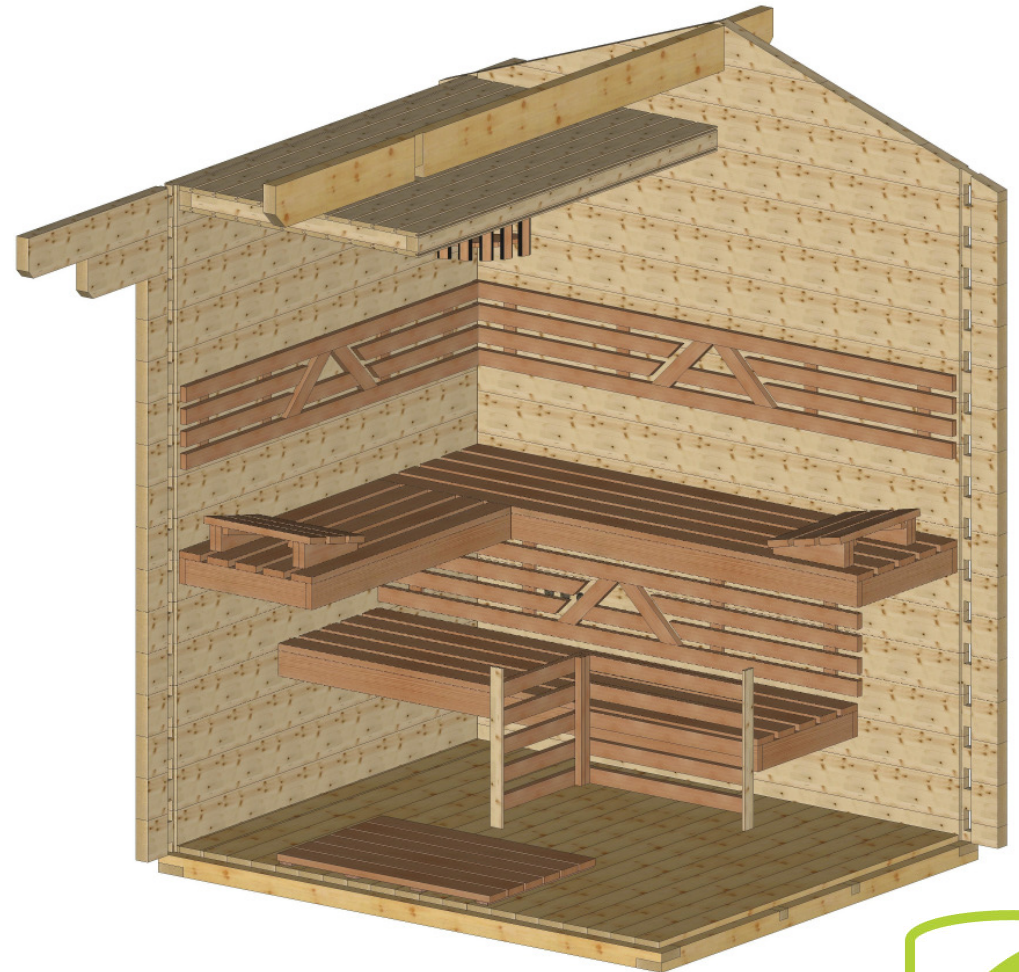


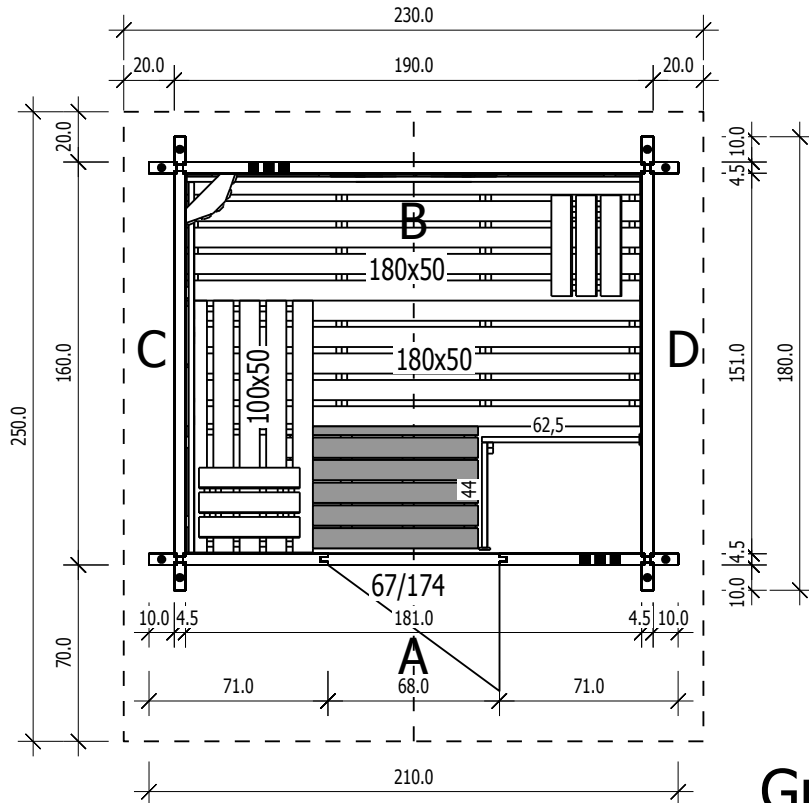
ABS-2118



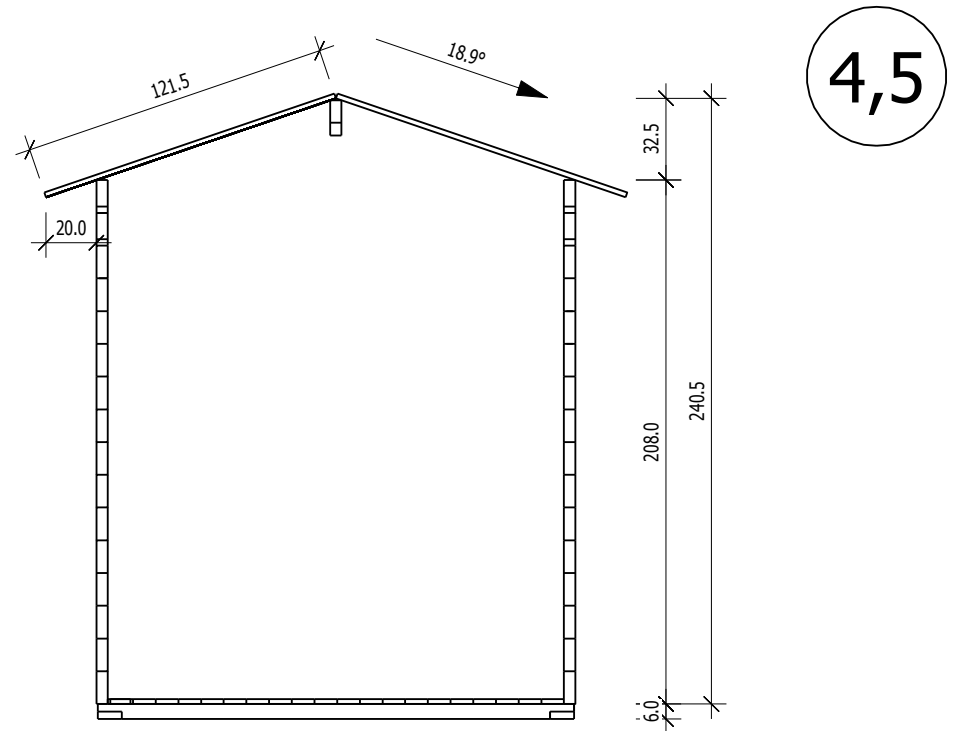
Bemerkung: die Ansicht von Turen, Fenster und anderen Teilen kann abweichen von diesem Bild



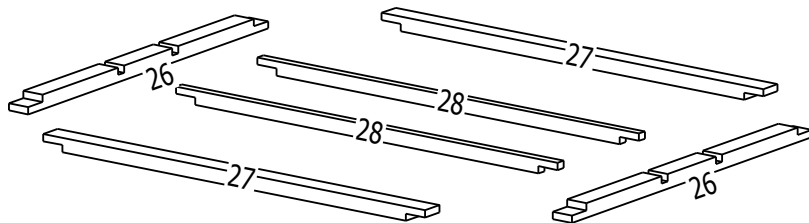
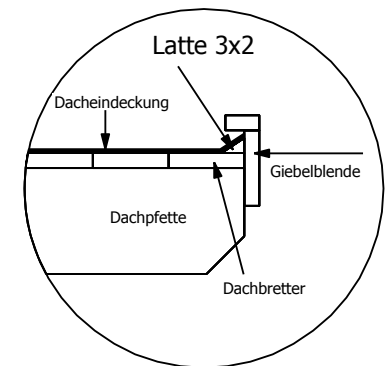
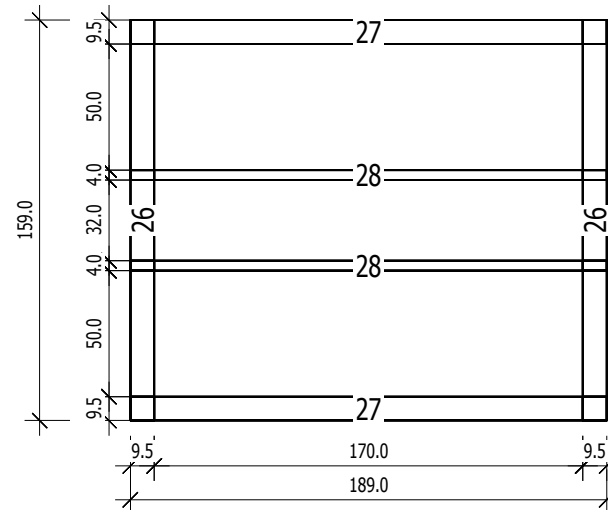
Grundriss



Schnitt

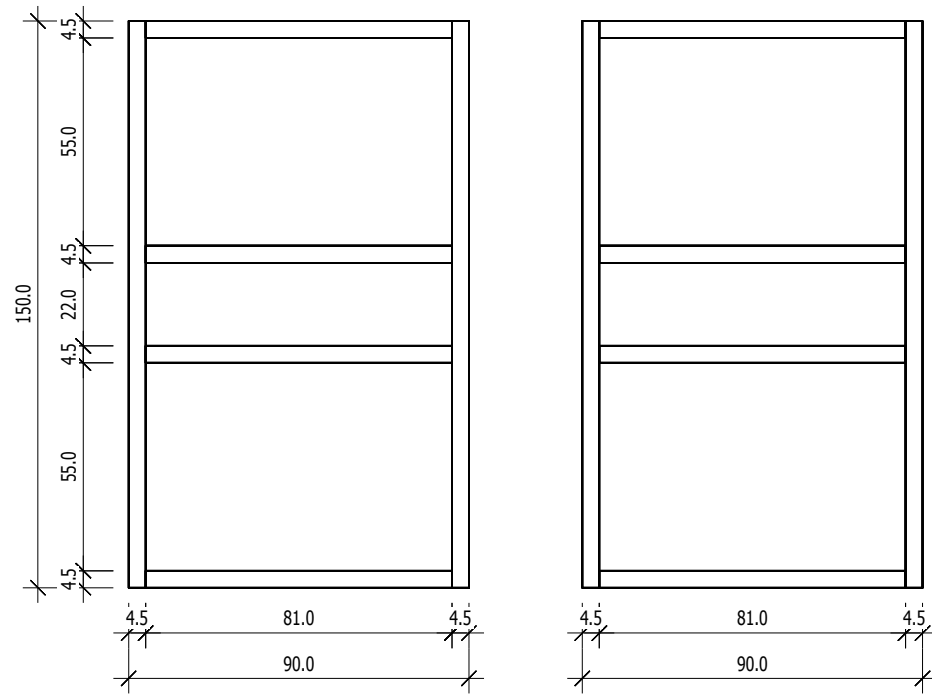


Grundrahmenplan



Dachelemente

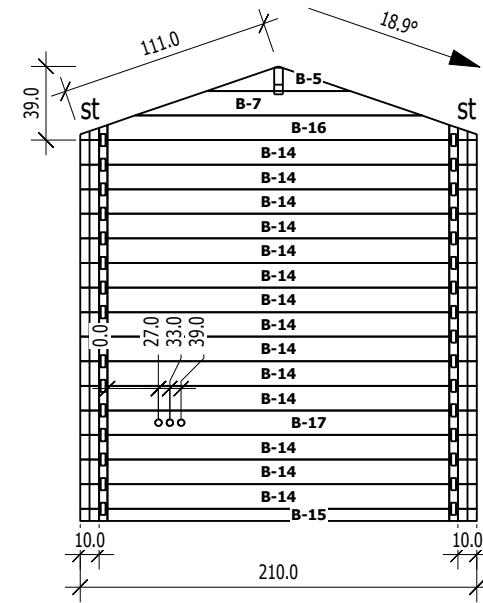
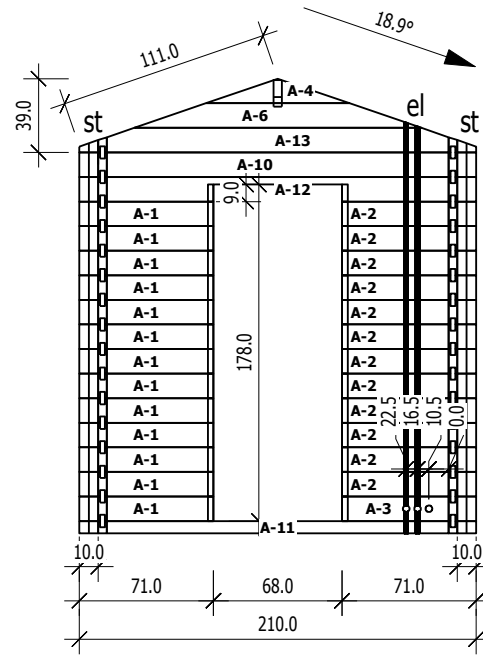
4,5



4,5

B
M 1:40

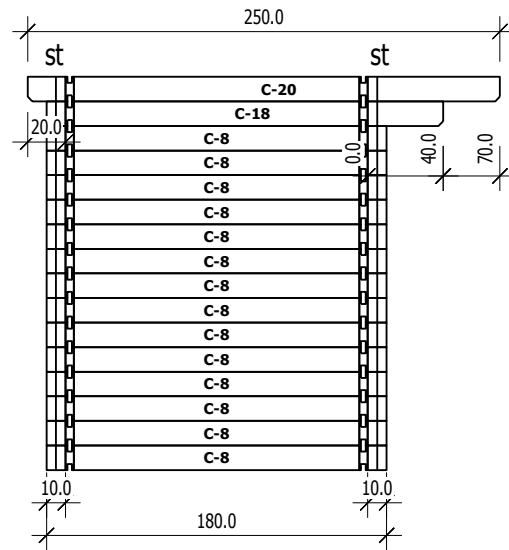
| | Nr | H | L | Psc |
|---|----|------|-------|-----|
| A | 1 | 13.0 | 71.0 | 13 |
| A | 2 | 13.0 | 71.0 | 12 |
| A | 3 | 13.0 | 71.0 | 1 |
| A | 4 | 13.0 | 76.0 | 1 |
| A | 6 | 13.0 | 152.0 | 1 |
| A | 10 | 13.0 | 210.0 | 1 |
| A | 11 | 6.5 | 210.0 | 1 |
| A | 12 | 13.0 | 210.0 | 1 |
| A | 13 | 13.0 | 210.0 | 1 |



| | Nr | H | L | Psc |
|---|----|------|-------|-----|
| B | 5 | 13.0 | 76.0 | 1 |
| B | 7 | 13.0 | 152.0 | 1 |
| B | 14 | 13.0 | 210.0 | 14 |
| B | 15 | 6.5 | 210.0 | 1 |
| B | 17 | 13.0 | 210.0 | 1 |
| B | 16 | 13.0 | 210.0 | 1 |

C
M 1:40

| | Nr | H | L | Psc |
|---|----|------|-------|-----|
| C | 8 | 13.0 | 180.0 | 14 |
| C | 18 | 13.0 | 210.0 | 1 |
| C | 20 | 13.0 | 250.0 | 1 |



D
M 1:40

| | Nr | H | L | Psc |
|---|----|------|-------|-----|
| D | 9 | 13.0 | 180.0 | 14 |
| D | 19 | 13.0 | 210.0 | 1 |
| D | 21 | 13.0 | 250.0 | 1 |

