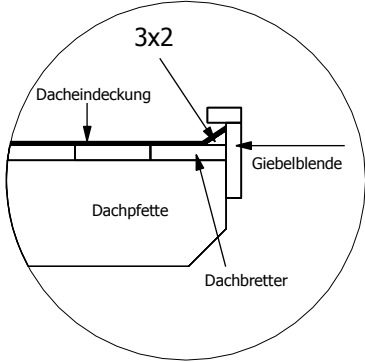
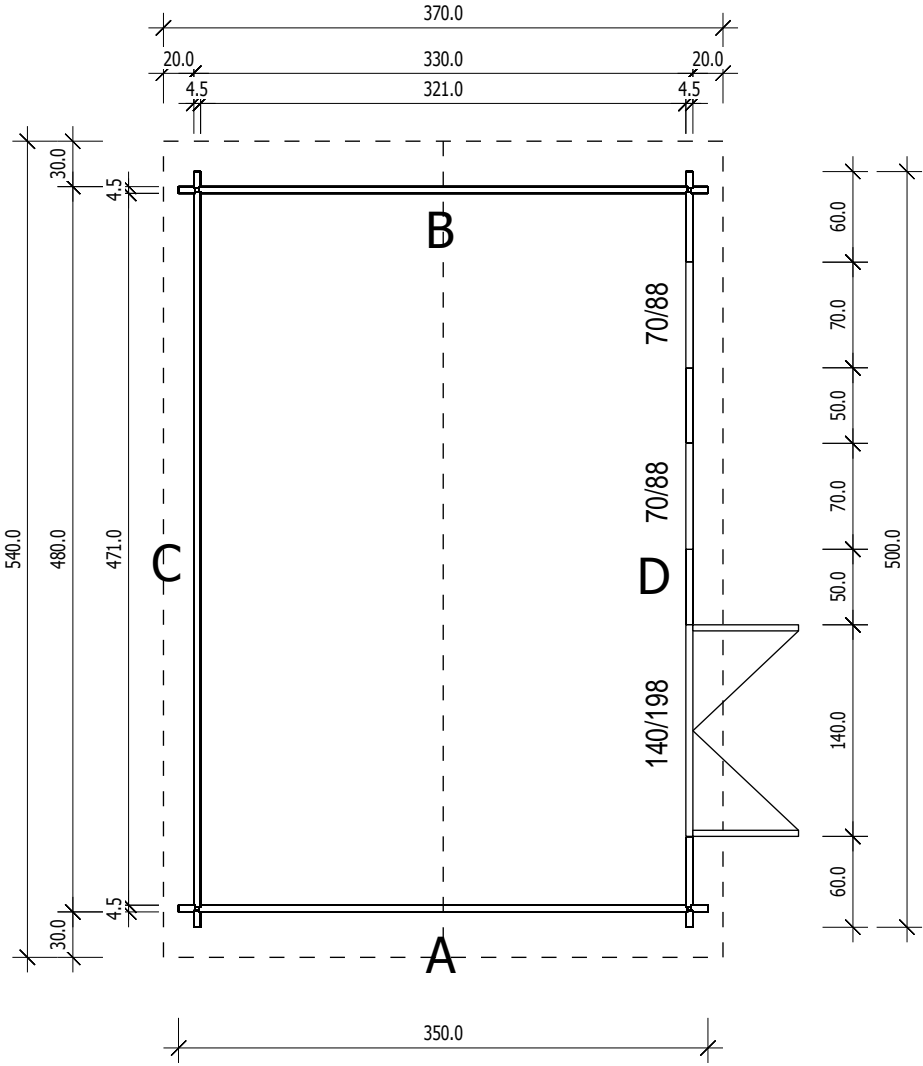


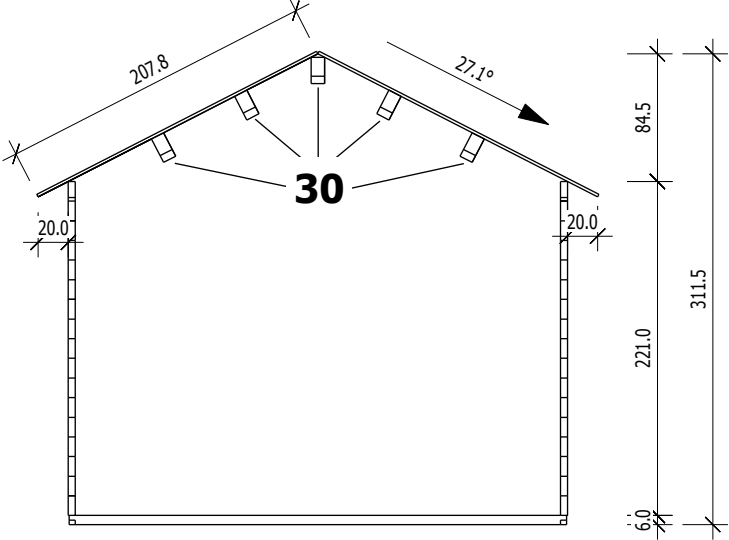


Bemerkung: die Ansicht von Turen, Fenster und anderen Teilen kann abweichen von diesem Bild

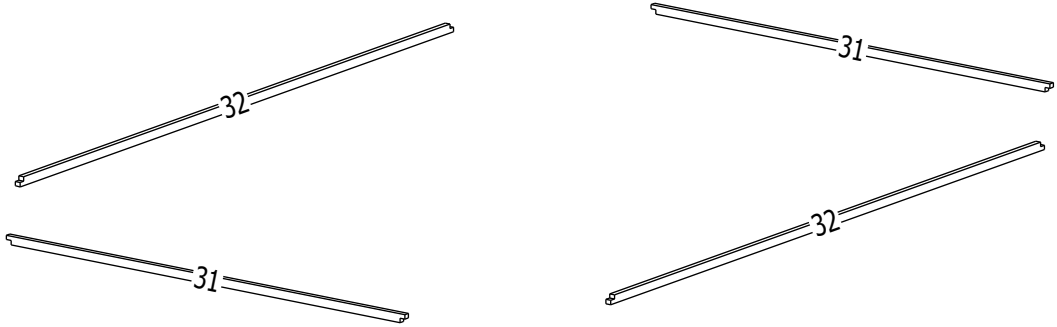
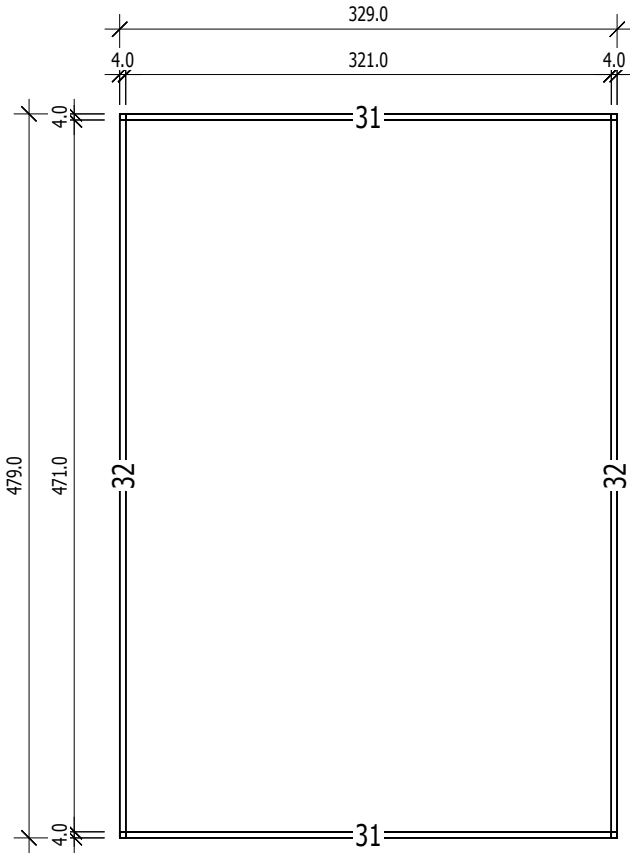
Grundriss



Schnitt

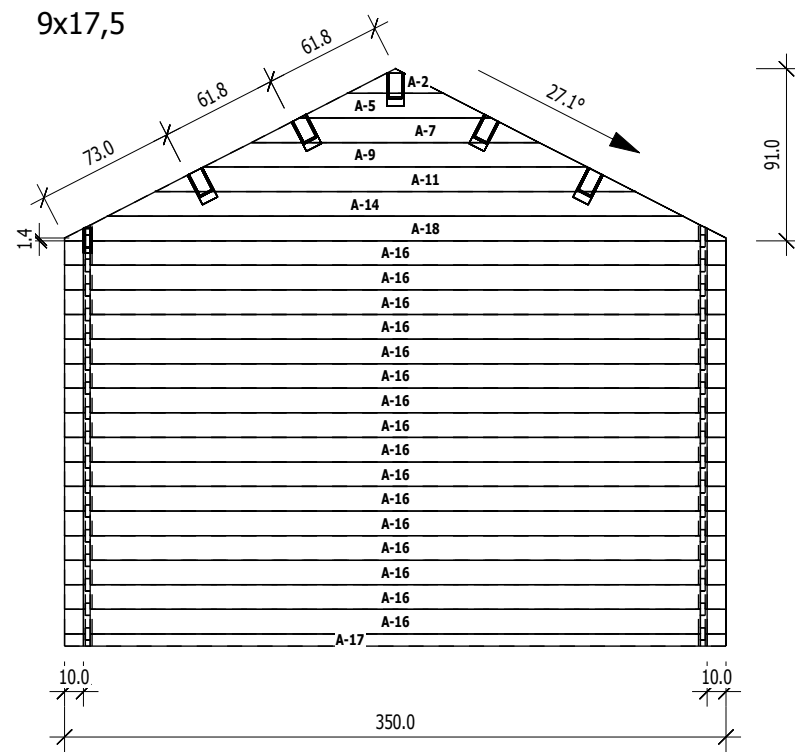


Grundrahmenplan



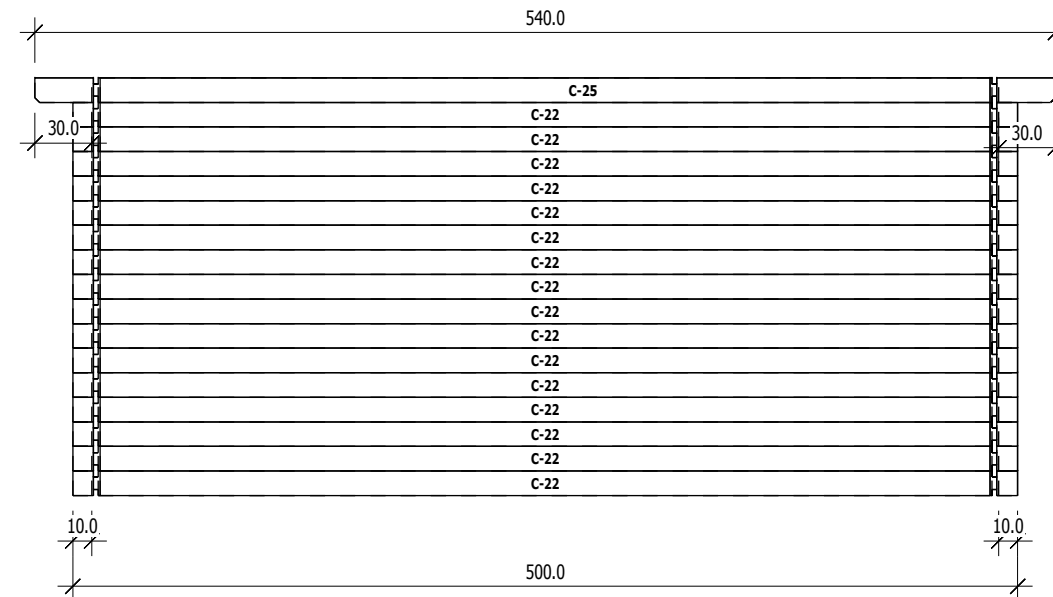
| Nr. | B | H | L | Psc |
|-----|------|------|-------|-----|
| | [cm] | [cm] | [cm] | |
| 31 | 4,0 | 6,0 | 329,0 | 2 |
| 32 | 4,0 | 6,0 | 479,0 | 2 |

A
M 1:40



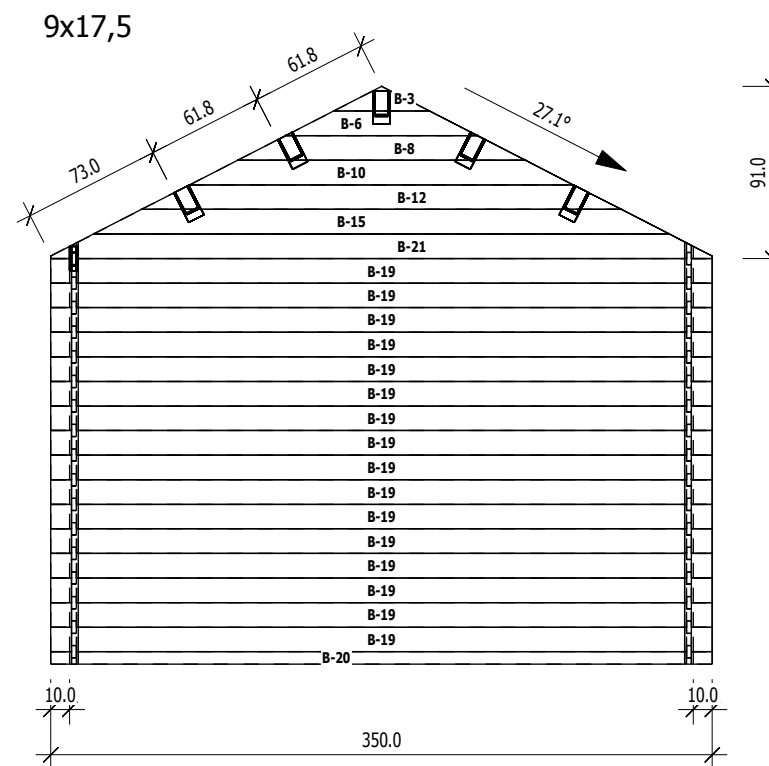
| | Nr | H | L | Psc |
|---|----|------|-------|-----|
| A | 2 | 13.0 | 50.8 | 1 |
| A | 5 | 13.0 | 101.5 | 1 |
| A | 7 | 13.0 | 152.3 | 1 |
| A | 9 | 13.0 | 203.1 | 1 |
| A | 11 | 13.0 | 253.8 | 1 |
| A | 14 | 13.0 | 304.6 | 1 |
| A | 16 | 13.0 | 350.0 | 16 |
| A | 17 | 6.5 | 350.0 | 1 |
| A | 18 | 13.0 | 350.0 | 1 |

C
M 1:40



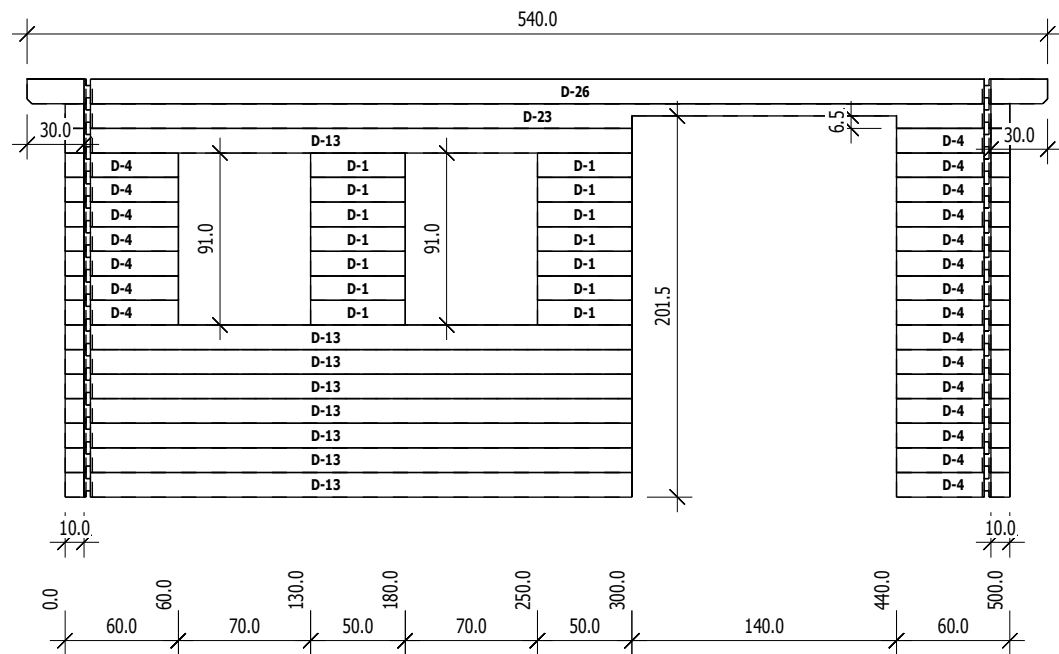
| | Nr | H | L | Psc |
|---|----|------|-------|-----|
| C | 22 | 13.0 | 500.0 | 16 |
| C | 25 | 13.0 | 540.0 | 1 |

B
M 1:40



| | Nr | H | L | Psc |
|---|----|------|-------|-----|
| B | 3 | 13.0 | 50.8 | 1 |
| B | 6 | 13.0 | 101.5 | 1 |
| B | 8 | 13.0 | 152.3 | 1 |
| B | 10 | 13.0 | 203.1 | 1 |
| B | 12 | 13.0 | 253.8 | 1 |
| B | 15 | 13.0 | 304.6 | 1 |
| B | 19 | 13.0 | 350.0 | 16 |
| B | 20 | 6.5 | 350.0 | 1 |
| B | 21 | 13.0 | 350.0 | 1 |

D
M 1:40



| | Nr | H | L | Psc |
|---|----|------|-------|-----|
| D | 1 | 13.0 | 50.0 | 14 |
| D | 4 | 13.0 | 60.0 | 22 |
| D | 13 | 13.0 | 300.0 | 8 |
| D | 23 | 13.0 | 500.0 | 1 |
| D | 26 | 13.0 | 540.0 | 1 |