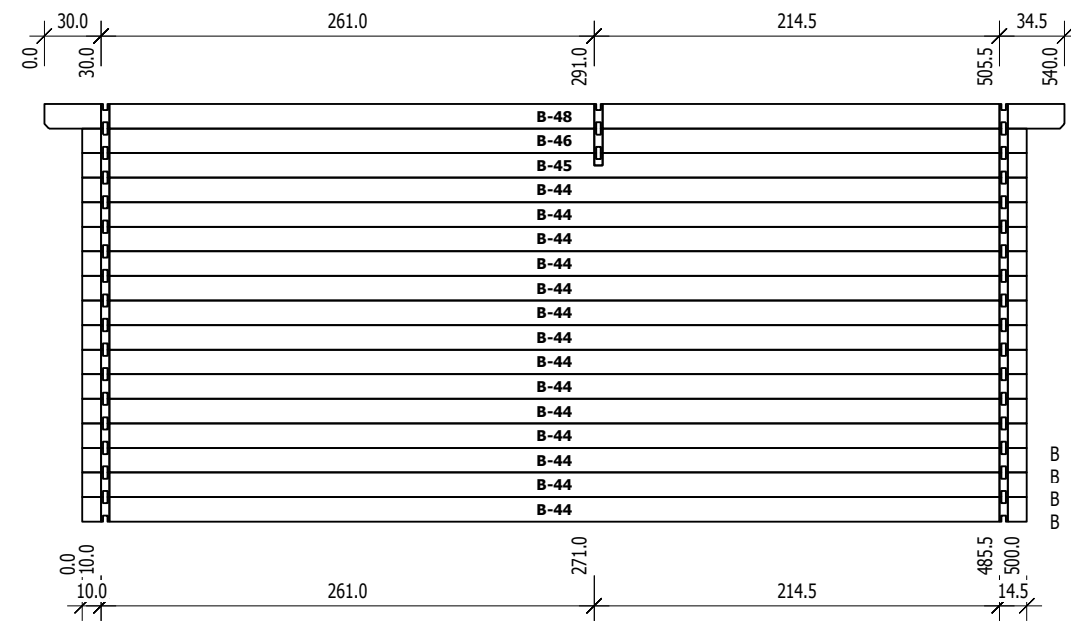
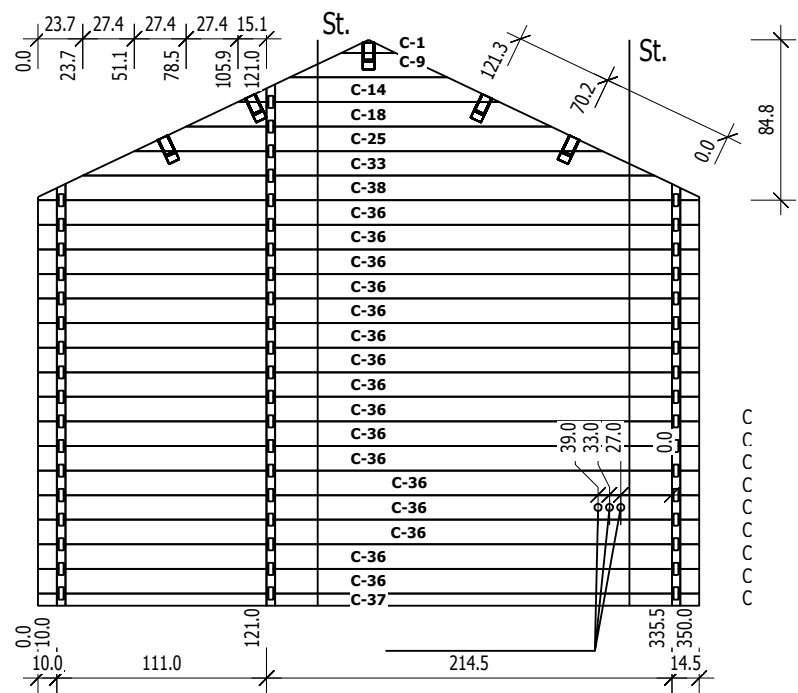


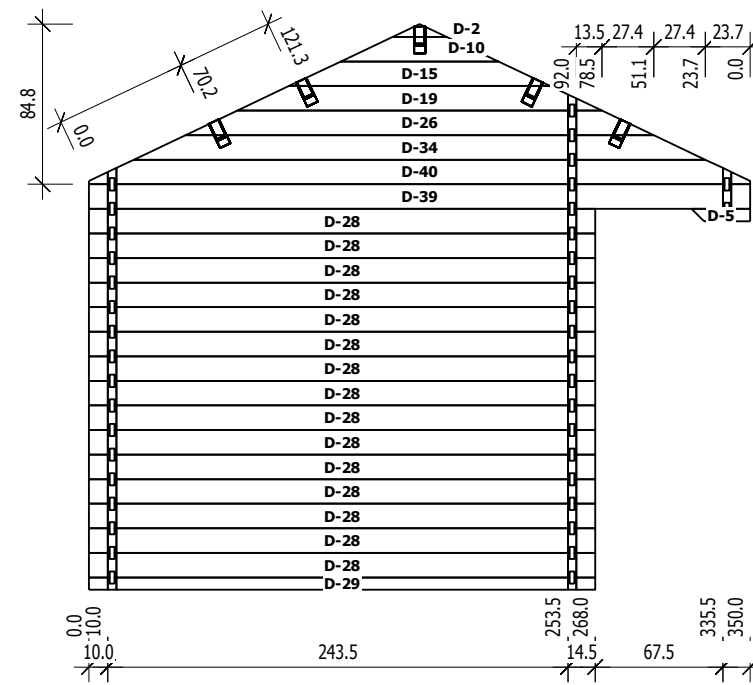
	Nr	H	L	Psc
A	12	13.0	84.5	10
A	21	13.0	239.0	10
A	43	13.0	500.0	1
A	47	13.0	540.0	1



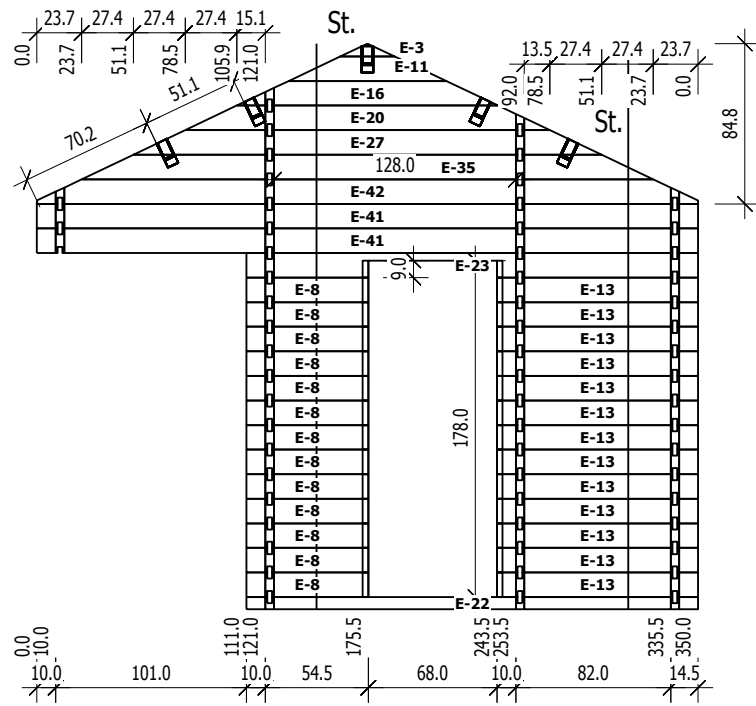
	Nr	H	L	Psc
B	44	13.0	500.0	14
B	45	13.0	500.0	1
B	46	13.0	500.0	1
B	48	13.0	540.0	1



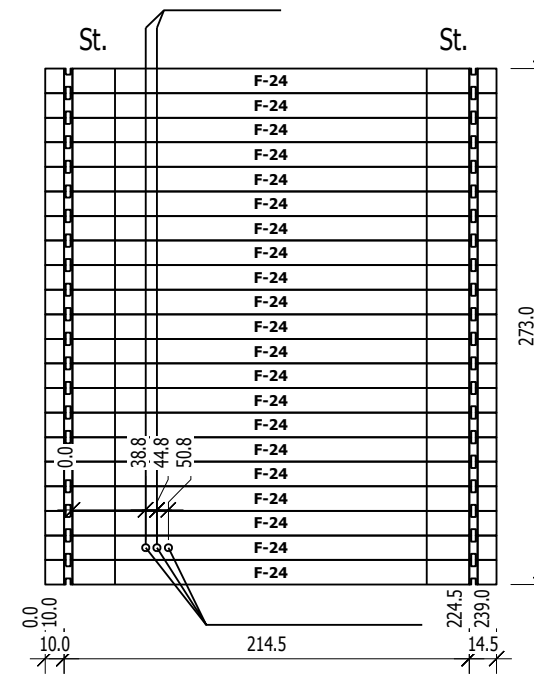
	Nr	H	L	Psc
C	1	6.8	28.7	1
C	9	13.0	83.5	1
C	14	13.0	138.2	1
C	18	13.0	193.0	1
C	25	13.0	247.8	1
C	33	13.0	302.6	1
C	36	13.0	350.0	16
C	37	6.5	350.0	1
C	38	13.0	350.0	1



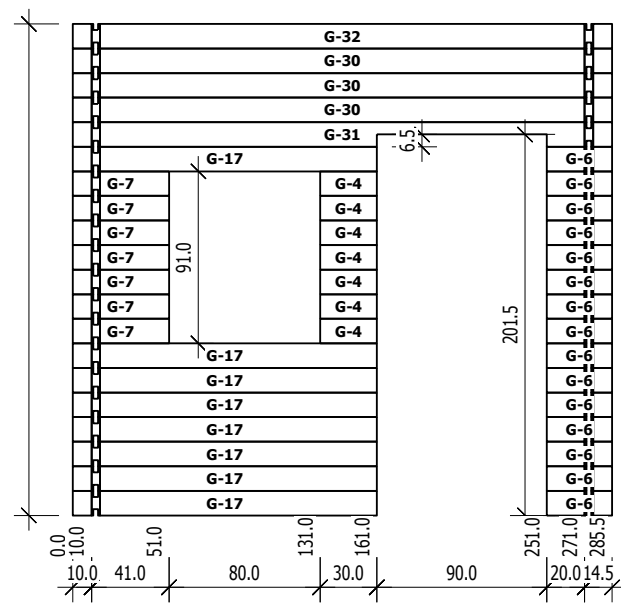
	Nr	H	L	Psc
D	2	6.8	28.7	1
D	5	6.5	31.0	1
D	10	13.0	83.5	1
D	15	13.0	138.2	1
D	19	13.0	193.0	1
D	26	13.0	247.8	1
D	28	13.0	268.0	15
D	29	6.5	268.0	1
D	34	13.0	302.6	1
D	39	13.0	350.0	1
D	40	13.0	350.0	1



	Nr	H	L	Psc
F	3	6.8	28.7	1
F	8	13.0	64.5	13
F	11	13.0	83.5	1
F	13	13.0	106.5	13
F	16	13.0	138.2	1
F	20	13.0	193.0	1
F	22	6.5	239.0	1
F	23	13.0	239.0	1
F	27	13.0	247.8	1
F	35	13.0	302.6	1
F	41	13.0	350.0	2
F	42	13.0	350.0	1



	Nr	H	L	Psc
F	24	13,0	239,0	21



	Nr	H	L	Psc
G	4	13.0	30.0	7
G	6	13.0	34.5	15
G	7	13.0	51.0	7
G	17	13.0	161.0	8
G	30	13.0	285.5	3
G	31	13.0	285.5	1
G	32	13.0	285.5	1