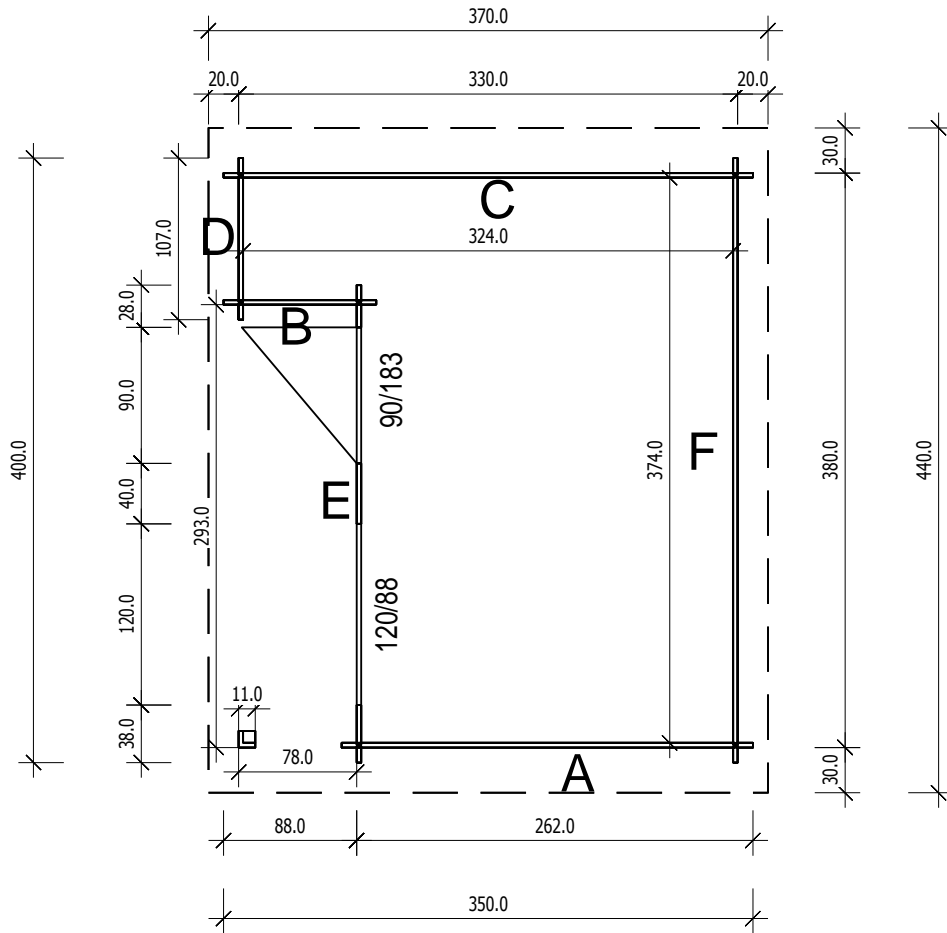


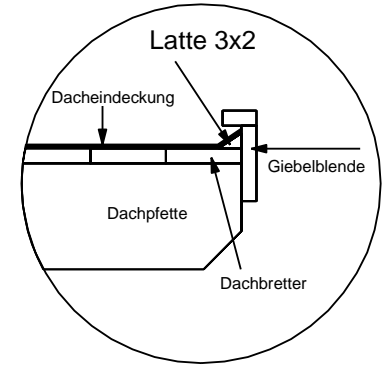
Notice: view of doors, windows and other details could be different in reality instead of view on this brochure



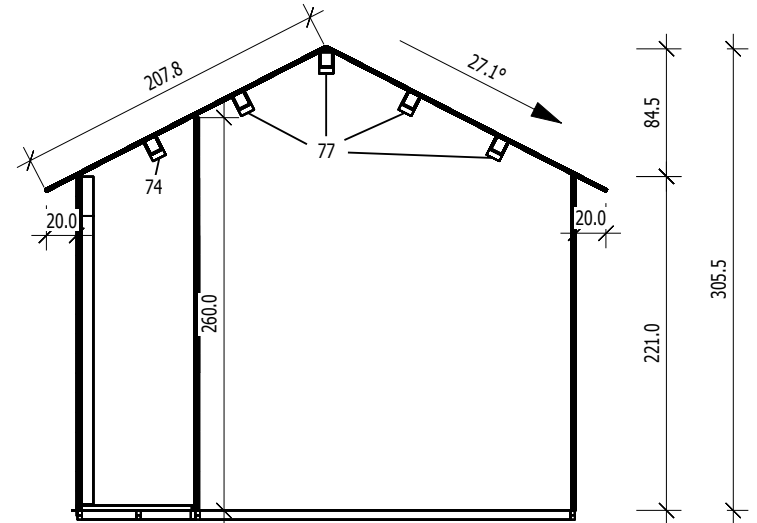
Grundriss



3,0

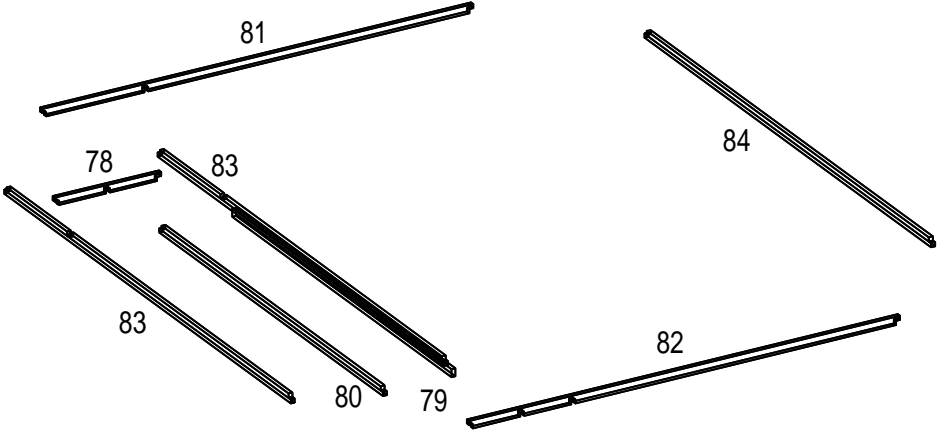
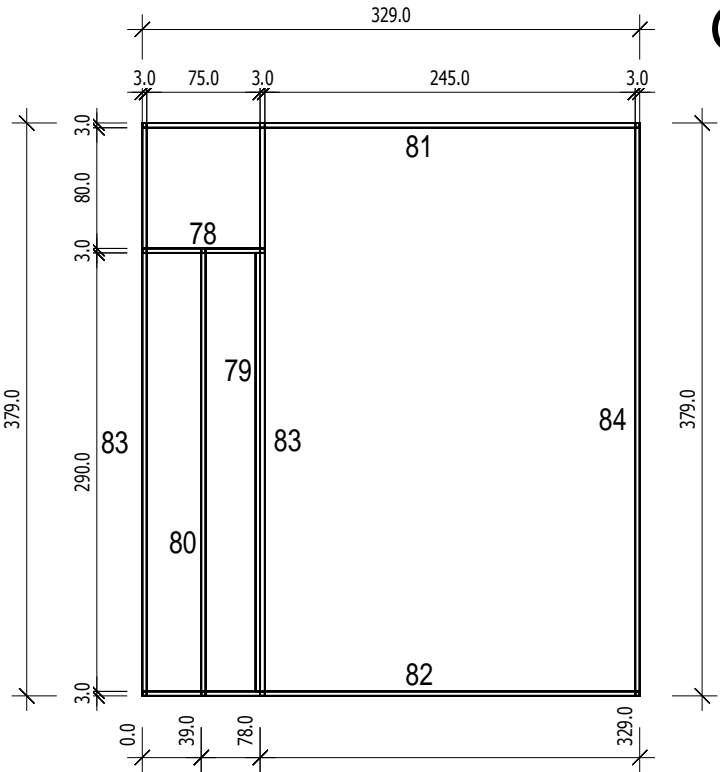


Schnitt

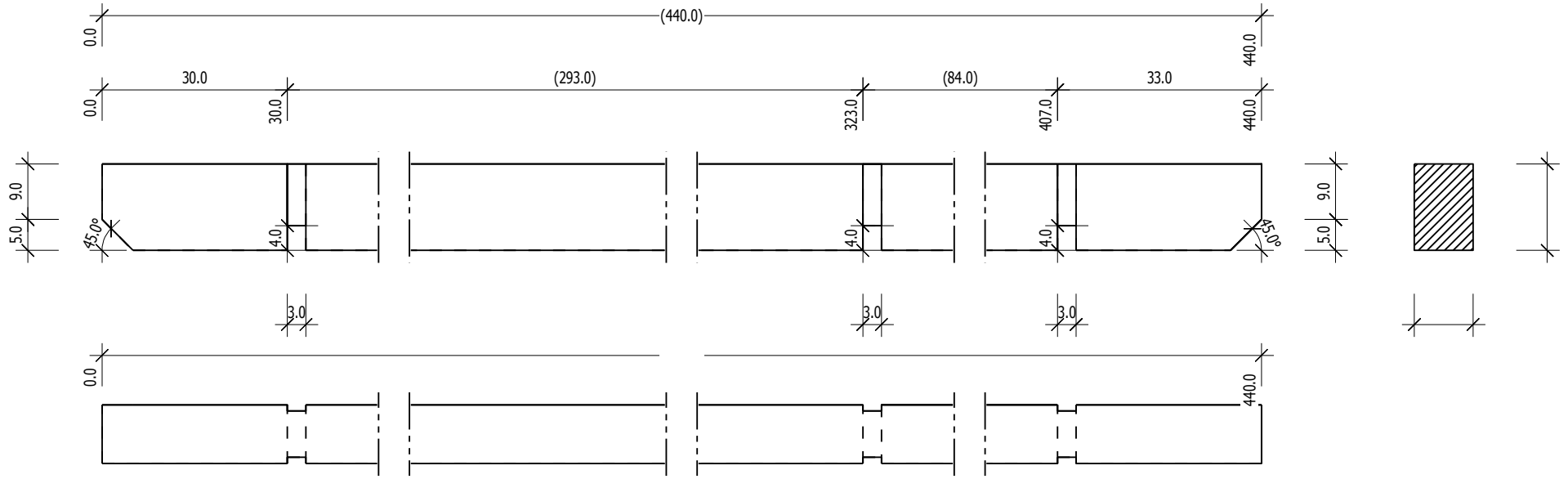


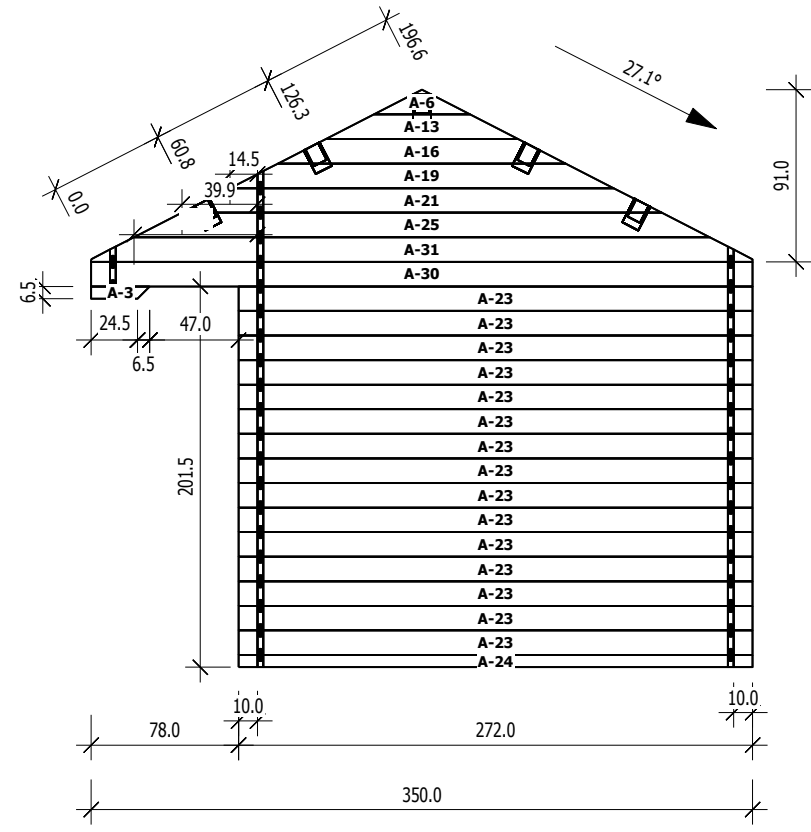
3,0

Grundrahmenplan

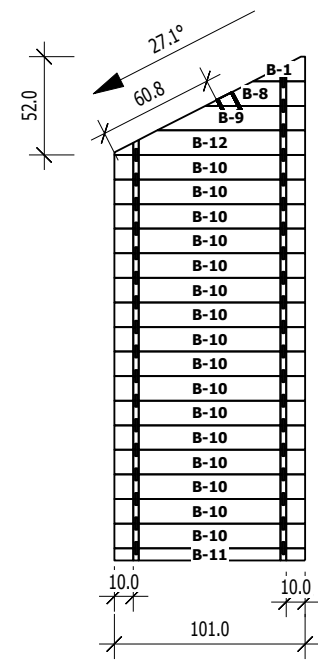


76



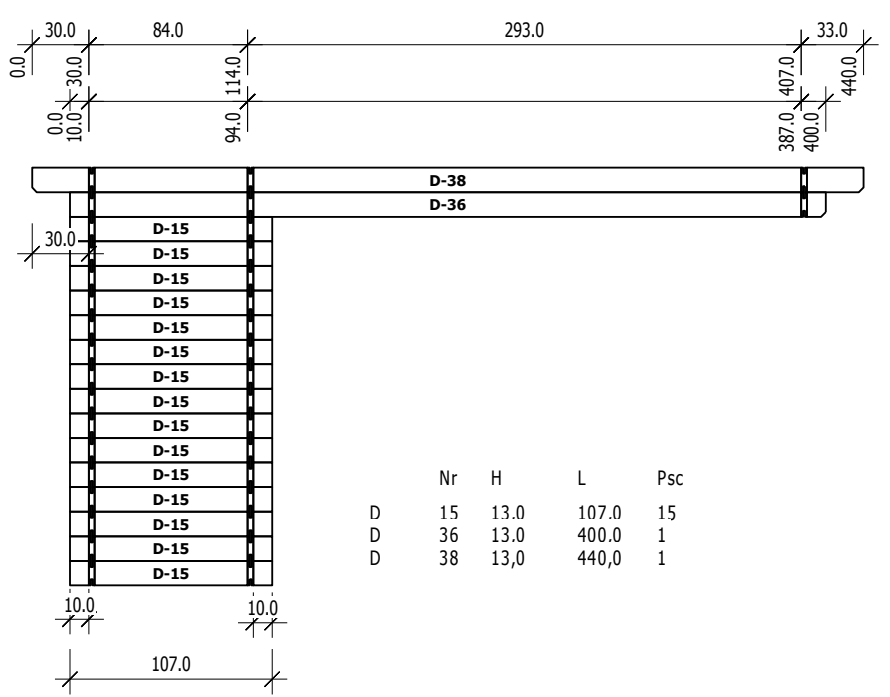
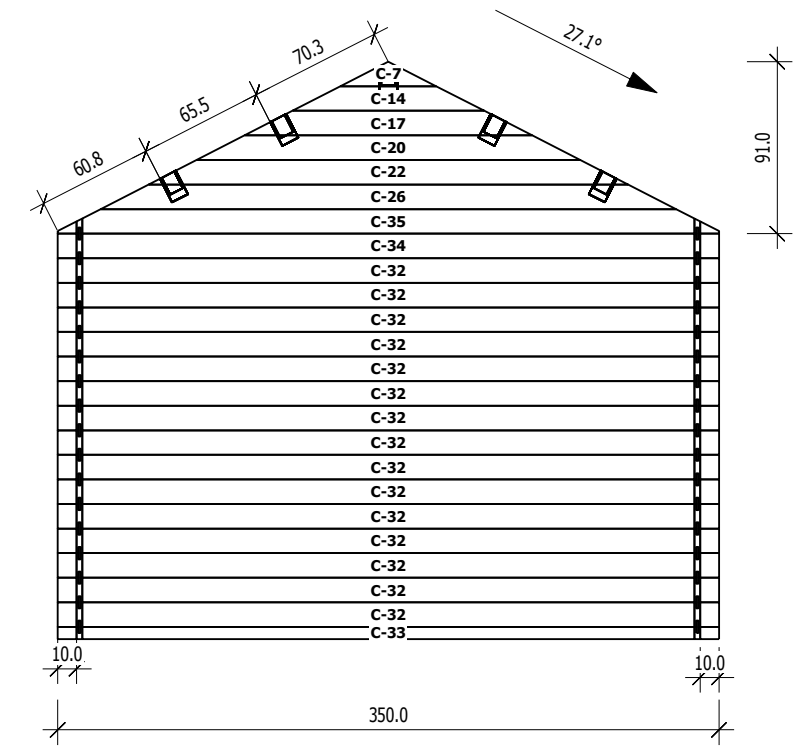


Nr	H	L	Psc	
A	3	6.5	31.0	1
A	6	13.0	50.8	1
A	13	13.0	101.5	1
A	16	13.0	152.3	1
A	19	13.0	203.1	1
A	21	13.0	253.8	1
A	23	13.0	272.0	15
A	24	6.5	272.0	1
A	25	13.0	304.6	1
A	30	13.0	350.0	1
A	31	13.0	350.0	1

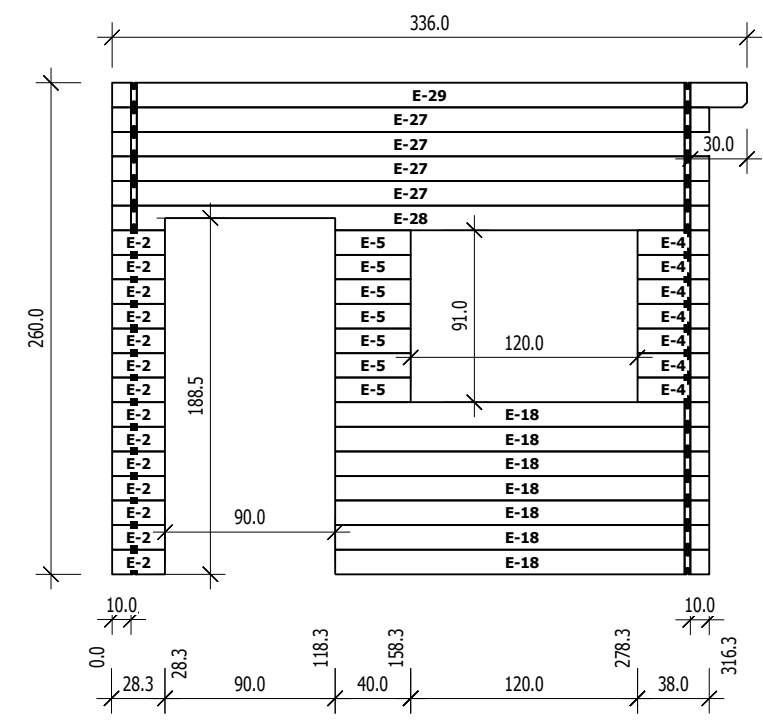


Nr	H	L	Psc	
B	1	13.0	27.5	1
B	8	13.0	52.9	1
B	9	13.0	78.3	1
B	10	13.0	101.0	16
B	11	6.5	101.0	1
B	12	13.0	101.0	1

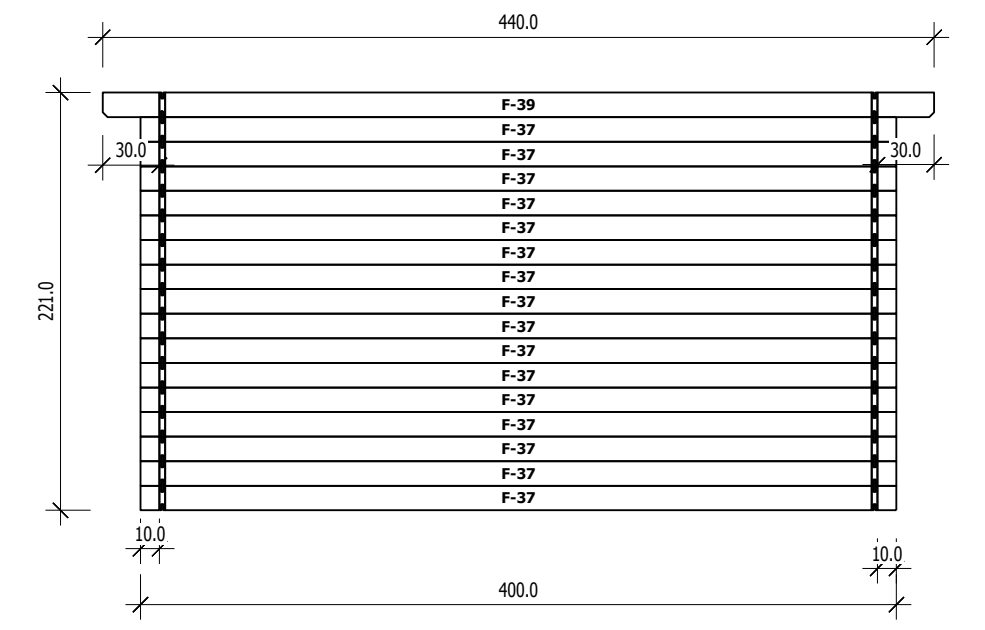
Nr	H	L	Psc	
C	7	13.0	50.8	1
C	14	13.0	101.5	1
C	17	13.0	152.3	1
C	20	13.0	203.1	1
C	22	13.0	253.8	1
C	26	13.0	304.6	1
C	32	13.0	350.0	15
C	33	6.5	350.0	1
C	34	13.0	350.0	1
C	35	13.0	350.0	1



Nr	H	L	Psc	
D	15	13.0	107.0	15
D	36	13.0	400.0	1
D	38	13.0	440.0	1

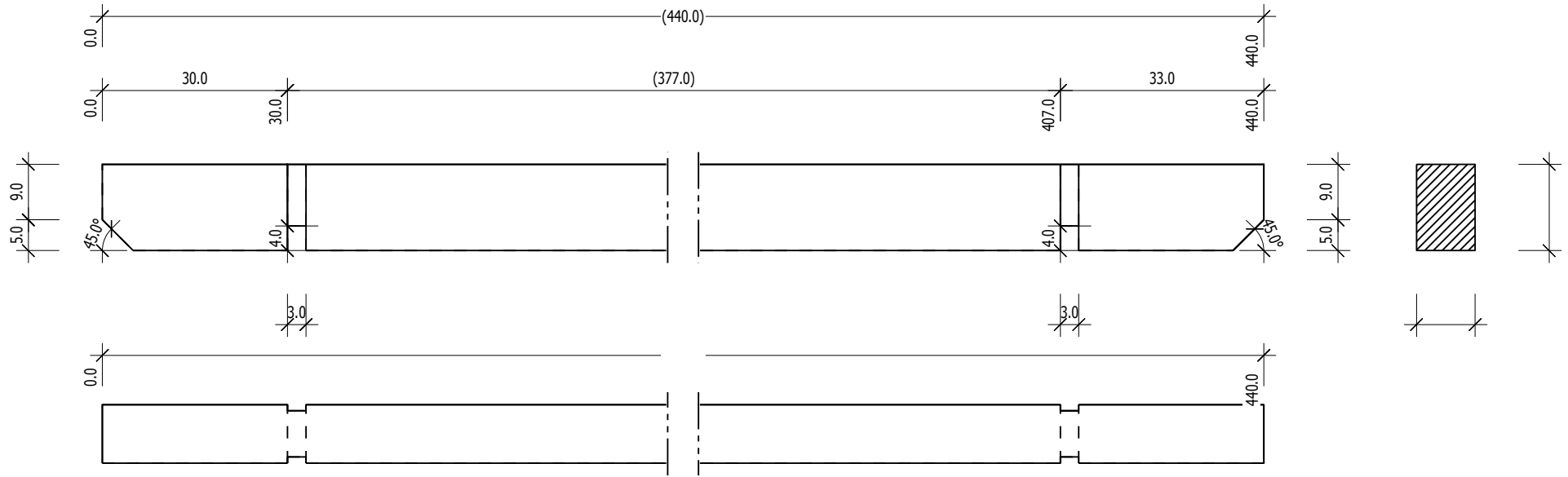


Nr	H	L	Psc	
E	2	13.0	28.0	14
E	4	13.0	38.0	7
E	5	13.0	40.0	7
E	18	13.0	198.0	7
E	27	13.0	316.0	4
E	28	13.0	316.0	1
E	29	13.0	336.0	1

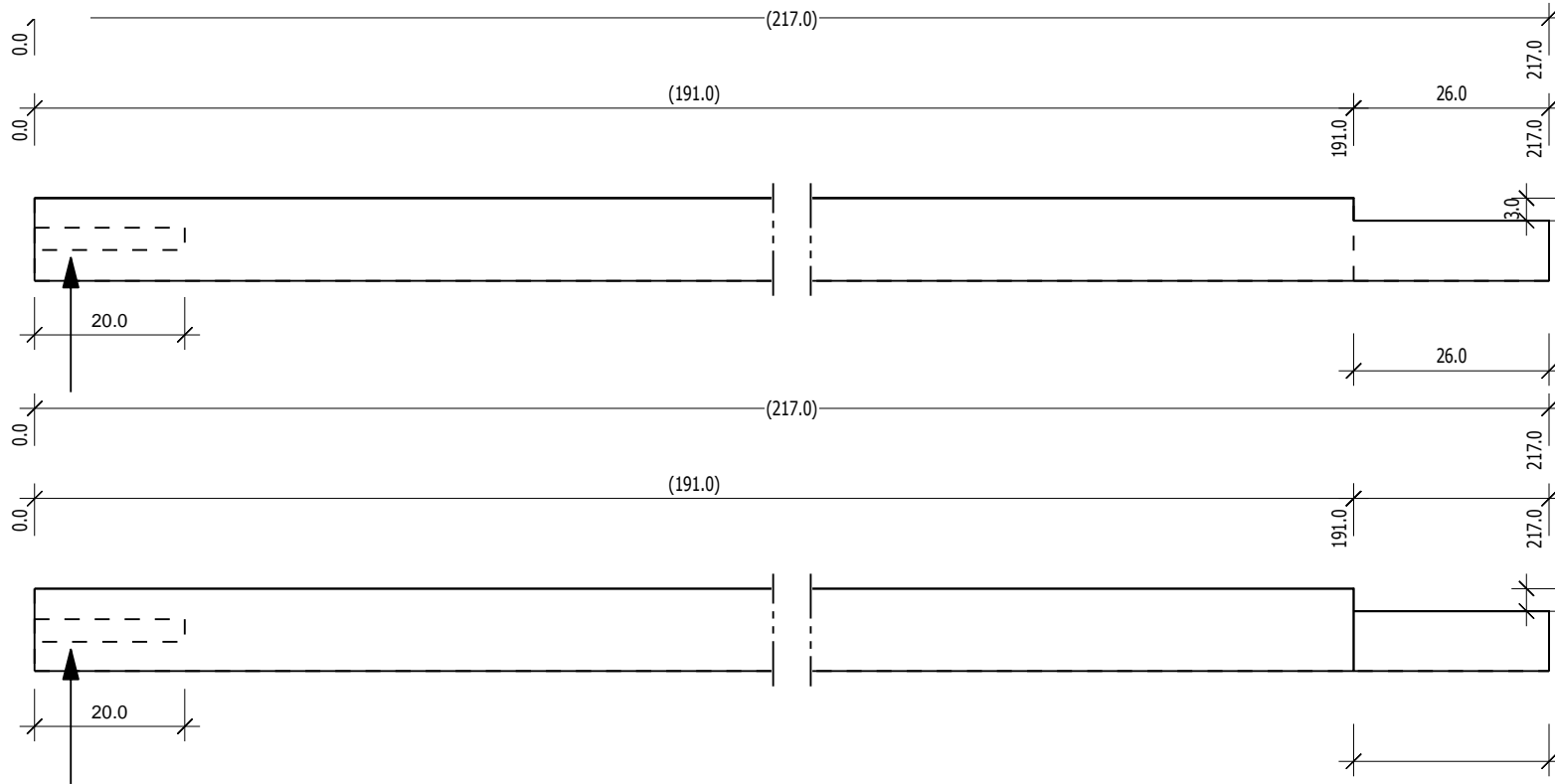


Nr	H	L	Psc	
F	37	13.0	400.0	16
F	39	13.0	440.0	1

77



56



3,0

