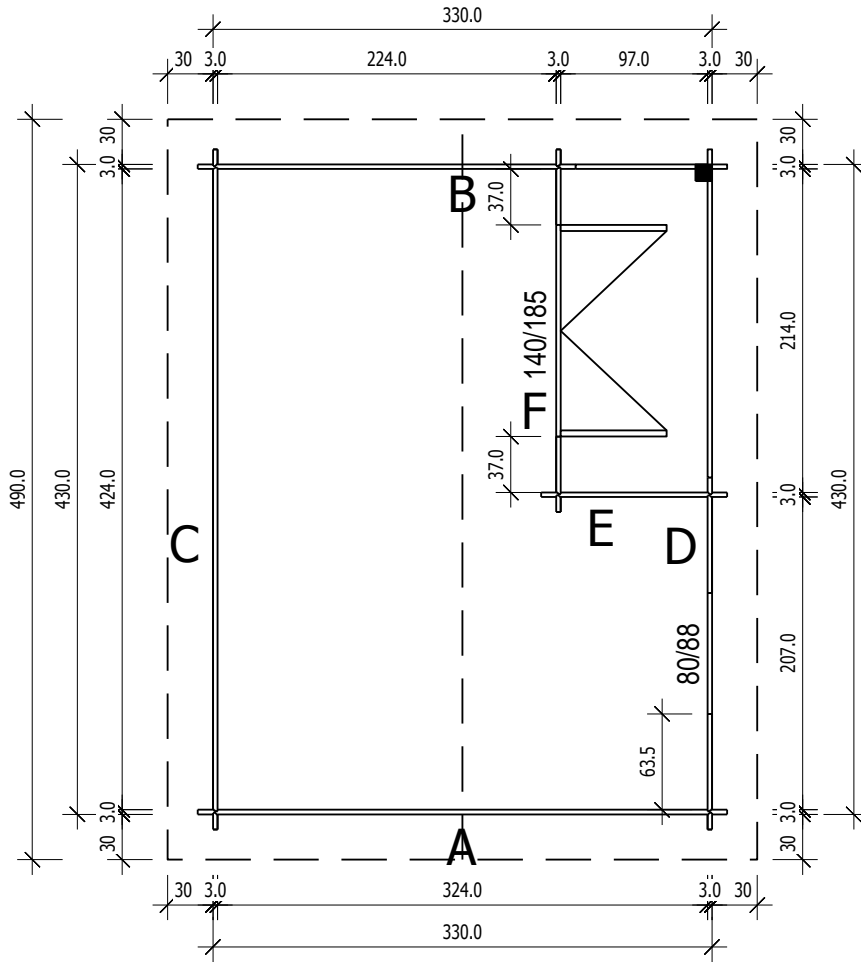




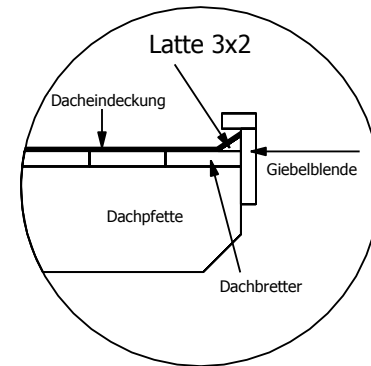
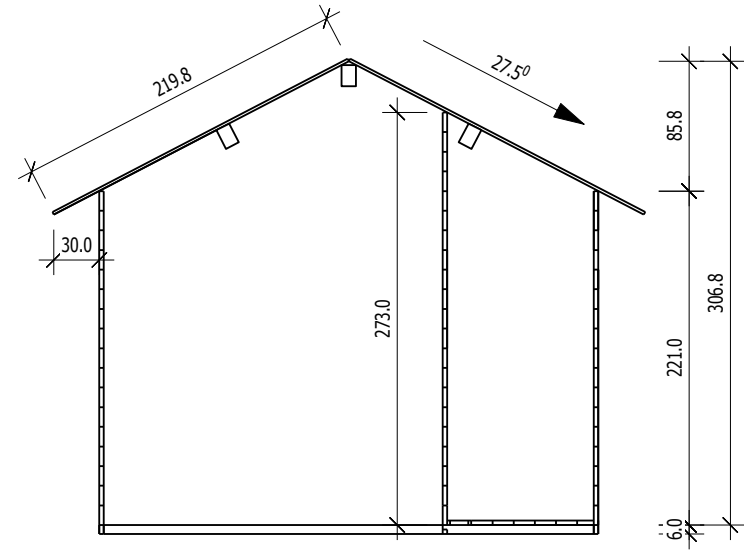
Bemerkung: die Ansicht von Turen, Fenster und anderen Teilen kann abweichen von diesem Bild



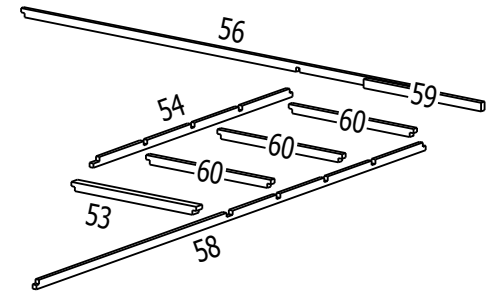
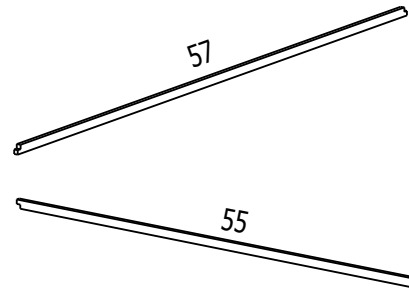
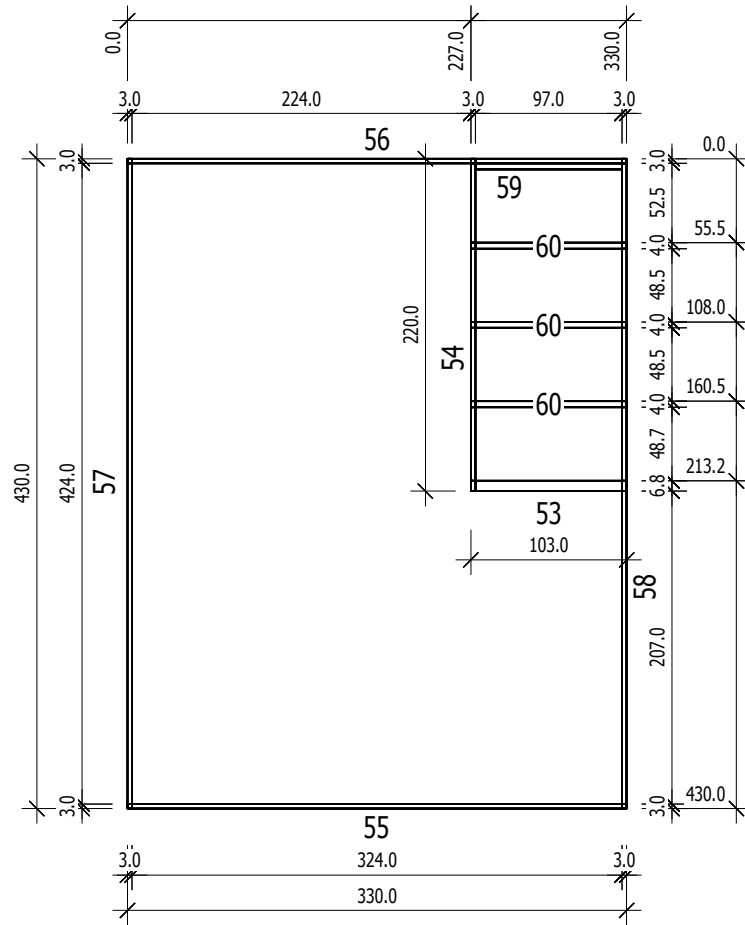
# Grundriss



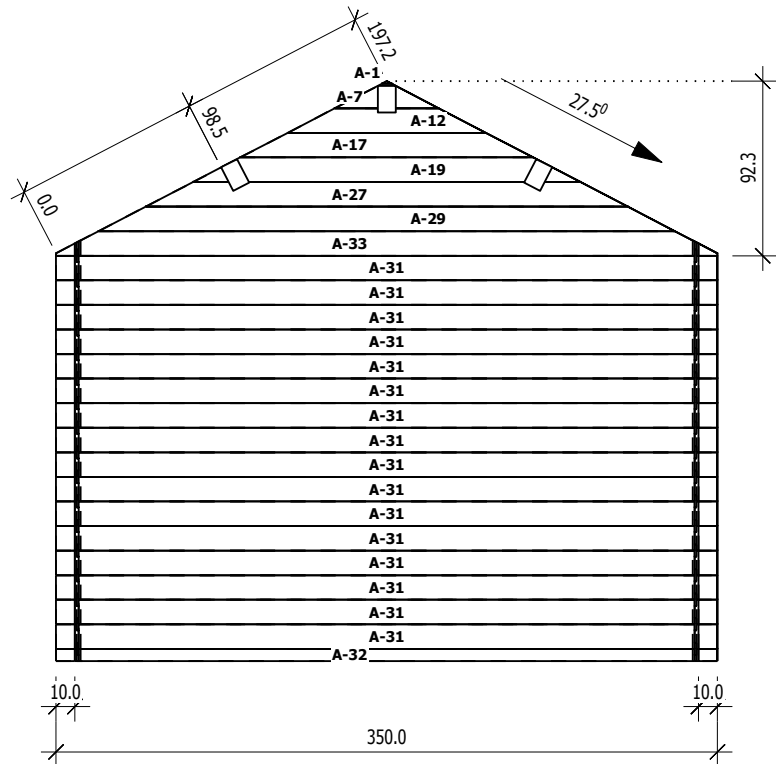
# Schnitt



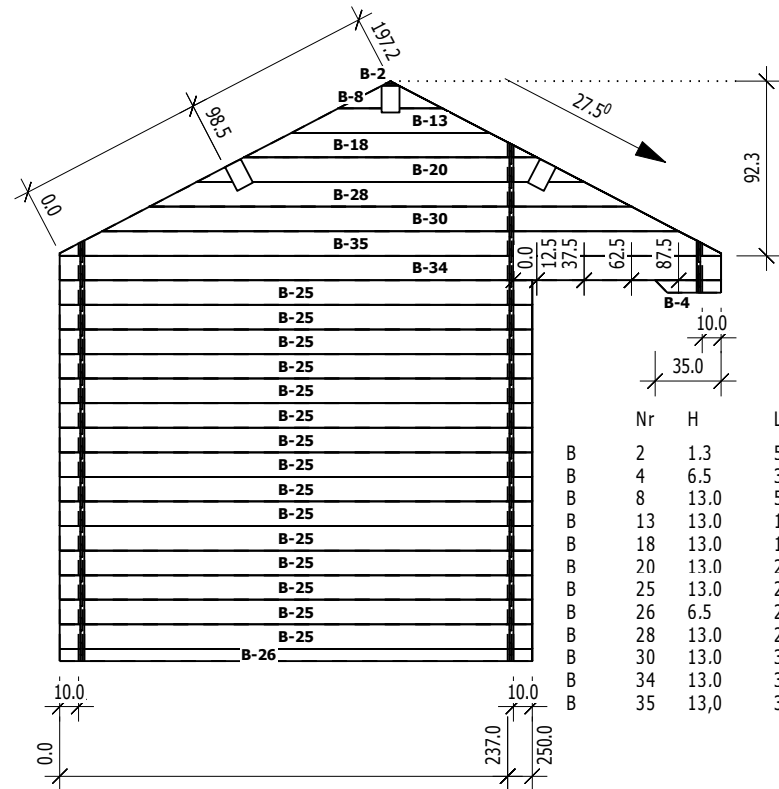
# Grundrahmenplan



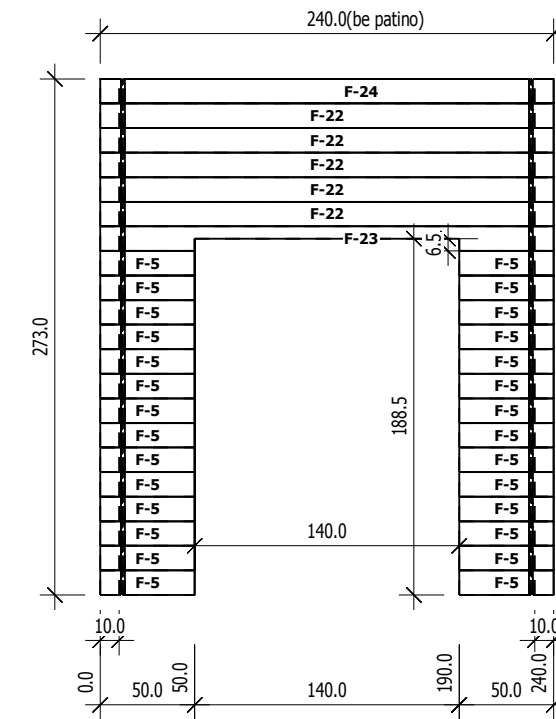
Nr.	B [cm]	H [cm]	L [cm]	Psc
53	6,8	6,0	103,0	1
54	3,0	6,0	220,0	1
55	3,0	6,0	330,0	1
56	3,0	6,0	330,0	1
57	3,0	6,0	430,0	1
58	3,0	6,0	430,0	1
59	4,0	6,0	97,0	1
60	4,0	6,0	103,0	3



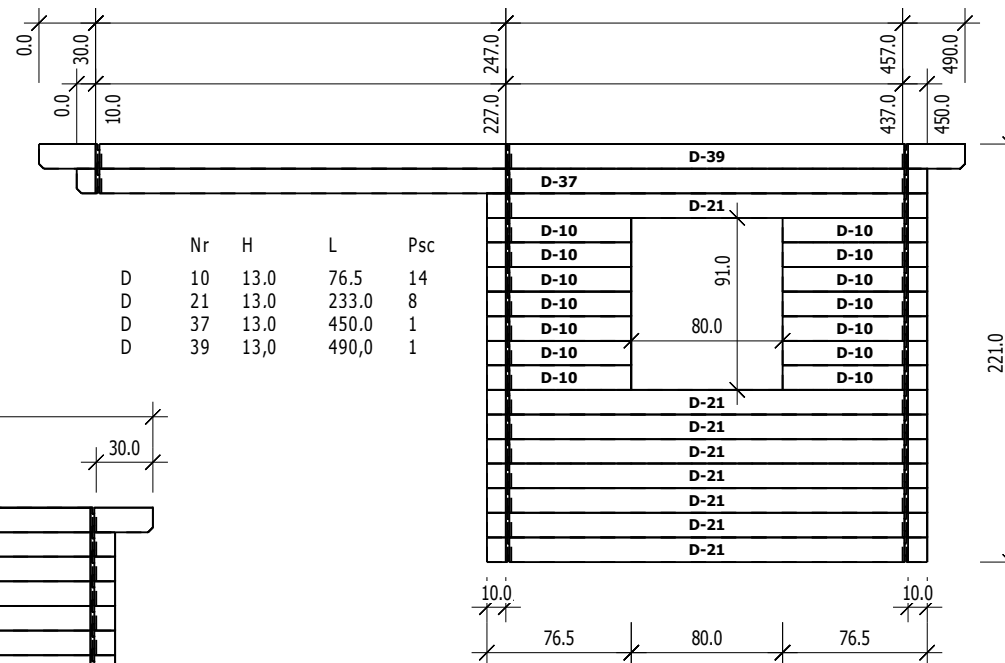
Nr	H	L	Psc
A 1	1.3	5.0	1
A 7	13.0	55.0	1
A 12	13.0	105.0	1
A 17	13.0	155.0	1
A 19	13.0	205.0	1
A 27	13.0	255.0	1
A 29	13.0	305.0	1
A 31	13.0	350.0	16
A 32	6.5	350.0	1
A 33	13.0	350.0	1



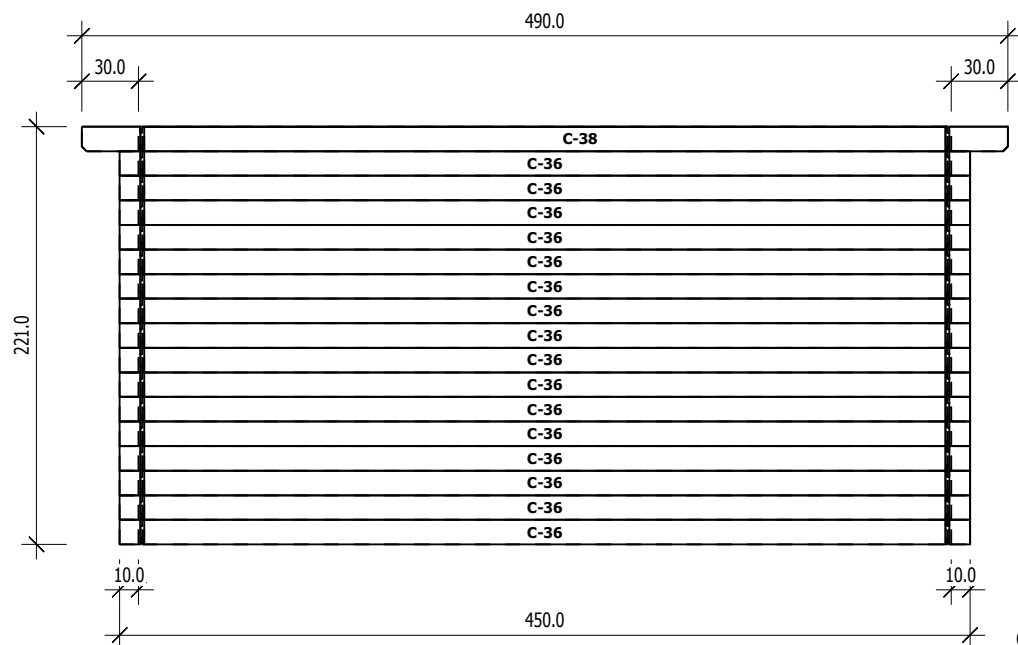
Nr	H	L	Psc
B 2	1.3	5.0	1
B 4	6.5	35.0	1
B 8	13.0	55.0	1
B 13	13.0	105.0	1
B 18	13.0	155.0	1
B 20	13.0	205.0	1
B 25	13.0	250.0	15
B 26	6.5	250.0	1
B 28	13.0	255.0	1
B 30	13.0	305.0	1
B 34	13.0	350.0	1
B 35	13.0	350.0	1



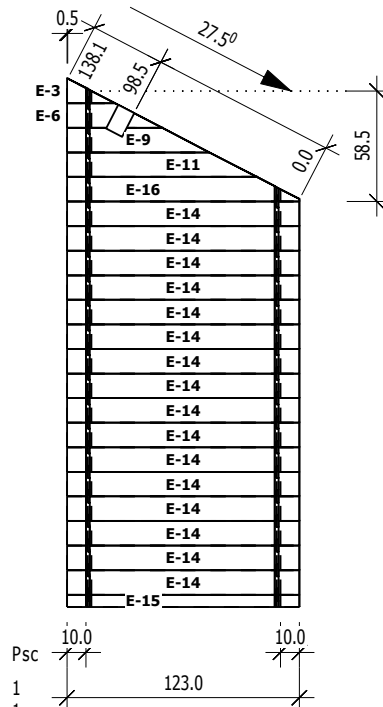
Nr	H	L	Psc
F 5	5	13.0	28
F 22	13.0	240.0	5
F 23	13.0	240.0	1
F 24	13.0	240.0	1



Nr	H	L	Psc
D 10	13.0	76.5	14
D 21	13.0	233.0	8
D 37	13.0	450.0	1
D 39	13.0	490.0	1



Nr	H	L	Psc
C 36	13.0	450.0	16
C 38	13.0	490.0	1



Nr	H	L	Psc
E 3	13.0	25.5	1
E 6	13.0	50.5	1
E 9	13.0	75.5	1
E 11	13.0	100.5	1
E 14	13.0	123.0	16
E 15	6.5	123.0	1
E 16	13.0	123.0	1