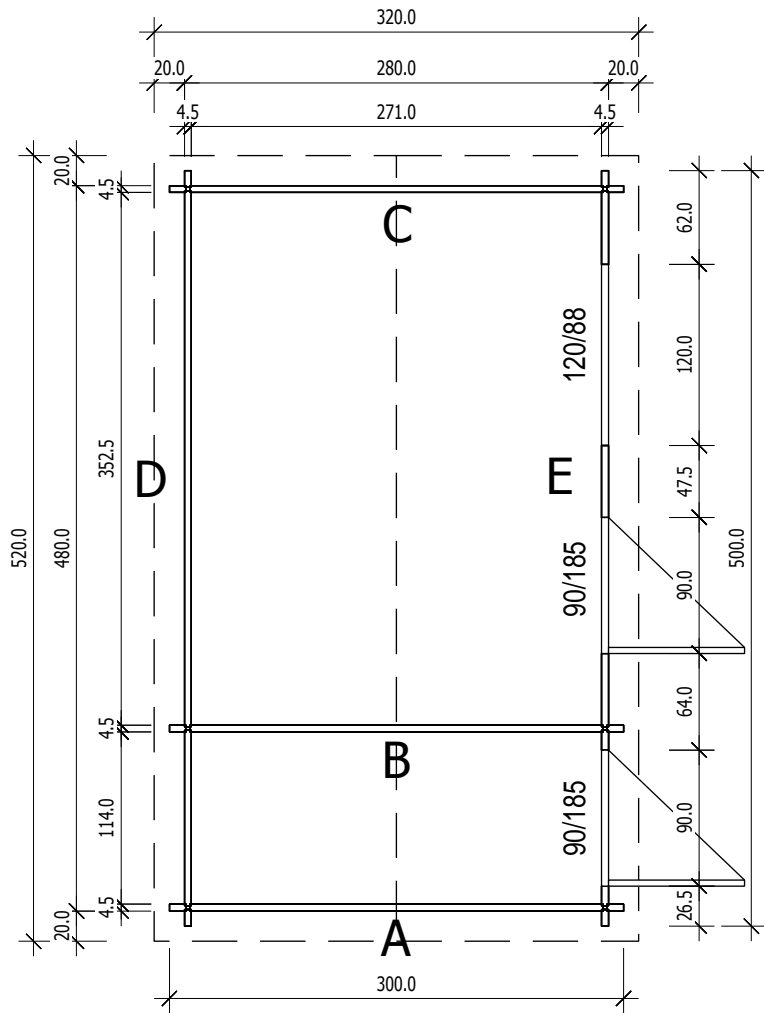


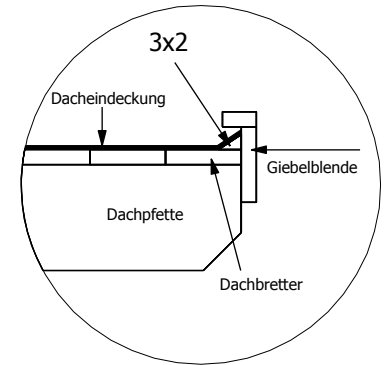
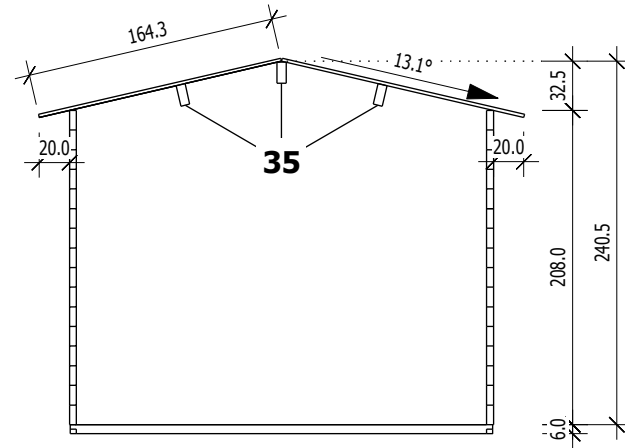
Bemerkung: die Ansicht von Türen, Fenster und anderen Teilen kann abweichen von diesem Bild

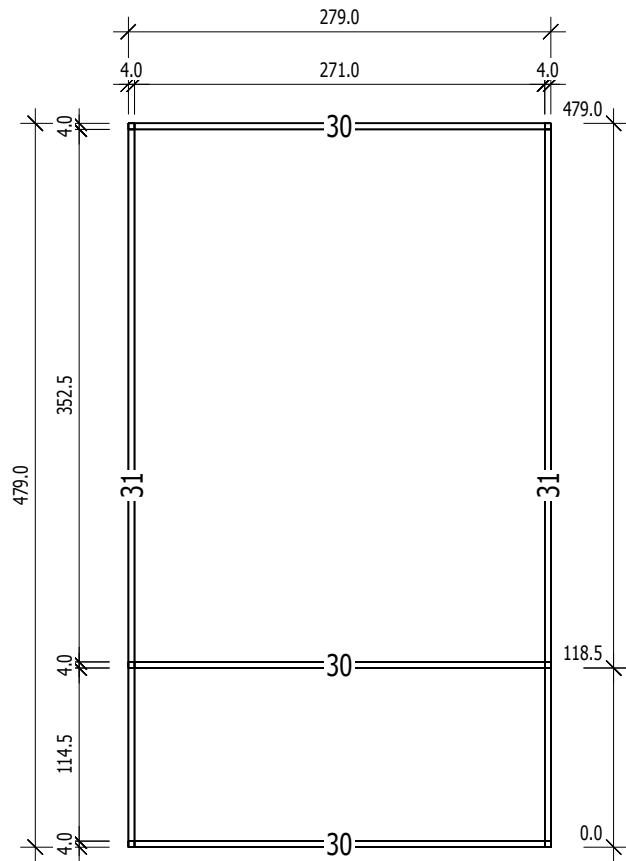


Grundriss



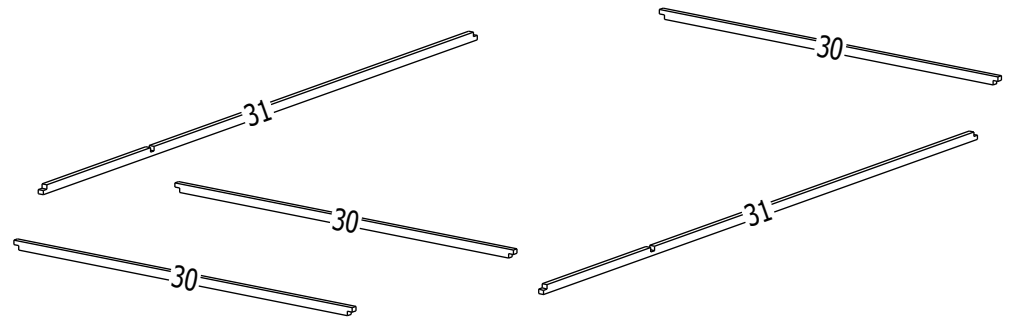
Schnitt



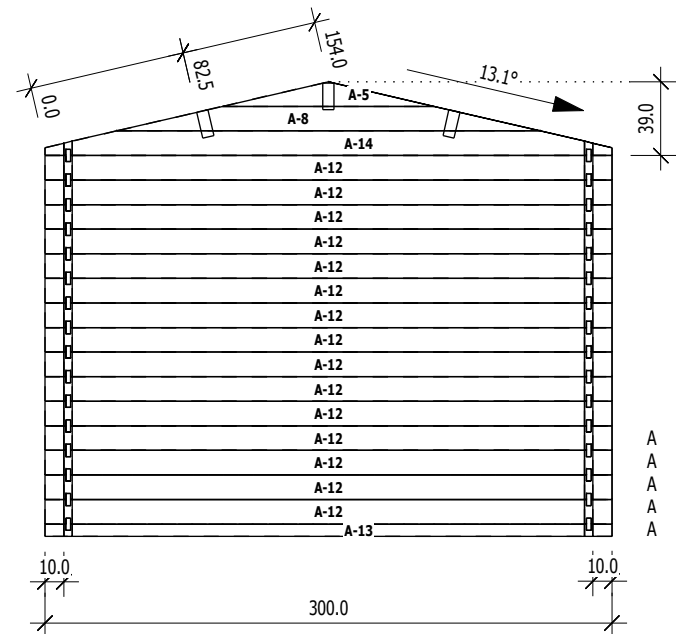


Grundrahmenplan

| Nr. | B | H | L | Psc |
|-----|------|------|-------|-----|
| | [cm] | [cm] | [cm] | |
| 30 | 4.0 | 6.0 | 279.0 | 3 |
| 31 | 4.0 | 6.0 | 479.0 | 2 |



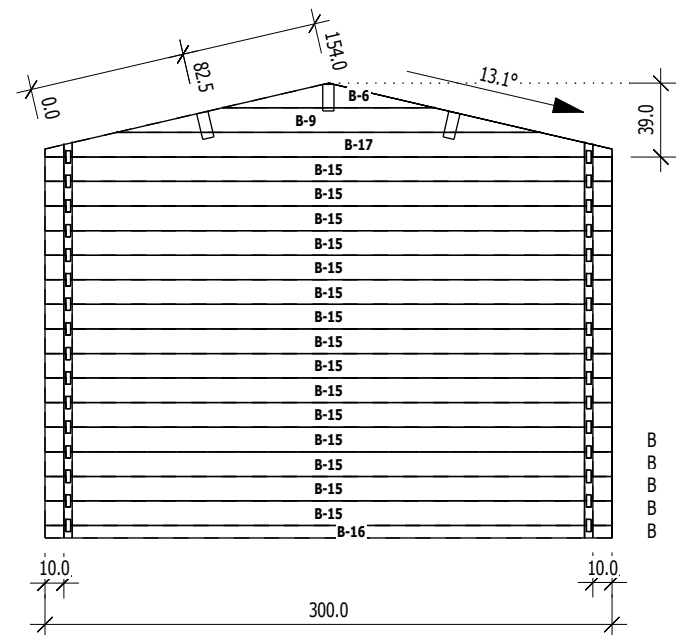
A
M 1:40



6,0x14,0

| | Nr | H | L | Psc |
|---|----|------|-------|-----|
| A | 5 | 13.0 | 112.0 | 1 |
| A | 8 | 13.0 | 224.0 | 1 |
| A | 12 | 13.0 | 300.0 | 15 |
| A | 13 | 6.5 | 300.0 | 1 |
| A | 14 | 13.0 | 300.0 | 1 |

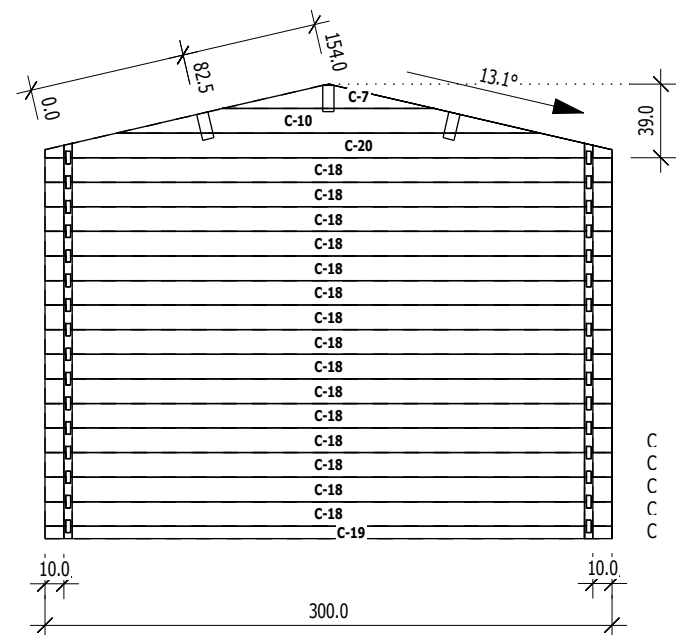
B
M 1:40



6,0x14,0

| | Nr | H | L | Psc |
|---|----|------|-------|-----|
| B | 6 | 13.0 | 112.0 | 1 |
| B | 9 | 13.0 | 224.0 | 1 |
| B | 15 | 13.0 | 300.0 | 15 |
| B | 16 | 6.5 | 300.0 | 1 |
| B | 17 | 13.0 | 300.0 | 1 |

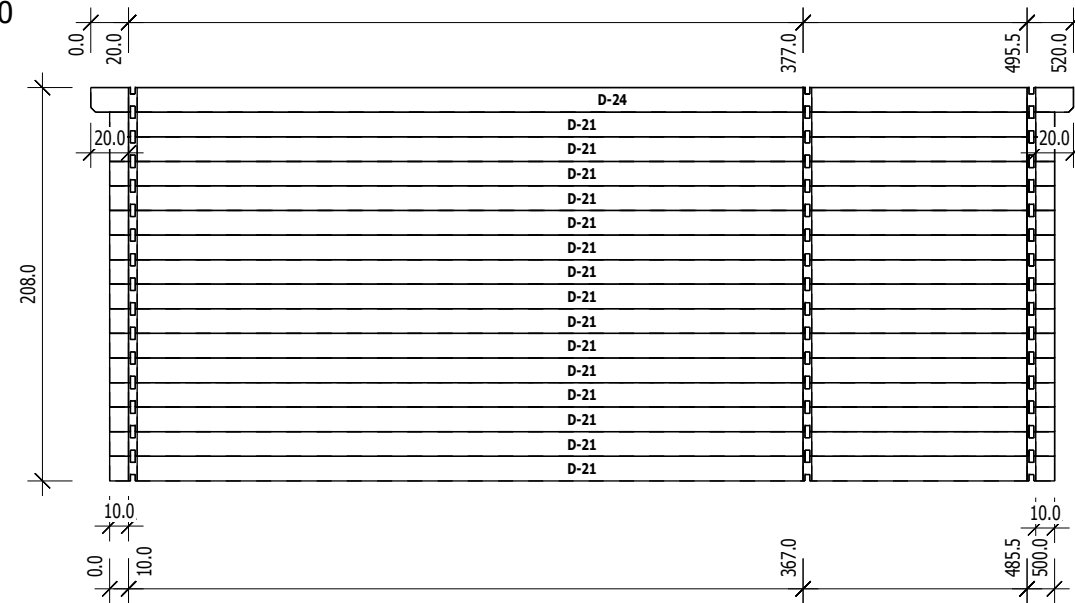
C
M 1:40



6,0x14,0

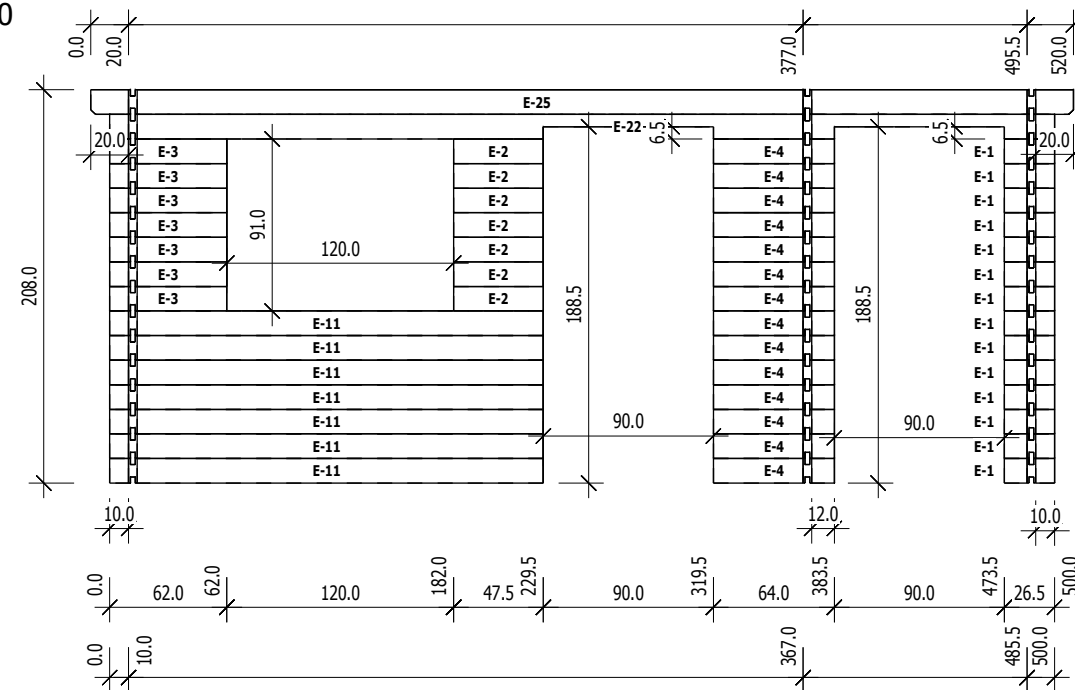
| | Nr | H | L | Psc |
|---|----|------|-------|-----|
| C | 7 | 13.0 | 112.0 | 1 |
| C | 10 | 13.0 | 224.0 | 1 |
| C | 18 | 13.0 | 300.0 | 15 |
| C | 19 | 6.5 | 300.0 | 1 |
| C | 20 | 13.0 | 300.0 | 1 |

D
M 1:40



| | Nr | H | L | Psc |
|---|----|------|-------|-----|
| D | 21 | 13.0 | 500.0 | 15 |
| D | 24 | 13.0 | 520.0 | 1 |

E
M 1:40



| | Nr | H | L | Psc |
|---|----|------|-------|-----|
| E | 1 | 13.0 | 26.5 | 14 |
| E | 2 | 13.0 | 47.5 | 7 |
| E | 3 | 13.0 | 62.0 | 7 |
| E | 4 | 13.0 | 64.0 | 14 |
| E | 11 | 13.0 | 229.5 | 7 |
| E | 22 | 13.0 | 500.0 | 1 |
| E | 25 | 13.0 | 520.0 | 1 |