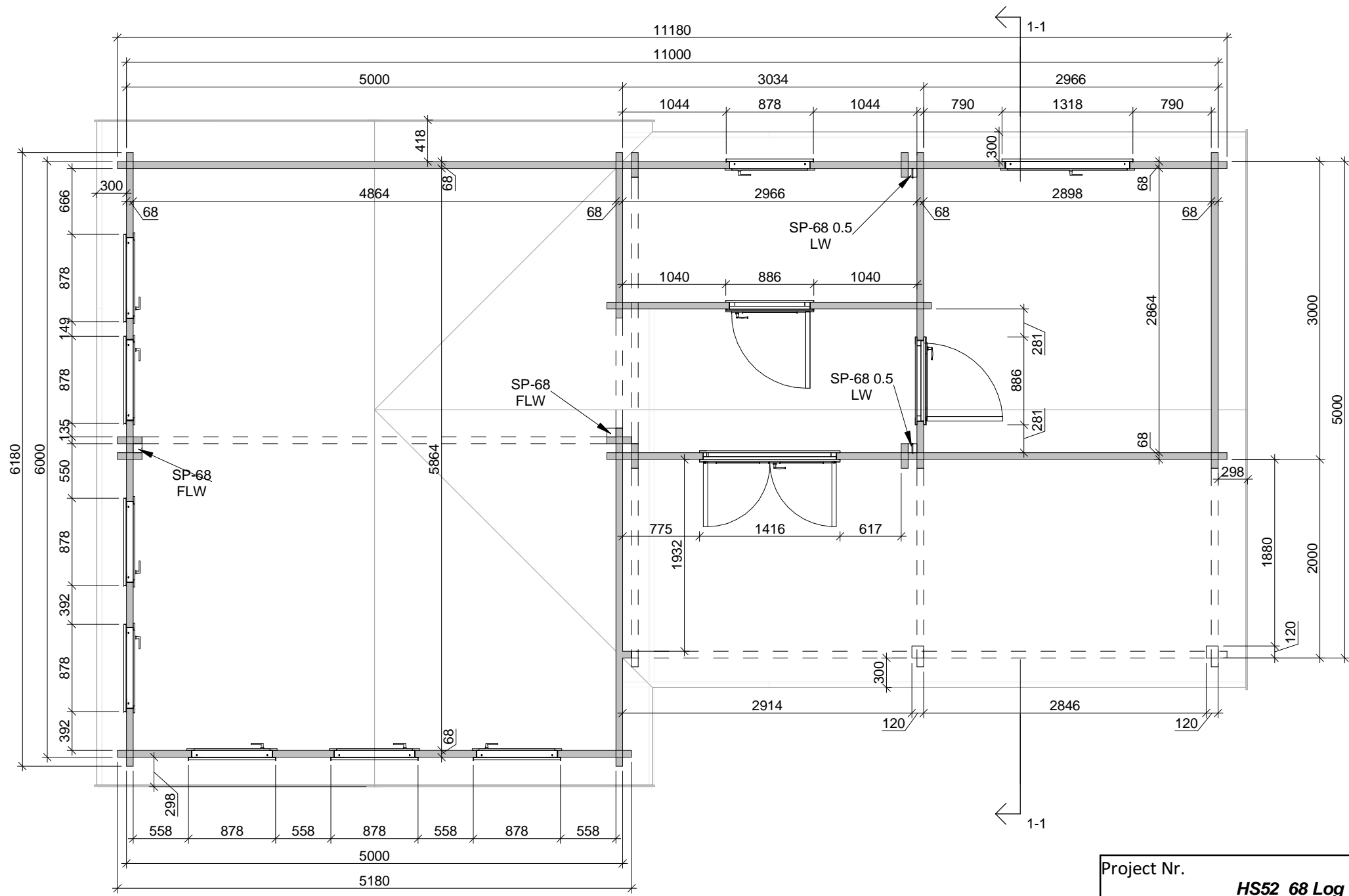
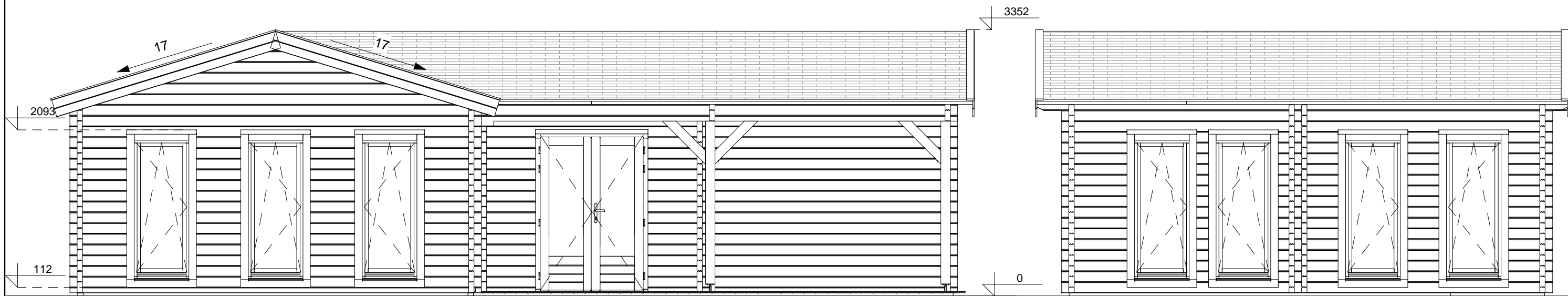


**FRONT VIEW**

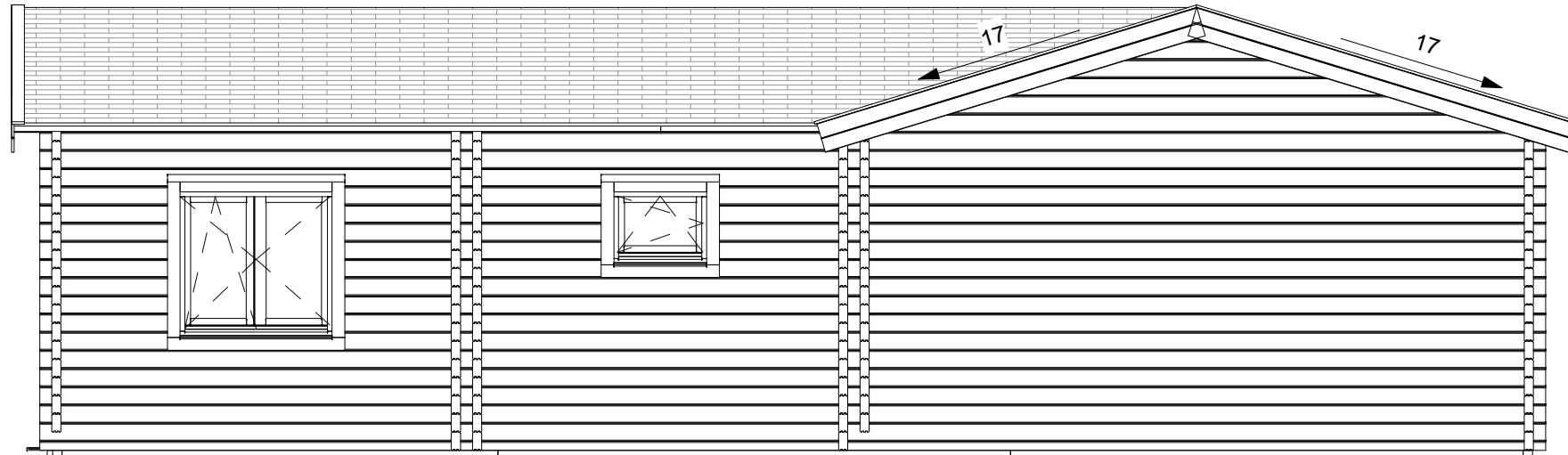
**LEFT SIDE VIEW**



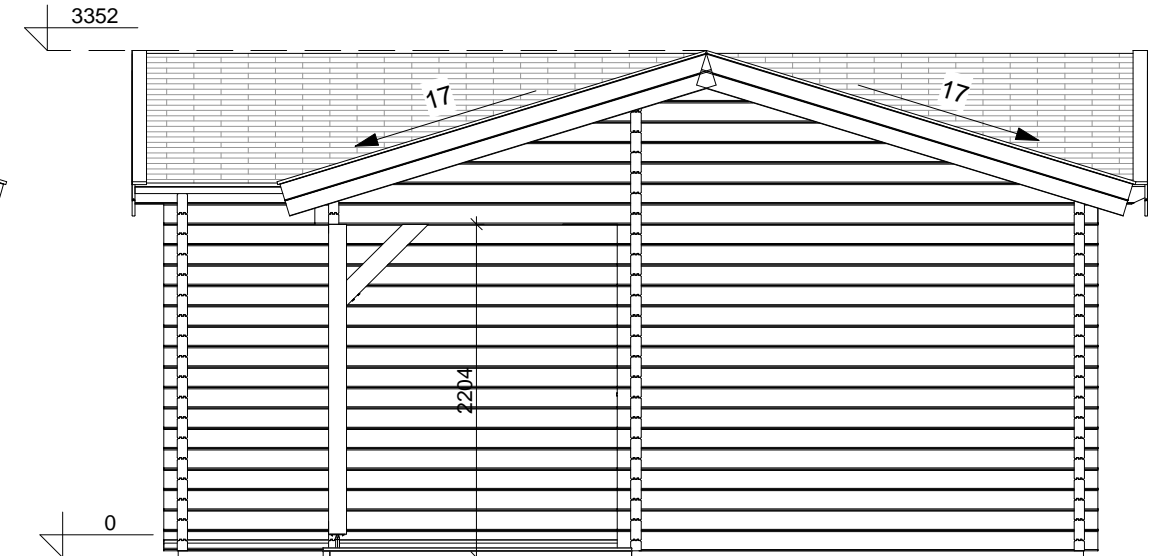
**FLOOR PLAN**

Project Nr. <b>HS52_68 Log cabin 618x118cm 68mm</b>				
ARCHITECTURE DRAWINGS	Scale	Drawer	Sheet Nr.	Date
	1 : 50	DB	AR - 1	07.07.2022 13:24:52

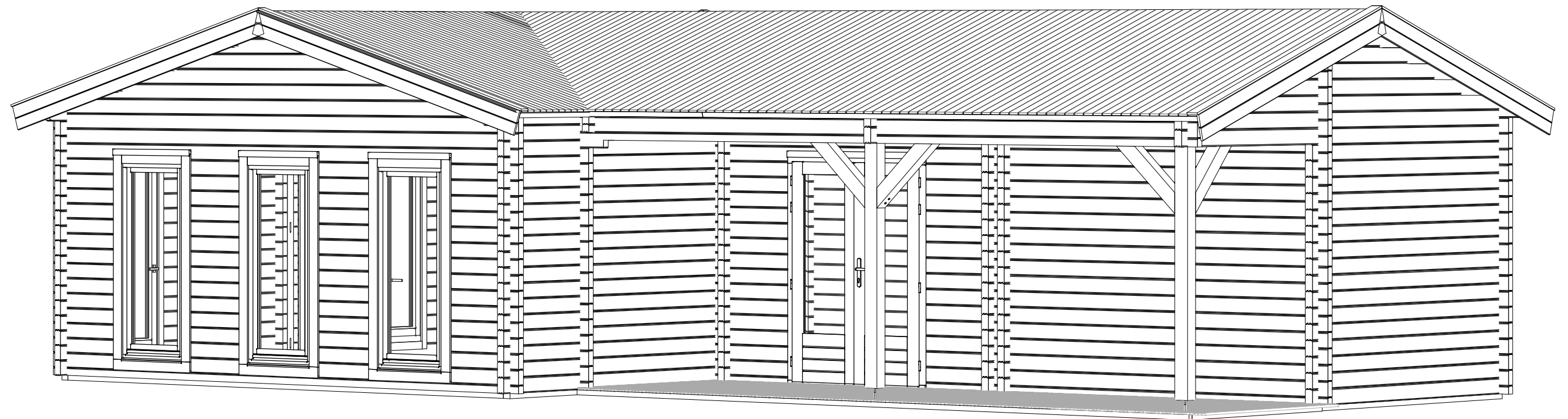
**REAR VIEW**



**RIGHT SIDE VIEW**

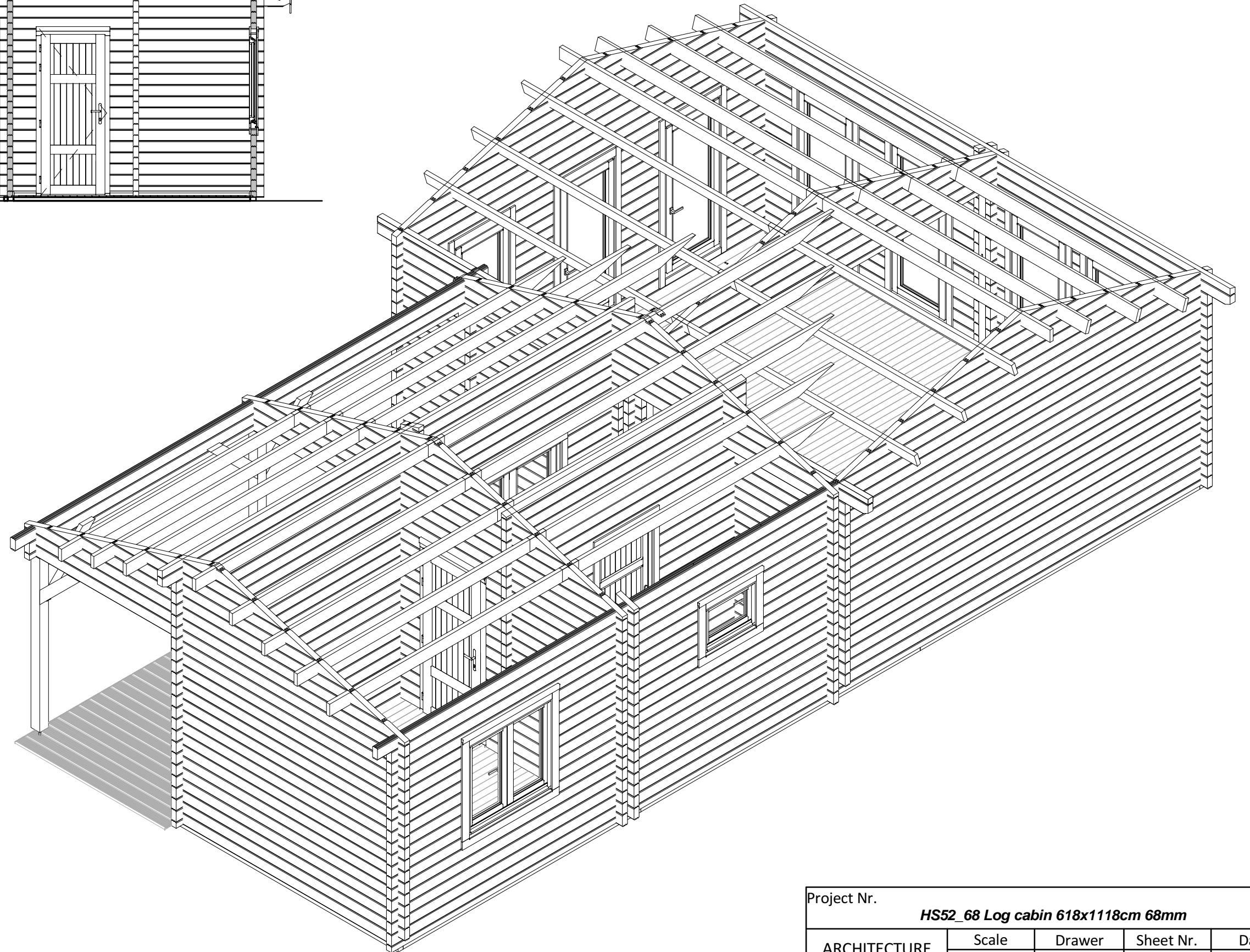
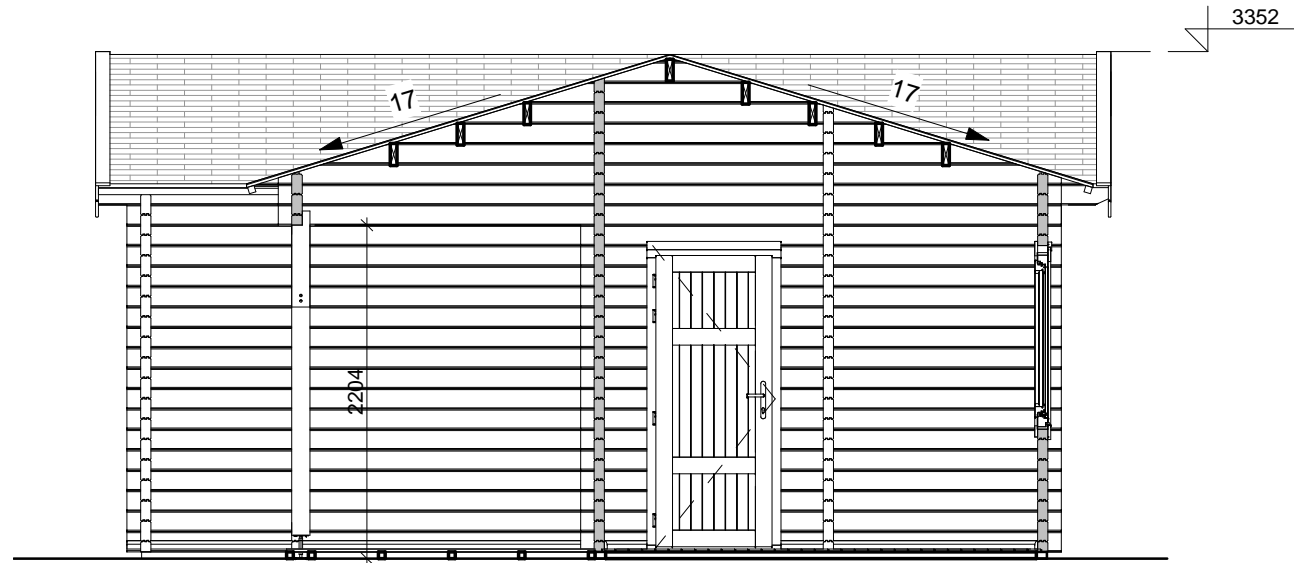


**3D VIEW**



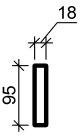
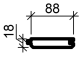
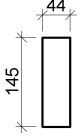
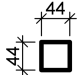
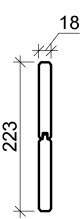
Project Nr. <b>HS52_68 Log cabin 618x1118cm 68mm</b>				
ARCHITECTURE DRAWINGS	Scale	Drawer	Sheet Nr.	Date
	1 : 50	DB	AR - 2	07.07.2022 13:24:57

SECTION 1-1

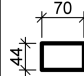
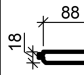
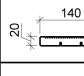
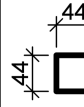
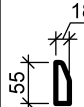


Project Nr. <b>HS52_68 Log cabin 618x1118cm 68mm</b>				
ARCHITECTURE DRAWINGS	Scale	Drawer	Sheet Nr.	Date
	1 : 50	DB	AR - 3	07.07.2022 13:25:00

### ROOF PART SPECIFICATION

Type Image	Keynote	Description
	CB 18x95	Cover board
	RB 18x88	Roof board 18mm
	RJ 44x145	Roof joist 44x145
	RS 44x44	Roof side board 44x44
	WB 18mm	Wind board 18mm

### FLOOR PART SPECIFICATION

Type Image	Keynote	Description
	BB 44x70	Base beam 44x70
	FB	Floor board 18mm
	FB 20x140	Larch terrace board
	FJ 44x44	Floor joist
	FS	Floor skirting

### DOOR SCHEDULE

Keynote	Count
SD-2 L	1
SD-2 R	1
SDD-6 Right	1
	3

### WINDOW SCHEDULE

Keynote	Count
GDW-1	1
GW-3 R	1
GW-4 L	3
GW-4 R	4
	9

### ROOF SCHEDULE

Roof type	Area
Apex	74 m <sup>2</sup>
	74 m <sup>2</sup>

### FLOOR SCHEDULE

Description	Area
Ground floor 18mm	46 m <sup>2</sup>
Terrace floor	12 m <sup>2</sup>

Project Nr.

**HS52\_68 Log cabin 618x1118cm 68mm**

ARCHITECTURE  
DRAWINGS

Scale

Drawer

Sheet Nr.

Date

DB

AR - 4

07.07.2022  
13:25:14