



HIVE WOOD

13kW 17kW 17kW-LS

ENG

SAUNA STOVE

CE IPX4 

info@huum.eu

www.huum.eu

HIVE WOOD

SAUNA STOVE

Installation and user instructions

Important! *These instructions provide simultaneously the installation instructions for models 13kW, 17kW and 17kW-LS. Follow the instructions for your model carefully.*

Important! *The sauna stove described in these instructions should only be connected to the chimney by a specialist.*

The Hive Wood sauna stove delivery package includes:

- a sauna stove
- installation and user instructions for the sauna stove

Important! *The sauna stove requires sauna stones.*

Technical specifications of the sauna stove	HIVE WOOD 13	HIVE WOOD 17
Steam room size range (m³)	6-13	8-16
Nominal heating power (kW)	13	17
Steel frame diameter (mm)	450	555
Depth (mm) + extension of the combustion chamber LS (mm)	350	620+155 LS
Height (mm)	750	750
Empty weight (kg)	45	70
Weight of stones (kg)	90	140
Thickness of furnace walls (mm)	5	5
Maximum length of firewood (cm)	30	40
Diameter of firewood (cm)	8-15	8-15
Diameter of smoke outlet (mm)	115	115
Required temperature class of chimney	T600	T600
Minimum cross section of chimney (mm²)	10200	10200
Minimum cross section of vents (mm²)	7850	7850
Heating power in steam room (kW)	13	17,4
Fuel	Wood	Wood
Safety distances from combustible materials	Table 1	Table 1
Fire safety (ignition of nearby objects)	Passed	Passed
Exhaust gases of the combustion process	Passed	Passed
Surface temperature	Passed	Passed
Emission of hazardous compounds	NPD	NPD
Cleanability	Passed	Passed
Flue gas temperature	430°C	443°C
Mechanical resistance	Passed	Passed
Carbon dioxide emissions at 13% of O2 content (%)	Passed (0,67)	Passed (0,67)
Total efficiency (%)	67	66
Minimum required chimney draught	12	12 Pa
Wood weight (kg) / in three parts up to (kg)	8,6 / 4	11,2 / 5,6
Ash tray opening during ignition (mm) / after ignition (mm)	10 / 2-3	10 / 2-3

* NPD – No permanent data

Application area	Multi-firing sauna stoves heated by natural wood logs
Meets requirement	EN 15821:2010
HUUM OÜ Turu tn 45D, Tartu, 50106, Estonia	



Congratulations, you've made an excellent choice!

The HUUM sauna stove is the best of its kind and will serve you for a very long time with the correct use and maintenance.

- Read the instructions carefully before installation and use.
- Keep these instructions for future reference.

Important! Read the instructions carefully before using the sauna heater!

GENERAL

The WOOD HIVE sauna stove is intended for dry or wet sauna steam.

Our product range includes various modifications for the Hive Wood sauna stoves. Consumers can choose between stoves with different nominal power. The stove can be equipped with a hot water production accessory and a wall furnace aperture, which is marked with letters **LS** in these instructions.

INSTALLATION

- Installation of the sauna stove must conform to all local normative documents, including the applicable national and European Union standards relating to the installation, including EN 15821:2010.
- Safety distances **A**, **B** and 1200 mm above the stove are given for combustible materials.
- If the stove is installed in a niche composed of non-combustible material (stone, concrete), at least 100 mm should be left between the wall and the stove for air movement.
- The safety distance for combustible materials can be reduced to 1/2 in the case of a single and 1/4 in the case of a double heat barrier. The heat barrier is considered within the safety distance, and the difference between the outer surface and the protected area must be at least 30mm.
- The sauna stove must be installed on a non-combustible surface with the required carrying capacity.
- Electrical equipment and wiring are not permitted in the safety area of the sauna stove.

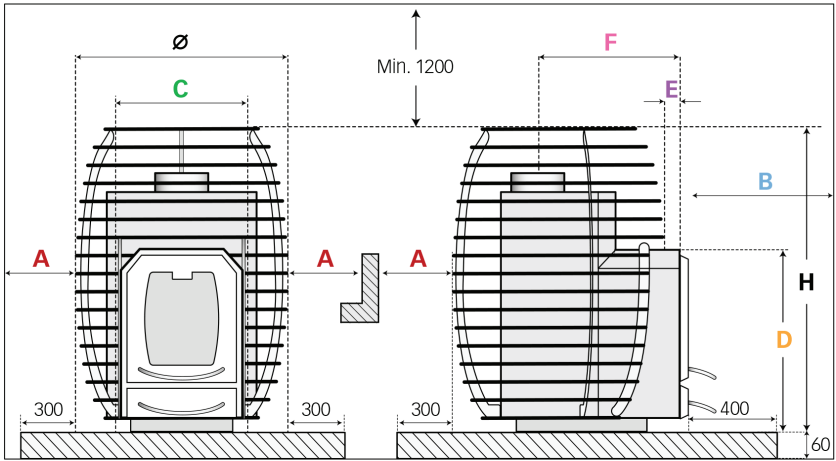


Table 1	Power kW	Room m ³	A mm	B mm	C mm	D mm	E mm	F mm	Ø mm	H mm
HIVE Wood 13	13	6-13	250	900	240	425	5	300	450	750
HIVE Wood 17	17	8-16	500	1000	300	460	35/185 ^{LS}	400/400 ^{LS}	555	750

Installing Hive Wood 17 LS to be heated from another room

- The furnace bushing of the sauna stove must be made through a non-combustible wall (stone, concrete, etc.).
- In addition, insulation with mineral wool or similar is recommended.
- At least 100 mm must be left between the bushing and the stove to facilitate the movement of air, so 200 mm must be added to height **D** and width **C** in Table 1 when calculating the dimensions of the opening.
- If the floor in front of the furnace is made from combustible material, fire-resistant floor protection must be installed in front of the furnace door. The protection must be 600 mm wider than door width **C**, with a depth of at least 400 mm.

Connecting the sauna stove with the chimney

- The flue gas outlet of HUUM sauna stoves is at the top of the sauna stove. The sauna stove is connected to the chimney using special metal flue pipes, which are optionally sealed with heat-resistant sealing rope.
- The elbows of the connection tubes must be smooth to keep draught loss to a minimum.
- The tube is inserted through the wall of the chimney and sealed with mineral wool.
- The sauna stove can only be connected to the chimney by specialists.
- The flue gases of the stove must be directed into a separate flue. Use of a common flue with other furnaces is not permitted.

Important! Forced extract ventilation may cause problems with the ventilation of the room and inadequate furnace combustion, therefore, designing and building such a ventilation system is permitted only with the supervision of a licensed specialist.

APPLICATION INSTRUCTION

Preparation for use

- Any natural granite stones or special sauna stove stones sold at hardware stores are suitable for the sauna stove. Use of ceramic stones may shorten the life of the stove.
- Sauna stove stone quantities:
 - Hive Wood 13: 6 x 15kg;
 - Hive Wood 17: 5 x 20kg + 2 x 15kg.

Important! The sauna stove can only be heated with wood logs.

Heating the sauna

- Avoid overheating the sauna stove; overheating is indicated when the furnace case glows red. Overheating causes the metal to deform, and the manufacturer is not responsible for this defect.
- In the case of overheating, the ash tray must be completely closed to stop the furnace combustion process. Keep the furnace door closed. If possible, cut off air flow to the room.
- It is recommended each time you heat the sauna stove that some quantity of the fuel consists of small and easily flammable pieces of material which are more porous and lighter compared to the rest of the fuel quantity.
- The sauna stove can only be heated with wood logs. For Hive Wood 13 logs with a length of 30 cm are the best and for Hive Wood 17 logs with a length of 40 cm.
- The amount of air combustion is adjusted by changing the position of the ash tray drawer. During ignition, it is advisable to keep the ash tray open by up to 10 mm. As the material ignites, close the ash tray to the point where the distance between the front of the tray and the wall is 2-3 mm, depending on the draught.
- Keep the furnace door closed during heating. Open the door only to add firewood.
- Avoid splashing water onto the hot glass of sauna stoves with a glass door. Tempered door glass is not under warranty.
- The heating time of the steam room is dependent on the thermal resistance of the wall materials, room size and power of the sauna stove.
- The outer surfaces of the sauna stove are hot during heating. Contact with exposed body parts can cause burns.
- Do not splash salt water onto the sauna stove.
- It is not advisable to throw hard water or water with a high iron content onto the sauna stove.

Maintenance

- For safe operation of the furnace, it is advisable to keep cleaning accessories (shovel, broom, rake) in the lower temperature (below 40°C) part of the steam room.
- Empty the sauna stove's ash tray before each heating since this is used to adjust the draught.
- If the sauna has not been used for a long time, have a specialist check the furnace, grate and ash tray condition before heating the sauna stove. If necessary, arrange for the condition of the chimney and the flue to be checked as well. Also, if necessary, allow the specialist to undertake further cleaning.
- Large temperature fluctuations may, over time, cause the sauna stove stones to crumble and lose their required properties. It is therefore advisable to replace crumbled sauna stones with new ones once a year.
- Clean the heating surfaces of the sauna stove regularly, at least once every 20 uses.
- At least once a year, it is necessary to clean the chimney and flues.
- Cleaning of the sauna stove must comply with all local normative documents which provide fire safety regulations for the cleaning of furnaces (RTL 1998, 195/196, 771 and RTL 2000, 99, 1555)

GUARANTEE

The manufacturer gives its stoves a 24-month warranty starting from the date on the purchase receipt.

The warranty applies to malfunctions caused by manufacturing faults. This warranty does not cover the combined effect of high temperature and water on the sauna stove:

- deformation of metal;
- surface coating;
- door glass.

All demands shall be presented directly to HUUM OÜ
address: Turu põik 4, Tartu 50106, ESTONIA
or using e-mail: info@huum.eu