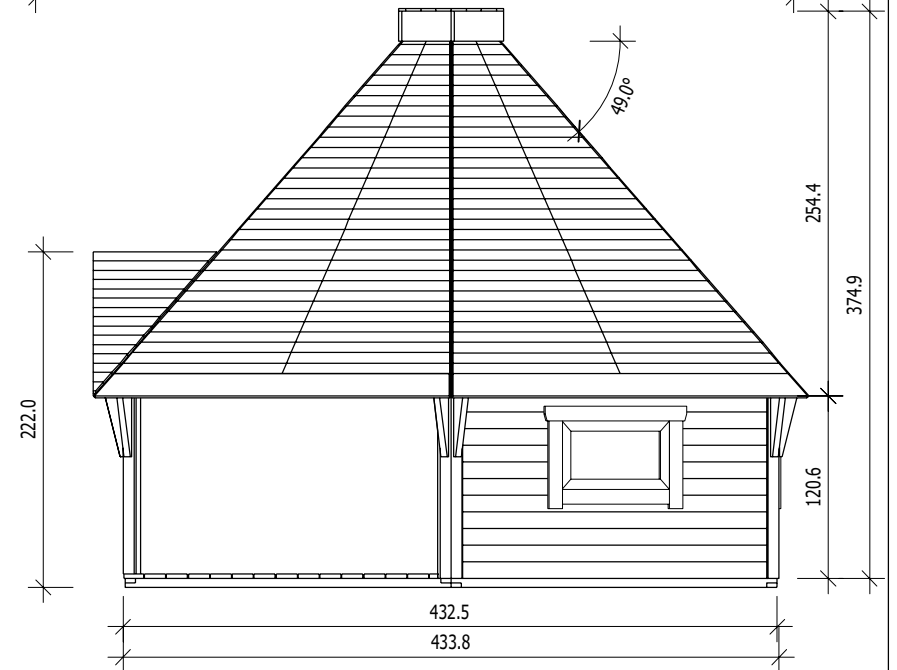
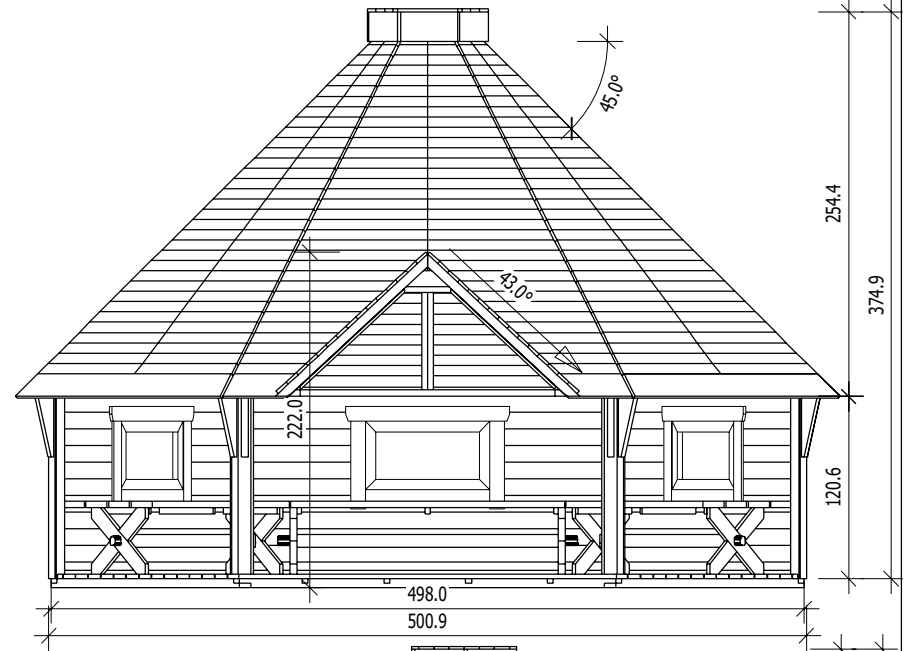
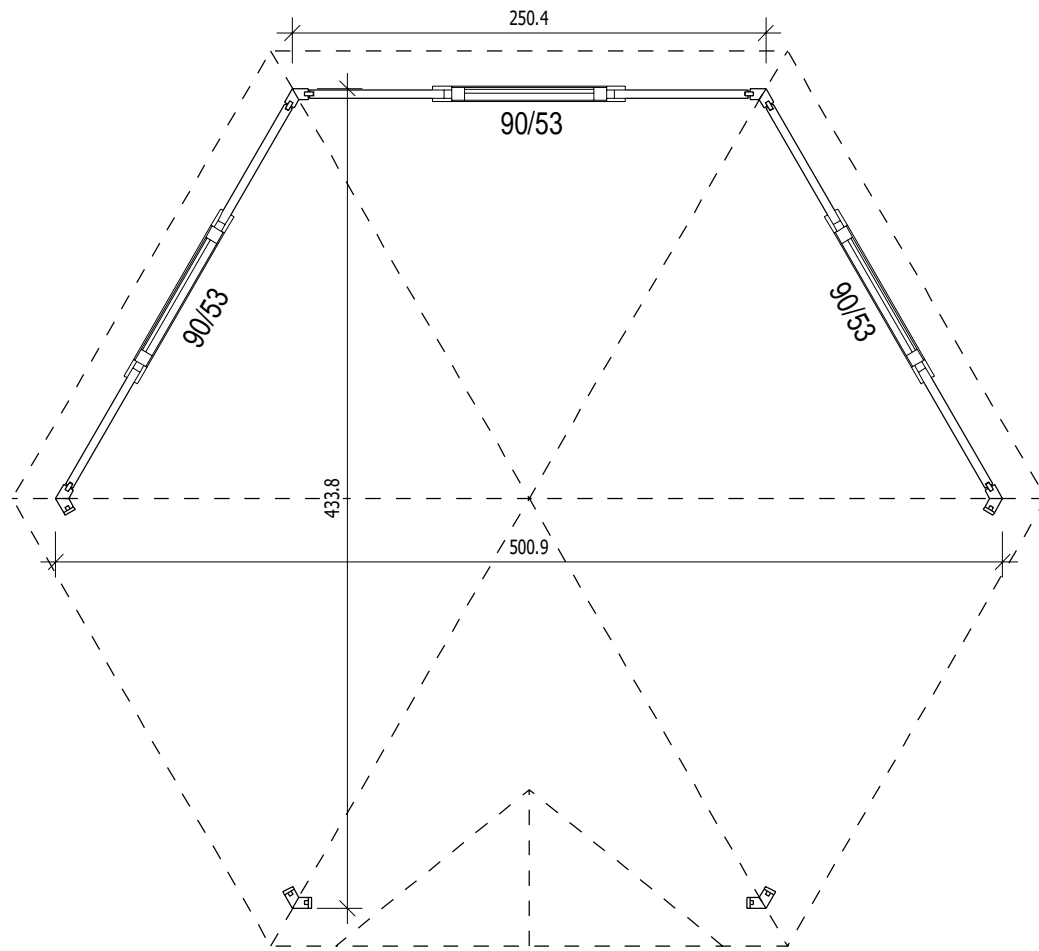




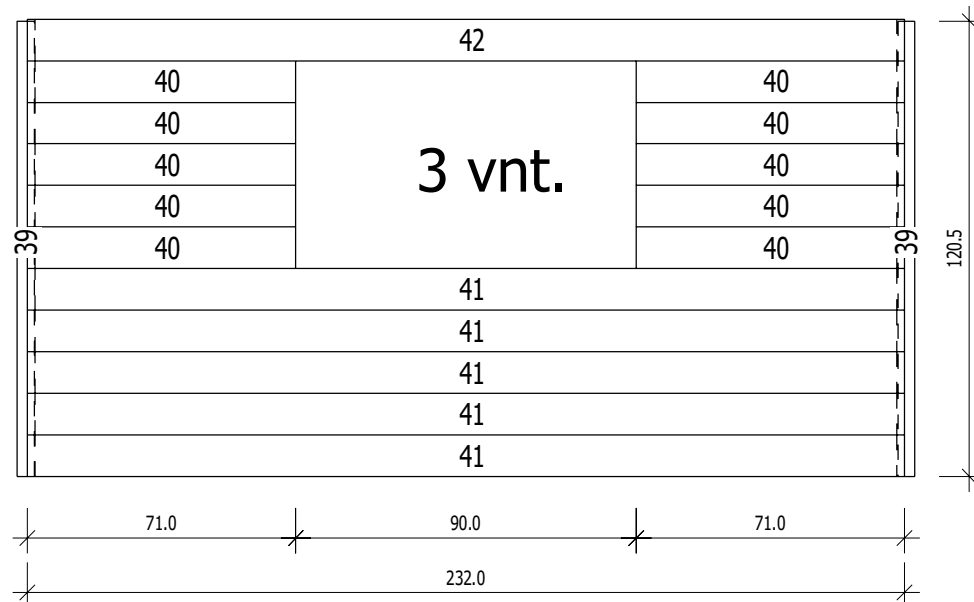
Notice: view of doors, windows and other details could be different in reality instead of view on this brochure

Projektas Užsakymo Nr.	Brezinys X	Mastelis 1 :
R-190468		Data 2019-06-03
		Projektavo T. Kubiliunas

Planas



Projektas Uzsakymo Nr.	Brezinys X	Mastelis 1 :
R-190468		Data 2019-06-03
		Projektavo T. Kubiliunas



Projektas
Uzasakymo Nr.

Brezinys
X

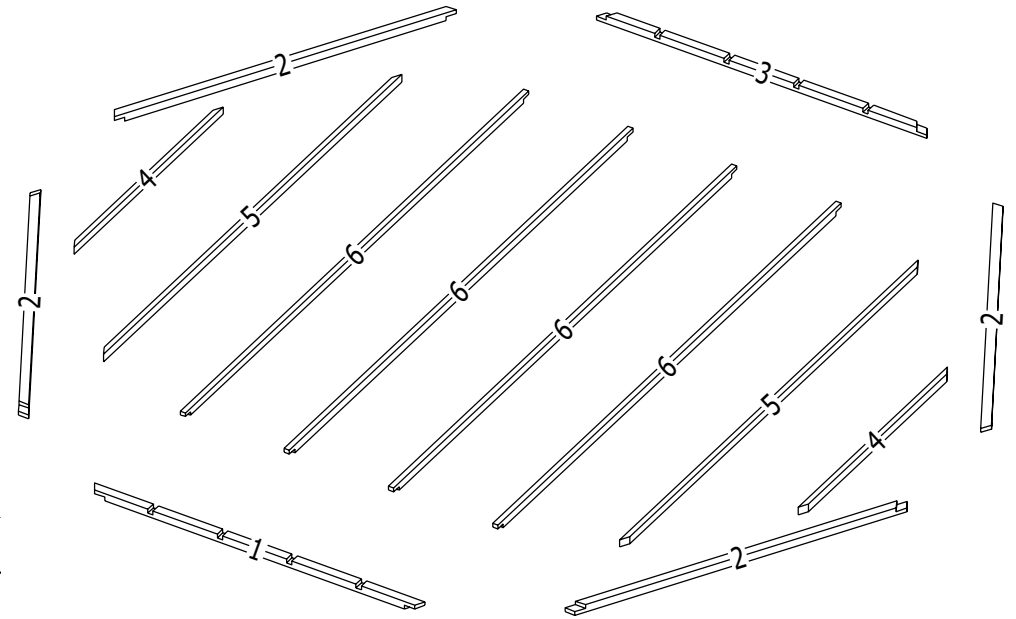
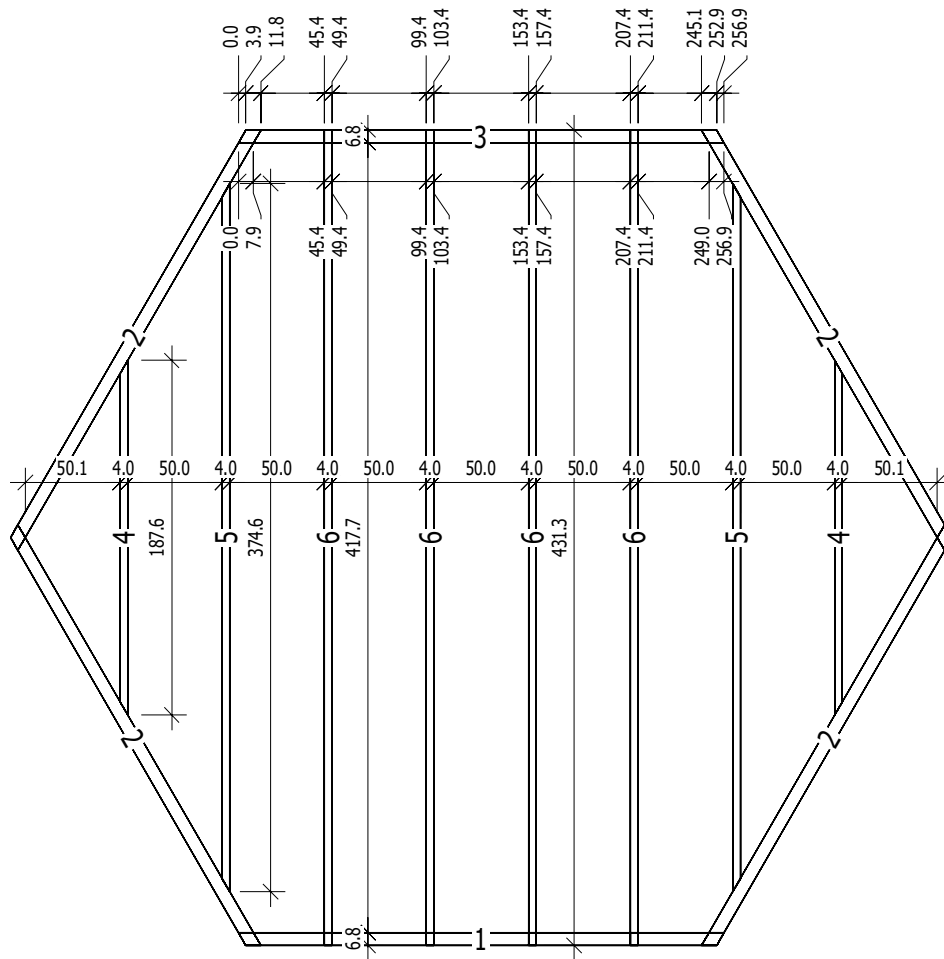
Mastelis
1 :

R-190468

Data
2019-06-03

Projektavo
T. Kubiliunas

Pagrindo planas



Nr.	B cm	H cm	L cm	Pcs
1	6,8	6,0	256,9	1
2	6,8	6,0	256,9	4
3	6,8	6,0	256,9	1
4	4,0	6,0	187,6	2
5	4,0	6,0	374,6	2
6	4,0	6,0	431,3	4

Projektas
Užsakymo Nr.

R-190468

Brežinys
X

Mastelis
1 :

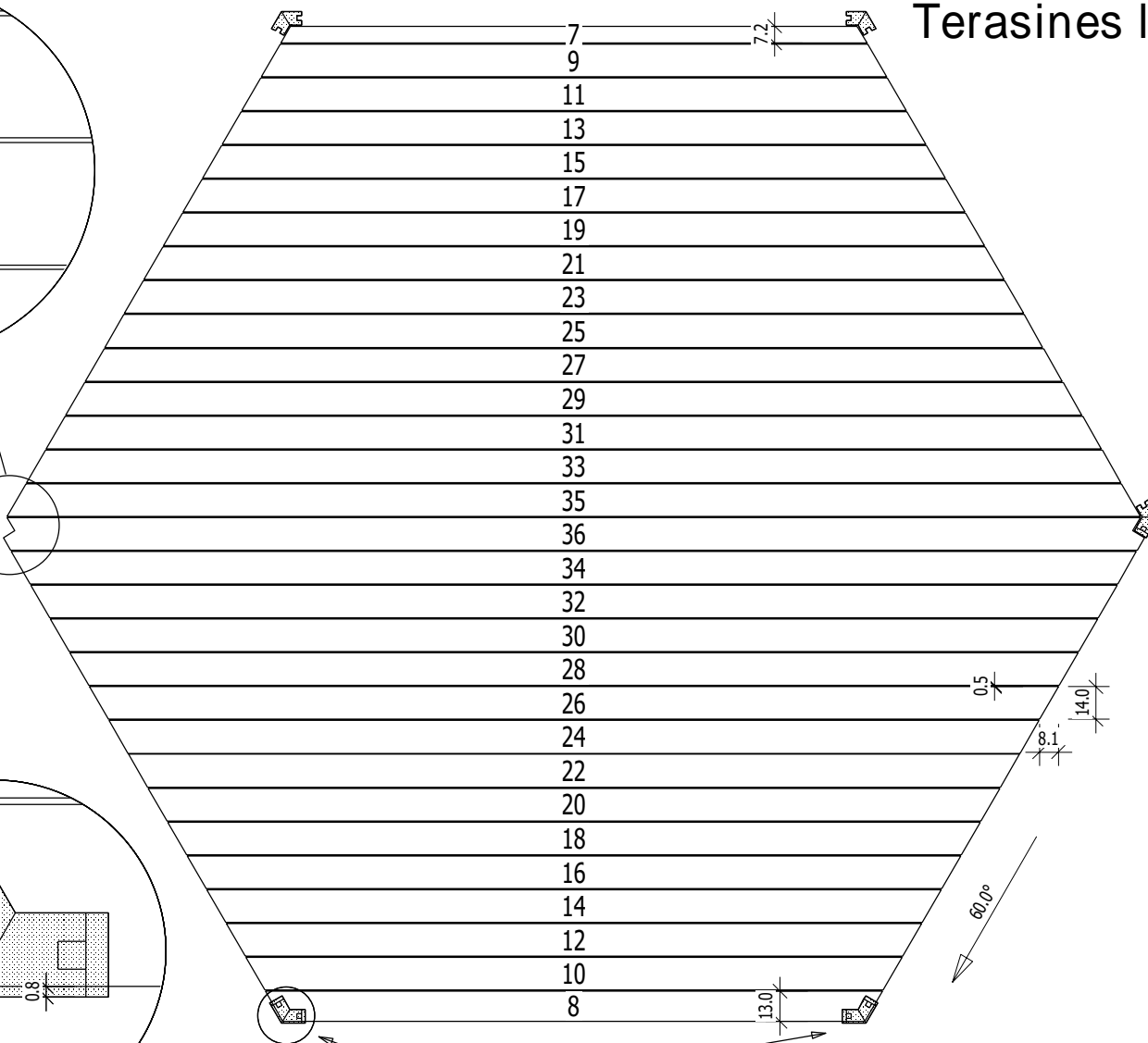
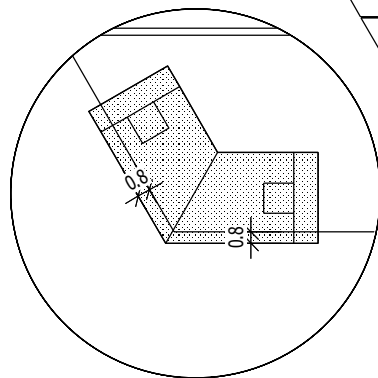
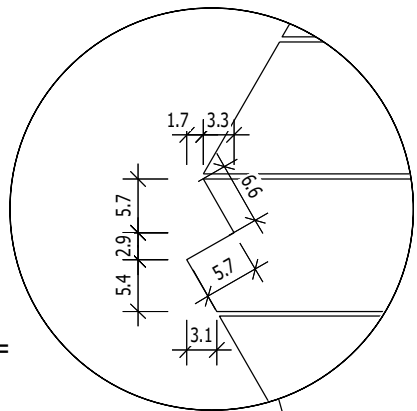
Data
2019-06-03

Projektavo
T. Kubiliunas

Terasines lentos

Nr. B H L Pcs
cm cm cm

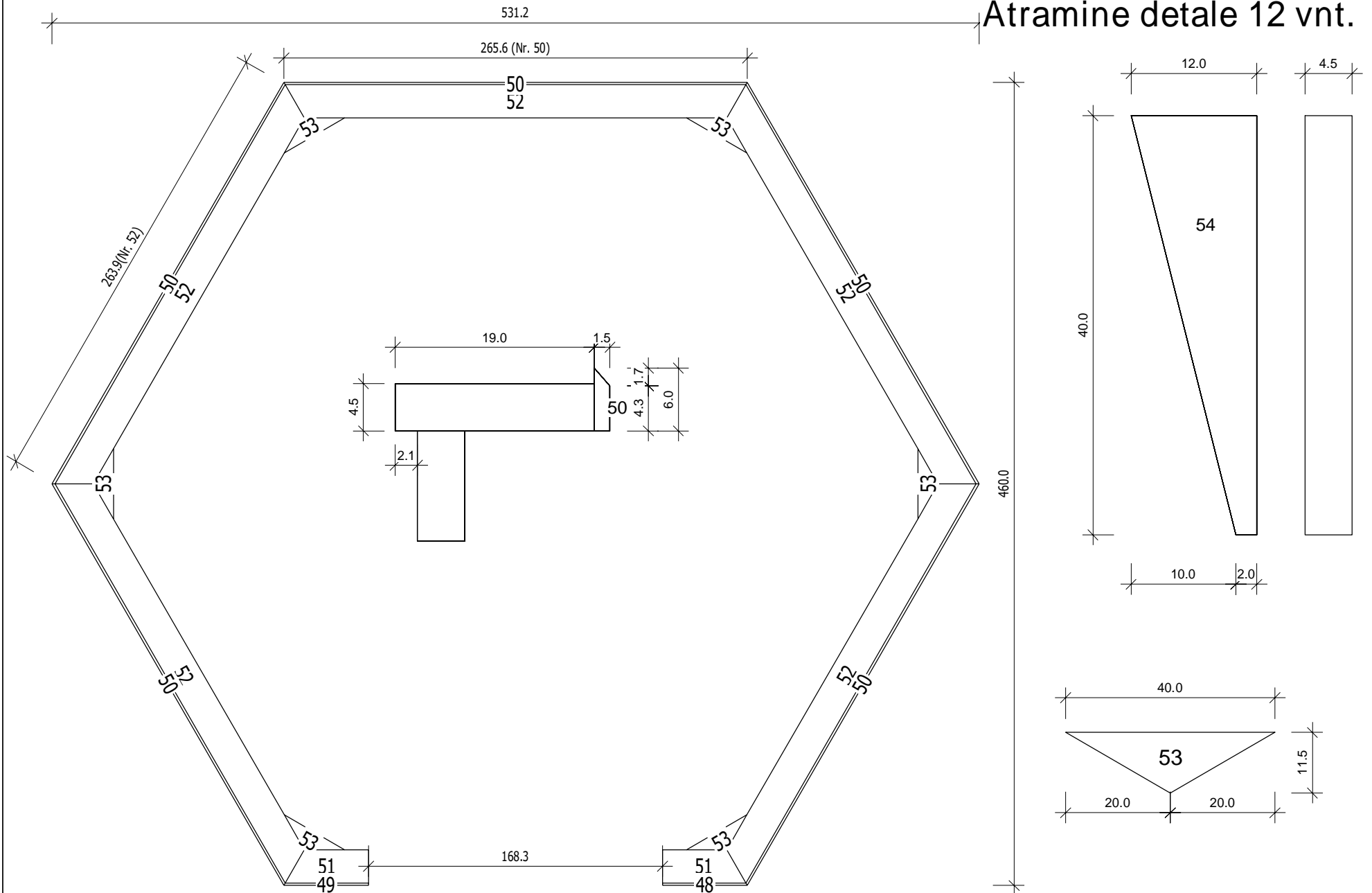
Nr.	B	H	L	Pcs
cm	cm	cm	cm	
7	7,2	3,0	251,2	1
8	13,0	3,0	264,5	1
9	14,0	3,0	267,9	1
10	14,0	3,0	281,2	1
11	14,0	3,0	284,7	1
12	14,0	3,0	297,9	1
13	14,0	3,0	301,4	1
14	14,0	3,0	314,7	1
15	14,0	3,0	318,2	1
16	14,0	3,0	331,4	1
17	14,0	3,0	334,9	1
18	14,0	3,0	348,2	1
19	14,0	3,0	351,6	1
20	14,0	3,0	364,9	1
21	14,0	3,0	368,4	1
22	14,0	3,0	381,7	1
23	14,0	3,0	385,1	1
24	14,0	3,0	398,4	1
25	14,0	3,0	401,9	1
26	14,0	3,0	415,2	1
27	14,0	3,0	418,6	1
28	14,0	3,0	431,9	1
29	14,0	3,0	435,4	1
30	14,0	3,0	448,6	1
31	14,0	3,0	452,1	1
32	14,0	3,0	465,4	1
33	14,0	3,0	468,8	1
34	14,0	3,0	482,1	1
35	14,0	3,0	485,6	1
36	14,0	3,0	489,0	1



Priekiniai stulpai statomi ant terasiniu lentu
Pfosten werden auf Spaltboden montiert

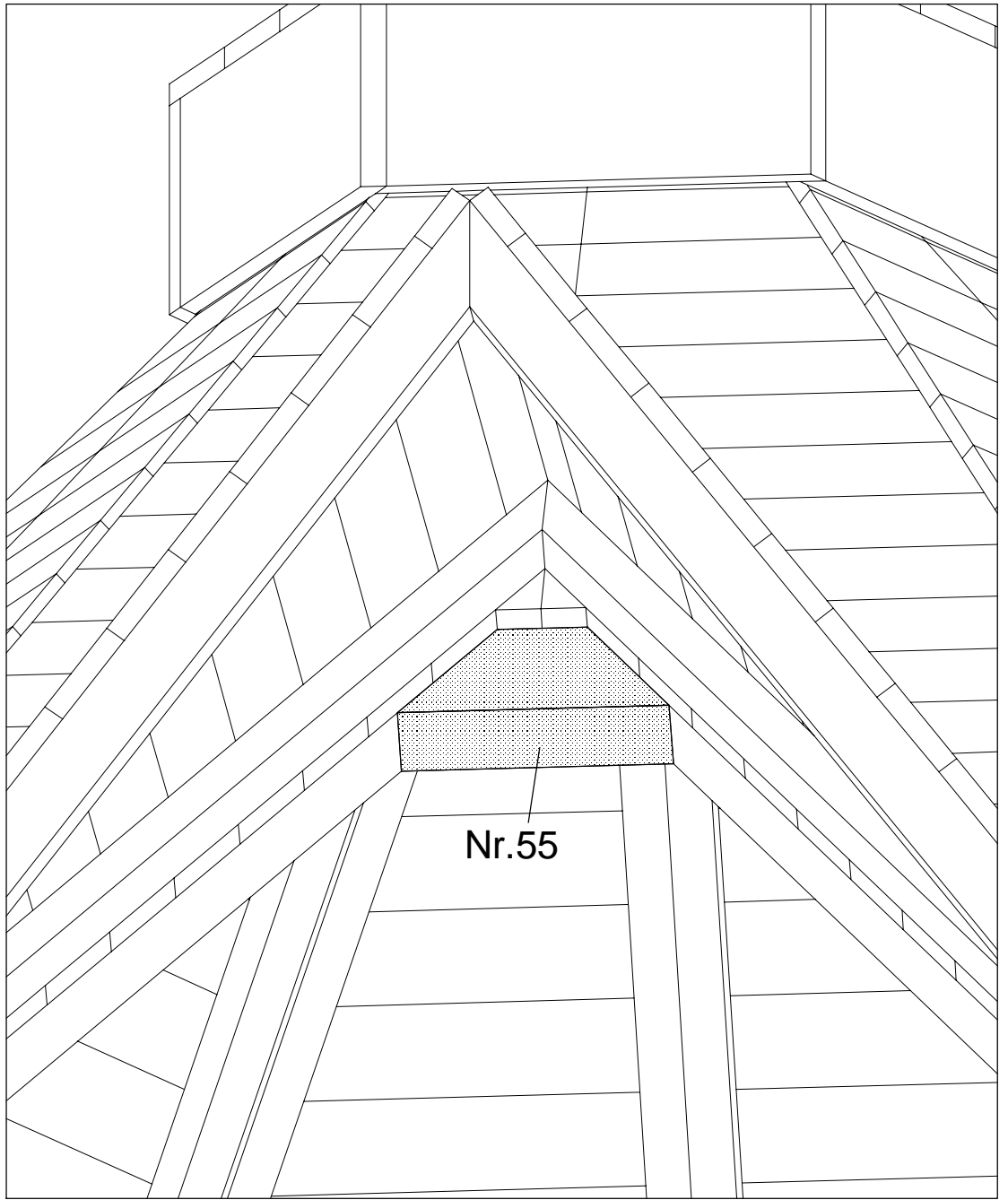
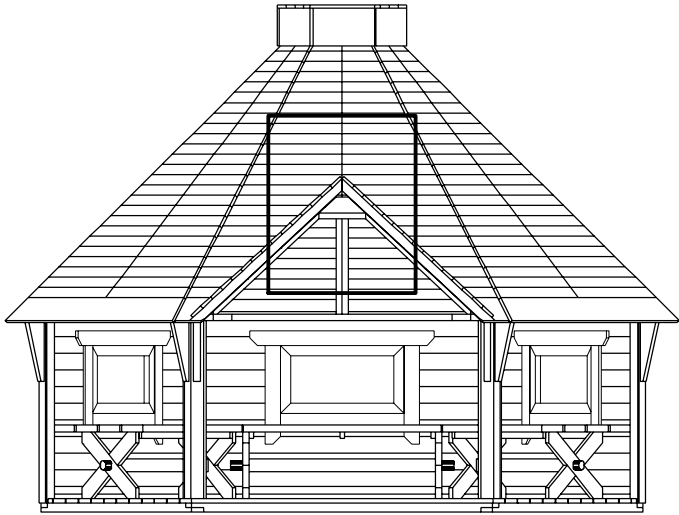
Projektas Uzsakymo Nr.	Brezinys	Mastelis 1 : 30
R-190468		Data 2019 06 03
		Projektavo T. Kubiliunas

Atramine detale 12 vnt.



47.8(Nr. 51)
48.7(Nr. 49)

Projektas Uzsakymo Nr.	Brezinys X	Mastelis 1 :
R-190468		Data 2019-06-03
		Projektavo T. Kubiliunas



Projektas

Uzsakymo Nr.

Brezinys

Stogo skydai

Mastelis

1 : 15

Data

2019 06 03

Projektavo

T. Kubiliunas

R-190468