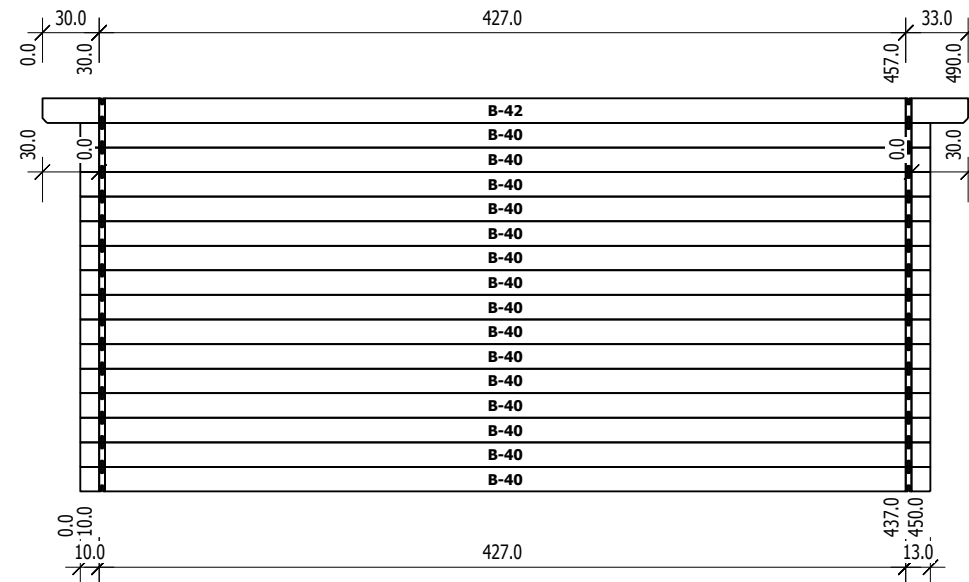
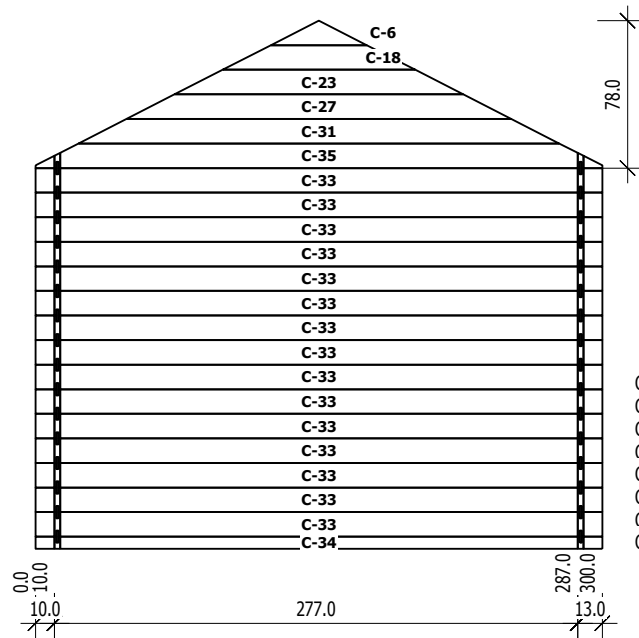


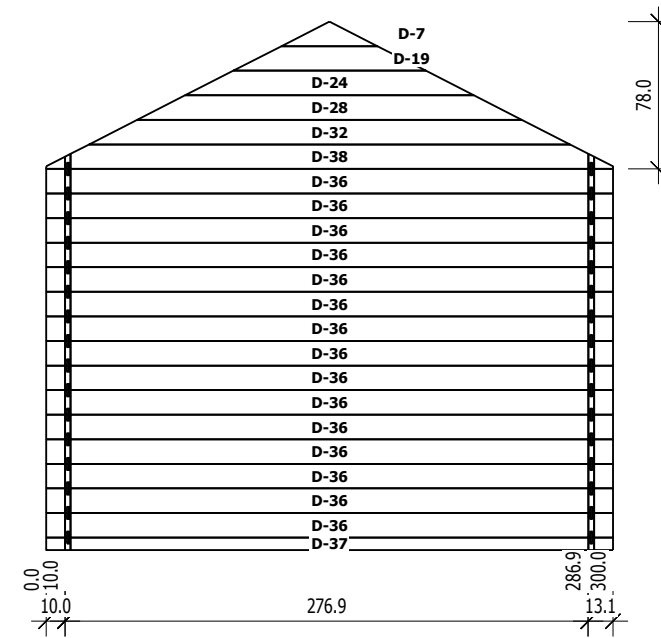
	Nr	H	L	Psc
A	1	0.4	1.0	2
A	3	13.0	32.0	14
A	4	13.0	33.0	14
A	8	13.0	62.0	1
A	20	13.0	124.0	1
A	22	13.0	145.0	14
A	25	13.0	182.0	1
A	39	13.0	450.0	1
A	41	13.0	490.0	1



	Nr	H	L	Psc
B	40	13.0	450.0	15
B	42	13.0	490.0	1



	Nr	H	L	Psc
C	6	13.0	50.9	1
C	18	13.0	101.8	1
C	23	13.0	152.7	1
C	27	13.0	203.6	1
C	31	13.0	254.5	1
C	33	13.0	300.0	15
C	34	6.5	300.0	1
C	35	13.0	300.0	1

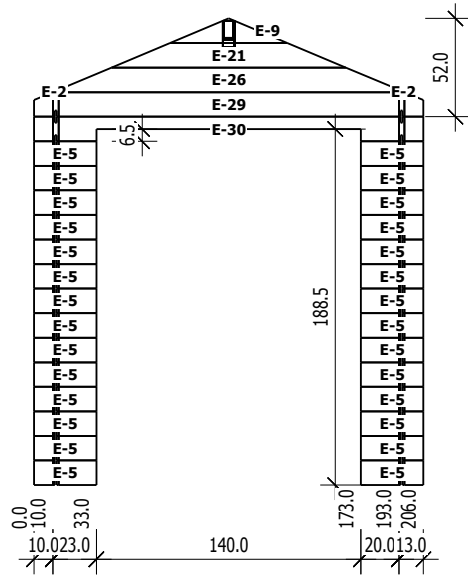


	Nr	H	L	Psc
D	7	13.0	50.9	1
D	19	13.0	101.8	1
D	24	13.0	152.7	1
D	28	13.0	203.6	1
D	32	13.0	254.5	1
D	36	13.0	300.0	15
D	37	6.5	300.0	1
D	38	13.0	300.0	1

E

M 1:40

Gegnes 6,0x14,0

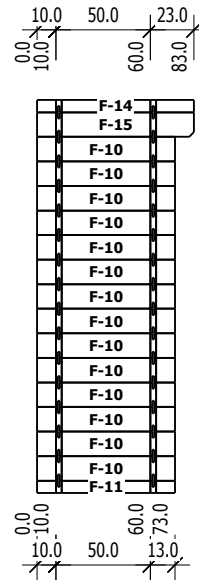


Sienos brezinys

	Nr	H	L	Psc
E	2	0,4	1,0	2
E	5	13,0	33,0	28
E	9	13,0	62,0	1
E	21	13,0	124,0	1
E	26	13,0	182,0	1
E	29	13,0	206,0	1
E	30	13,0	206,0	1

F

M 1:40

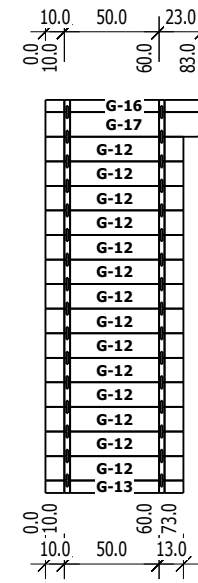


Sienos brezinys

	Nr	H	L	Psc
F	10	13,0	73,0	14
F	11	6,5	73,0	1
F	14	6,5	83,0	1
F	15	13,0	83,0	1

G

M 1:40



Sienos brezinys

	Nr	H	L	Psc
G	12	13,0	73,0	14
G	13	6,5	73,0	1
G	16	6,5	83,0	1
G	17	13,0	83,0	1

Projektas

Uzsakymo Nr.

NL-12601

Brezinys

Sienos E,F,G

Mastelis

1 :

Data

2012.08.23

Projektavo

J. Ziedelis