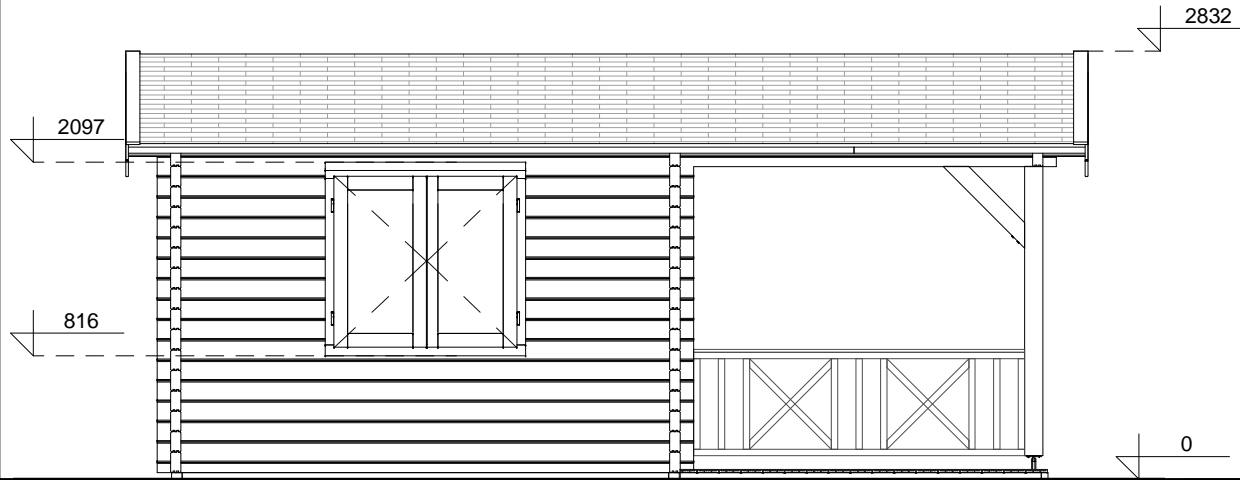
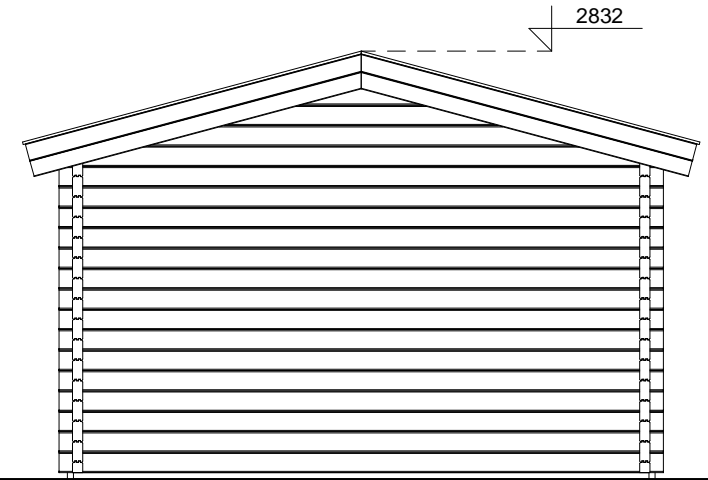


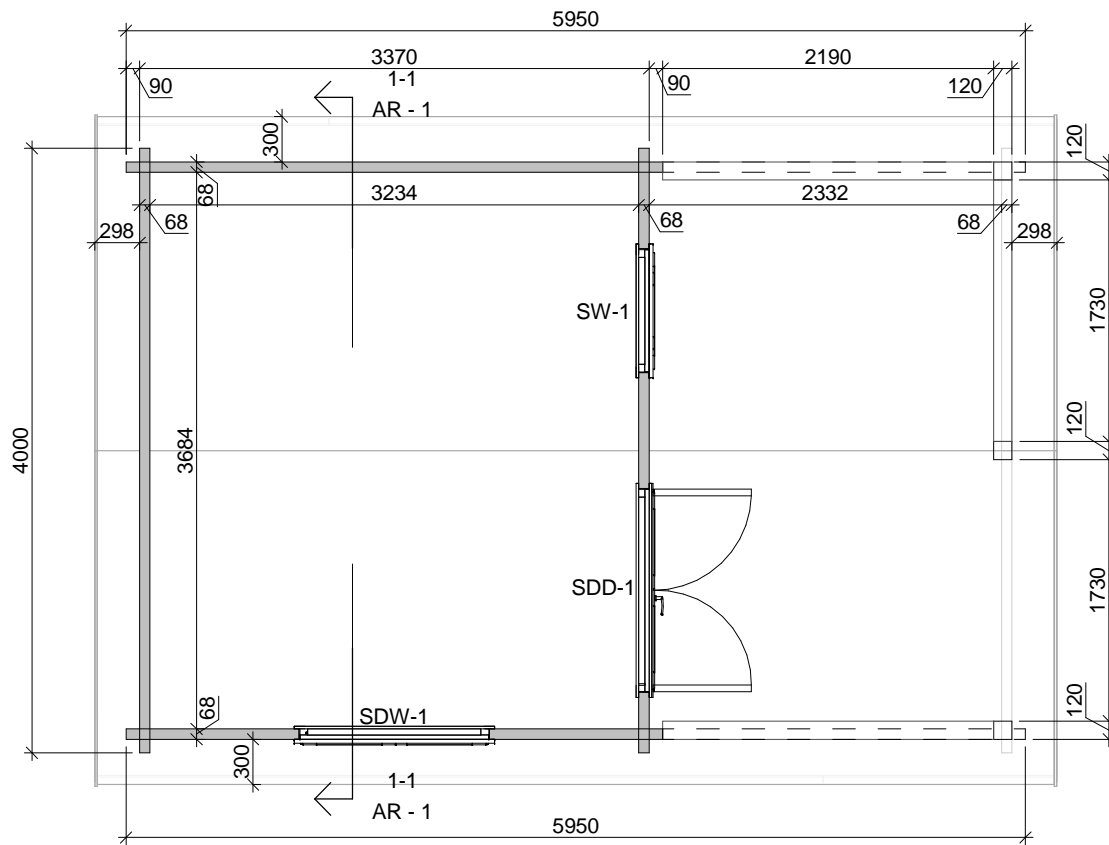
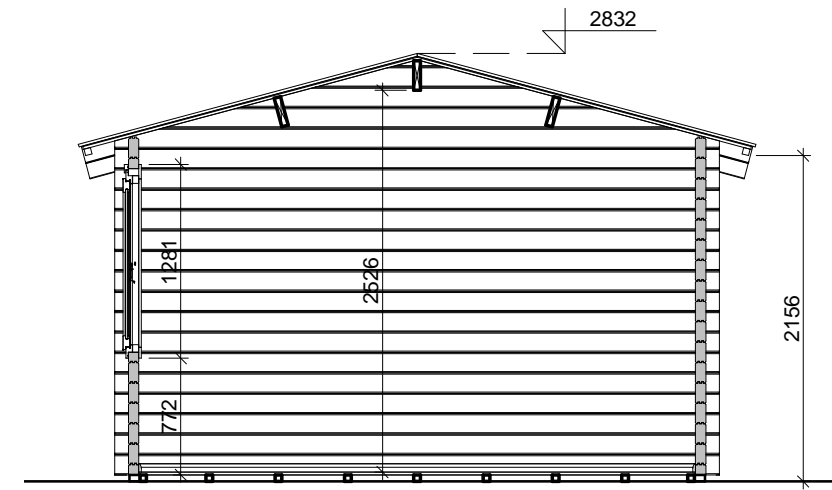
**FRONT VIEW**



**LEFT SIDE VIEW**



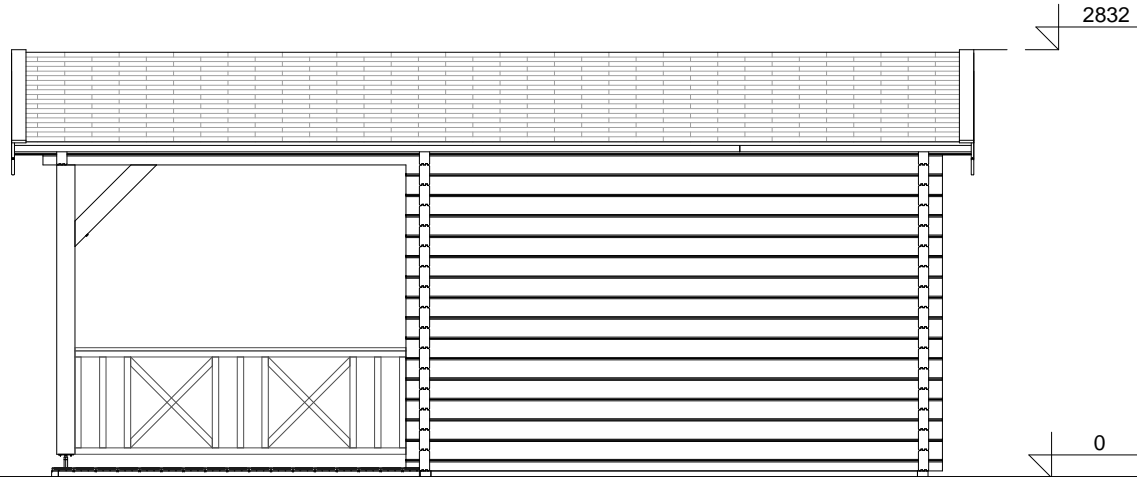
**SECTION 1-1**



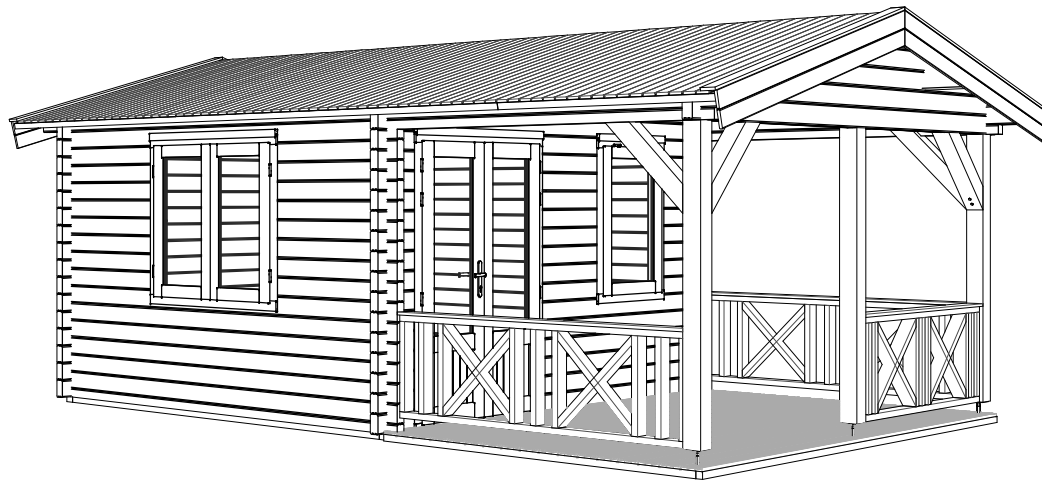
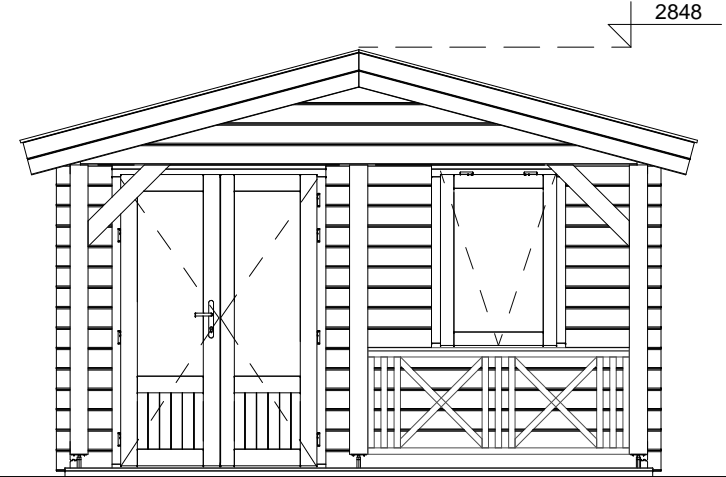
**FLOOR PLAN**

Project Nr.				
<b>HS19_68 Log cabin 400x595cm 68mm</b>				
Dealer	<b>DADSONS</b>	ARCHITECTURE DRAWINGS		Scale
Dealers references				1 : 50
	-	Drawer	Sheet Nr.	Date
	-	JZ	AR - 1	20.08.2021 14:47:22

**REAR VIEW**



**RIGHT SIDE VIEW**



**3D VIEW**

**FLOOR SCHEDULE**

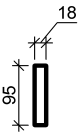
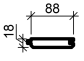

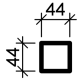
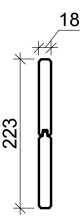
Description	Area
Ground floor 18mm	12 m <sup>2</sup>
Terrace floor	9 m <sup>2</sup>

Project Nr.

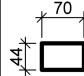
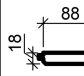
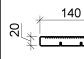

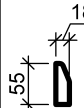
**HS19\_68 Log cabin 400x595cm 68mm**

Dealer	<b>DADSONS</b>	ARCHITECTURE DRAWINGS		Scale
				1 : 50
Dealers references	-	Drawer	Sheet Nr.	Date
	-	JZ	AR - 2	20.08.2021 14:47:25

## ROOF PART SPECIFICATION

Type Image	Keynote	Description
	CB 18x95	Cover board
	RB 18x88	Roof board 18mm
	RJ 44x195	Roof joist 44x195
	RS 44x44	Roof side board 44x44
	WB 18mm	Wind board 18mm

## FLOOR PART SPECIFICATION

Type Image	Keynote	Description
	BB 44x70	Base beam 44x70
	FB	Floor board 18mm
	FB 20x140	Larch terrace board
	FJ 44x44	Floor joist
	FS	Floor skirting

## DOOR SCHEDULE

Keynote	Count
SDD-1	1
	1

## WINDOW SCHEDULE

Keynote	Count
SDW-1	1
SW-1	1
	2

## FLOOR SCHEDULE

Description	Area
Ground floor 18mm	12 m <sup>2</sup>
Terrace floor	9 m <sup>2</sup>

## ROOF SCHEDULE

Roof cover	Area
Apex	29 m <sup>2</sup>

Project Nr.

**HS19\_68 Log cabin 400x595cm 68mm**

Dealer	<b>DADSONS</b>	ARCHITECTURE DRAWINGS		Scale
Dealers references				
	-	Drawer	Sheet Nr.	Date
	-	JZ	AR - 3	20.08.2021 14:47:25
	-			