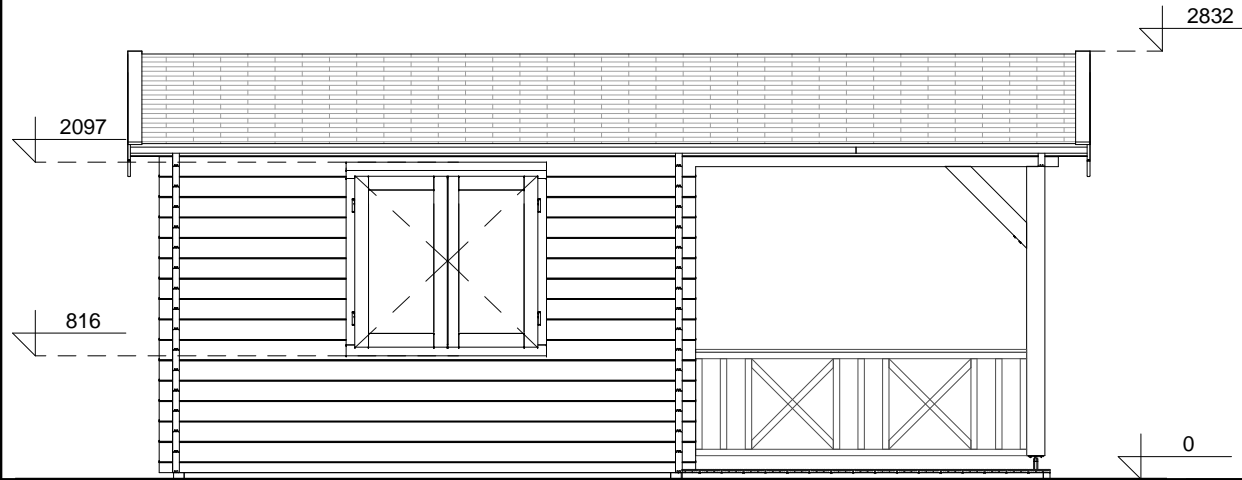
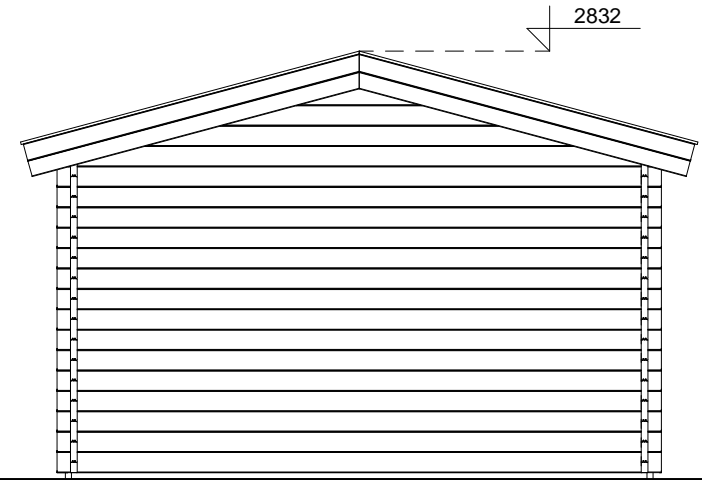


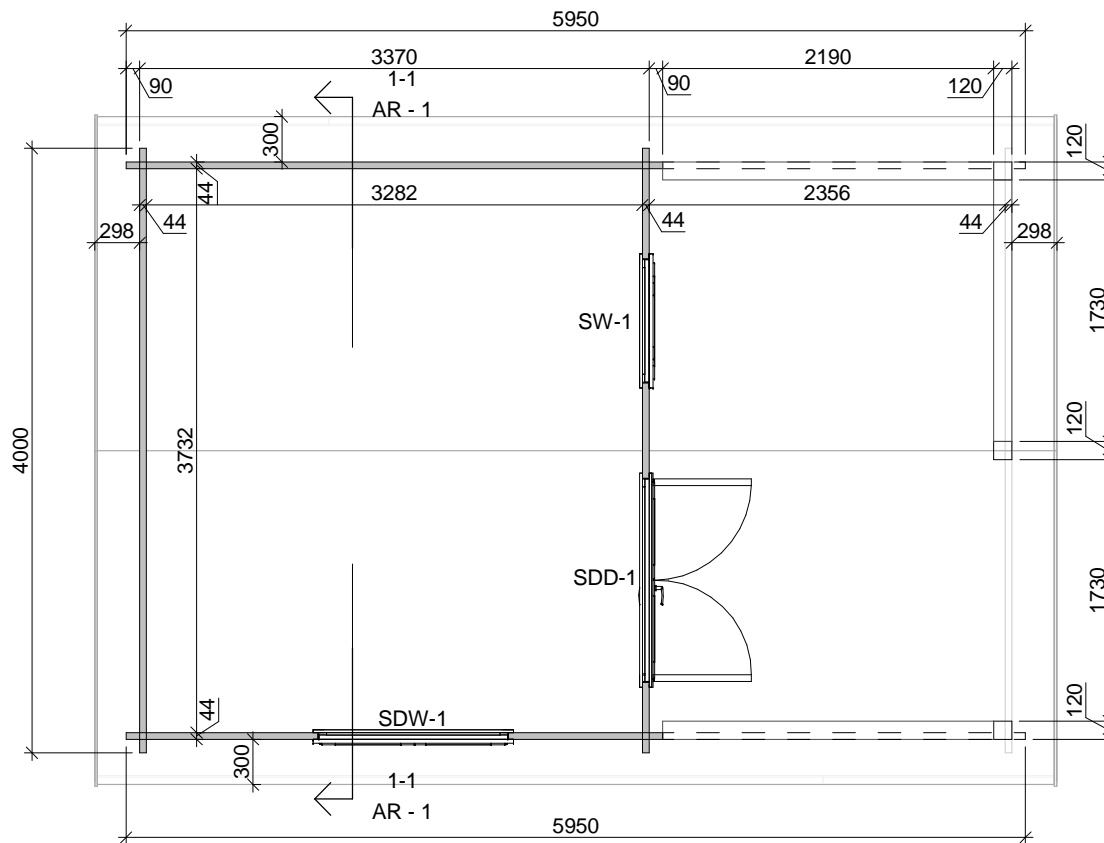
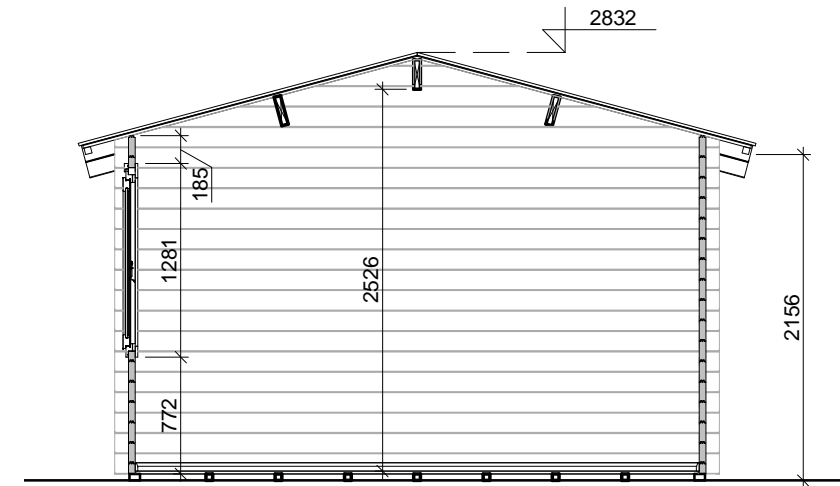
FRONT VIEW



LEFT SIDE VIEW



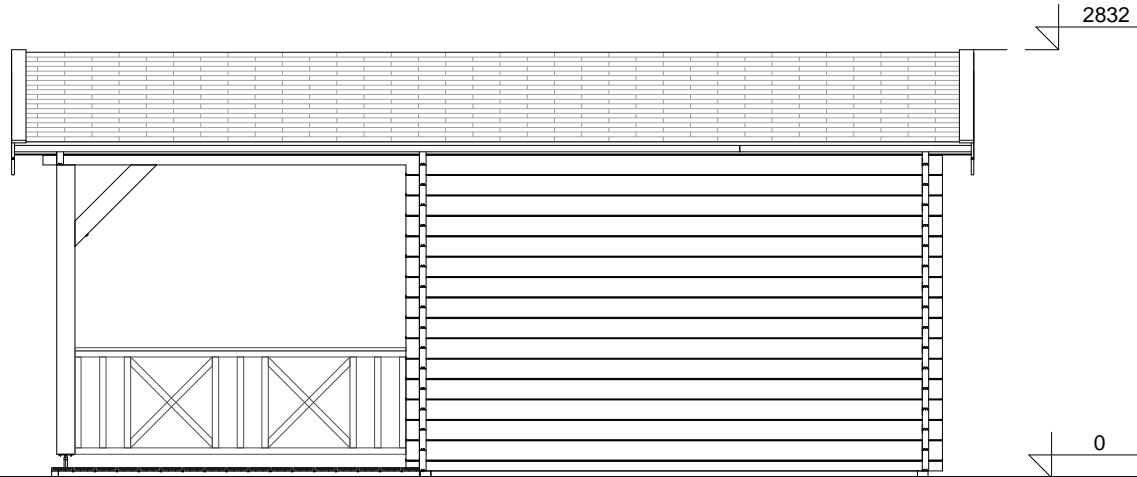
SECTION 1-1



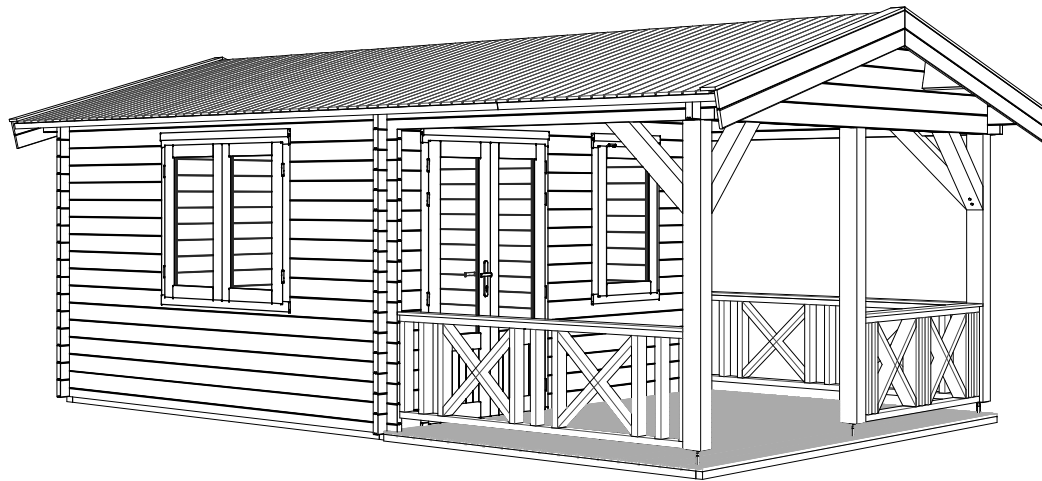
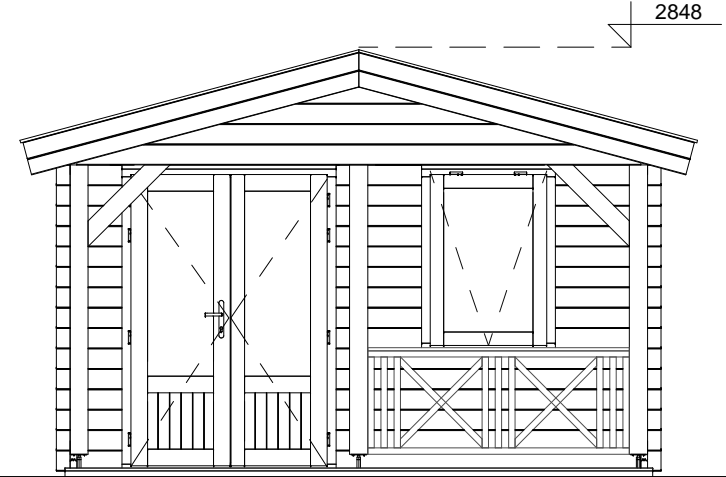
FLOOR PLAN

Project Nr.			
HS 19_44 Log cabin 400x595cm 44mm			
Dealer	DADSONS	ARCHITECTURE DRAWINGS	
Dealers references		Scale	1 : 50
		Drawer	Sheet Nr.
		JZ	AR - 1
			Date
			20.08.2021 12:00:39

REAR VIEW



RIGHT SIDE VIEW



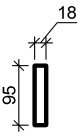
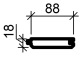

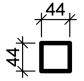
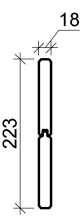
3D VIEW

FLOOR SCHEDULE

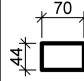
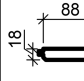
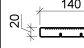
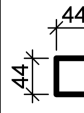
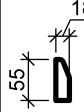
Description	Area
Ground floor 18mm	12 m ²
Terrace floor	9 m ²

Project Nr.					
HS 19_44 Log cabin 400x595cm 44mm					
Dealer	DADSONS			ARCHITECTURE DRAWINGS	
Dealers references				Scale 1 : 50	
	-	Drawer	Sheet Nr.	Date	
	-	JZ	AR - 2	20.08.2021 12:00:41	

ROOF PART SPECIFICATION

Type Image	Keynote	Description
	CB 18x95	Cover board
	RB 18x88	Roof board 18mm
	RJ 44x195	Roof joist 44x195
	RS 44x44	Roof side board 44x44
	WB 18mm	Wind board 18mm

FLOOR PART SPECIFICATION

Type Image	Keynote	Description
	BB 44x70	Base beam 44x70
	FB	Floor board 18mm
	FB 20x140	Larch terrace board
	FJ 44x44	Floor joist
	FS	Floor skirting

DOOR SCHEDULE

Keynote	Count
SDD-1	1
	1

WINDOW SCHEDULE

Keynote	Count
SDW-1	1
SW-1	1
	2

FLOOR SCHEDULE

Description	Area
Ground floor 18mm	12 m ²
Terrace floor	9 m ²

ROOF SCHEDULE

Roof cover	Area
Apex	29 m ²

Project Nr.

HS 19_44 Log cabin 400x595cm 44mm

Dealer	DADSONS	ARCHITECTURE DRAWINGS		Scale
Dealers references				
	-	Drawer	Sheet Nr.	Date
	-	JZ	AR - 3	20.08.2021 12:00:41
	-			