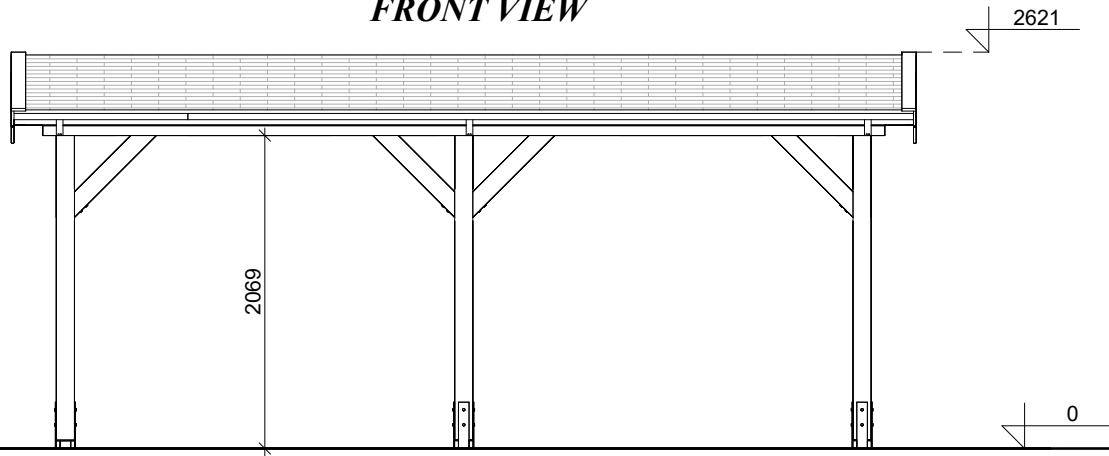
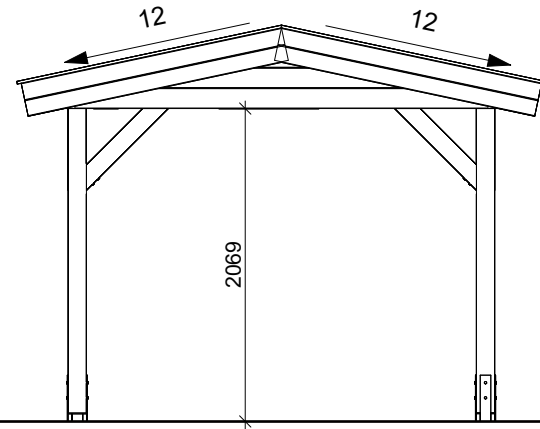


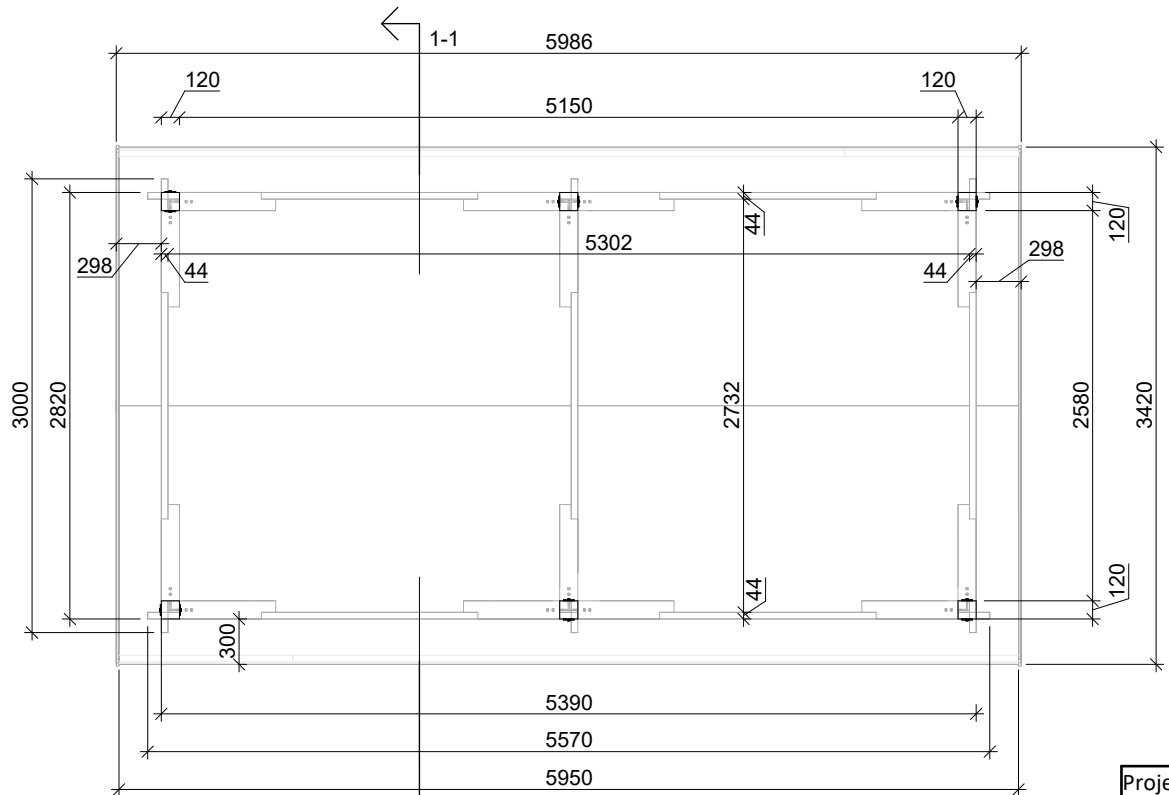
FRONT VIEW



LEFT SIDE VIEW

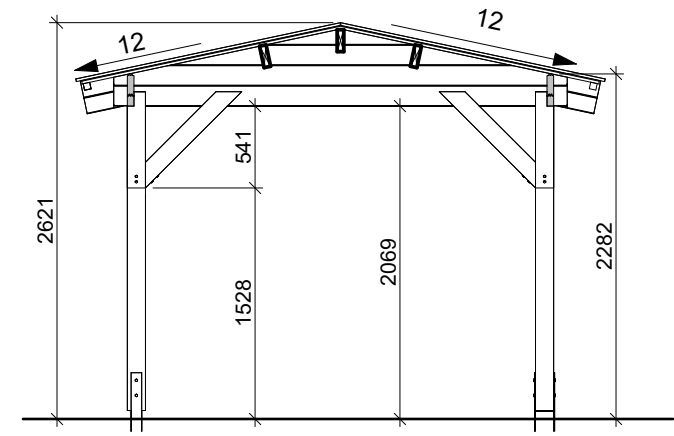


1-1



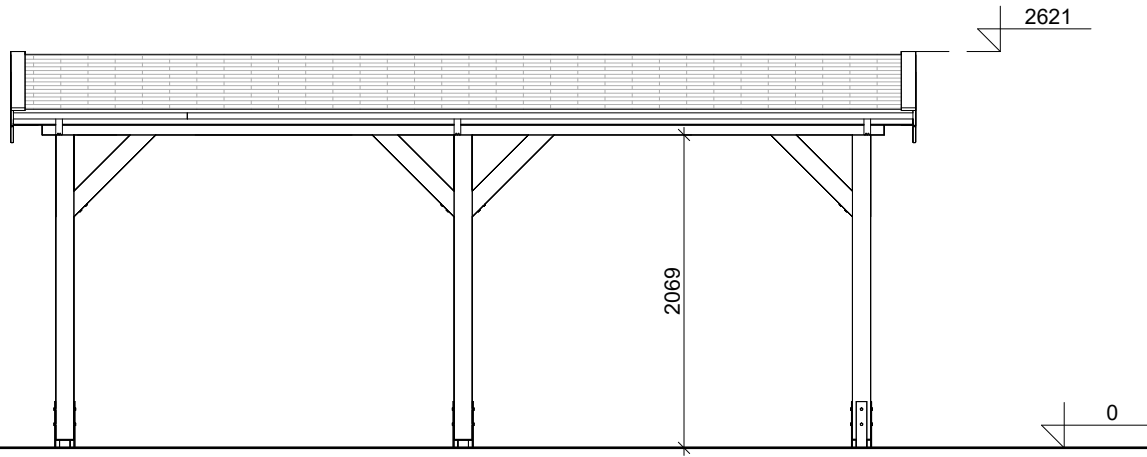
1-1 FLOOR PLAN

SECTION 1-1

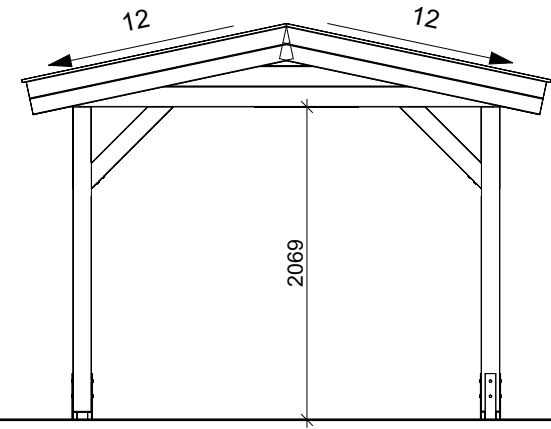


Project Nr.				
354-09-22AZ Log cabin 557x300cm 44mm				
ARCHITECTURE DRAWINGS	Scale	Drawer	Sheet Nr.	Date
	1 : 50	DB	AR - 1	02.09.2022 12:45:06

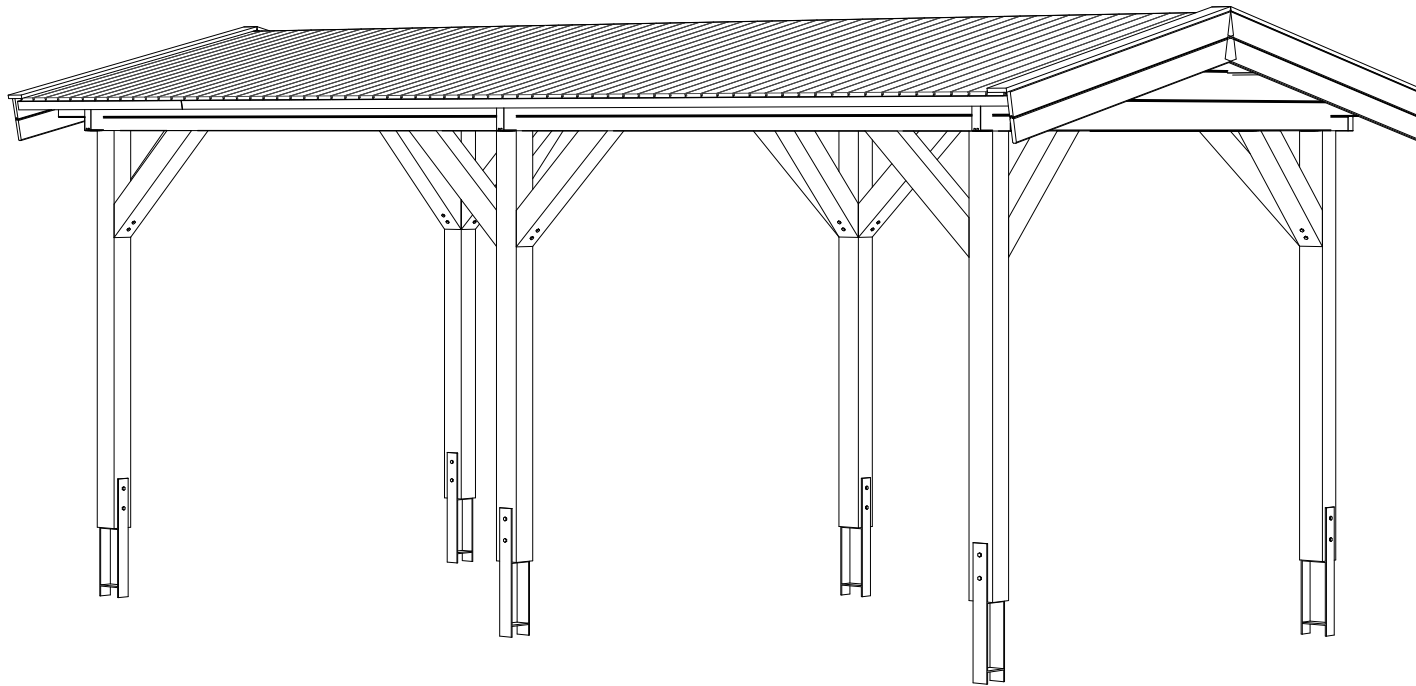
REAR VIEW



RIGHT SIDE VIEW



3D VIEW



Project Nr.

354-09-22AZ Log cabin 557x300cm 44mm

ARCHITECTURE
DRAWINGS

Scale

1 : 50

Drawer

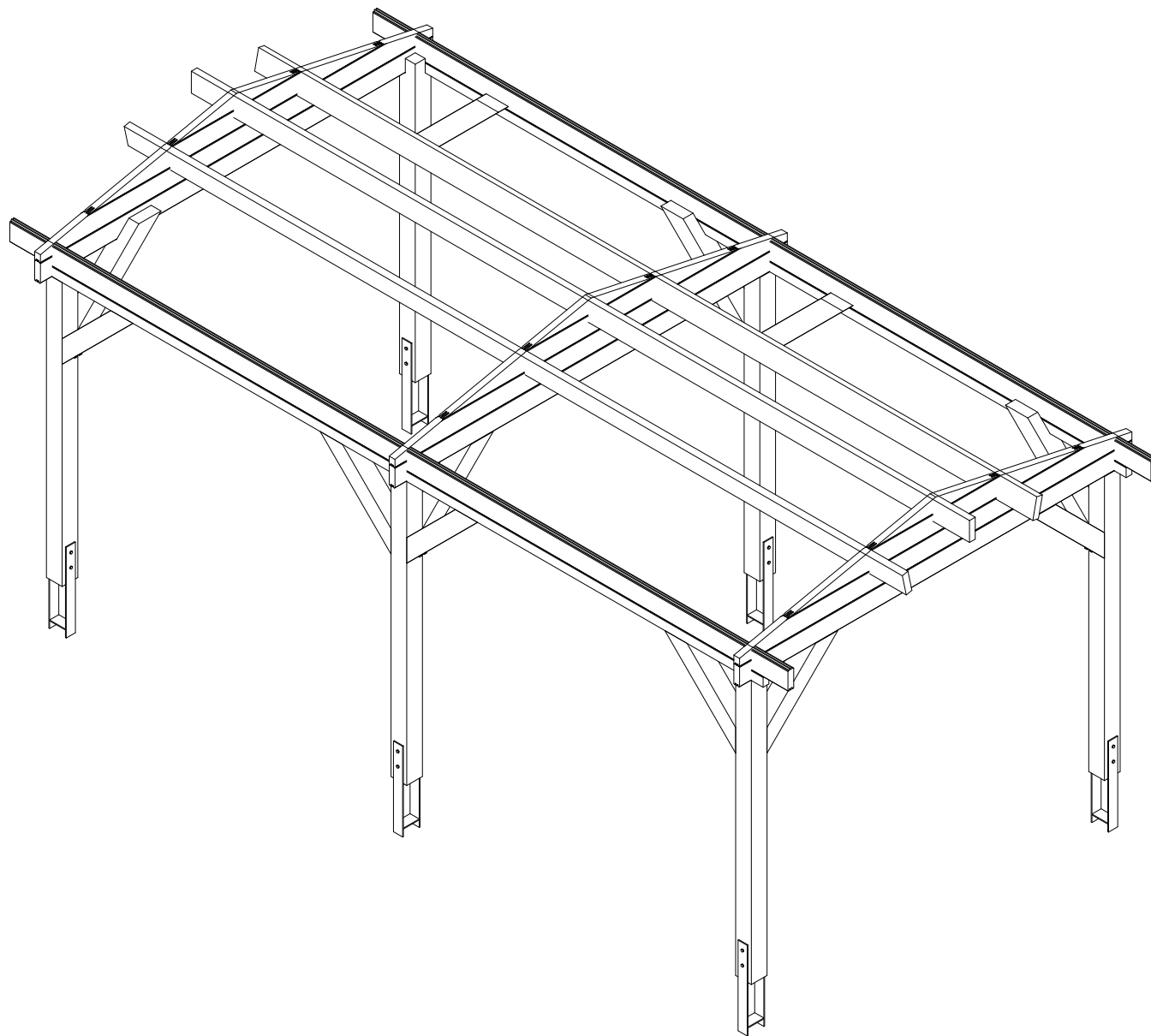
DB

Sheet Nr.

AR - 2

Date

02.09.2022
12:45:07



Project Nr.

354-09-22AZ Log cabin 557x300cm 44mm

ARCHITECTURE
DRAWINGS

Scale

Drawer

Sheet Nr.

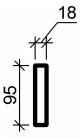
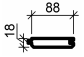
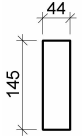
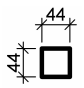
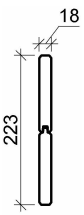
Date

DB

AR - 3

02.09.2022
12:45:07

ROOF PART SPECIFICATION

Type Image	Keynote	Description
	CB 18x95	Cover board
	RB 18x88	Roof board 18mm
	RJ 44x145	Roof joist 44x145
	RS 44x44	Roof side board 44x44
	WB 18mm	Wind board 18mm

FLOOR PART SPECIFICATION

Type Image	Keynote	Description
------------	---------	-------------

DOOR SCHEDULE

Keynote	Count
---------	-------

WINDOW SCHEDULE

Keynote	Count
---------	-------

ROOF SCHEDULE

Roof type	Area
Apex	21 m ²
	21 m ²

FLOOR SCHEDULE

Description	Area
-------------	------

Project Nr.

354-09-22AZ Log cabin 557x300cm 44mm

ARCHITECTURE
DRAWINGS

Scale

Drawer

Sheet Nr.

Date

DB

AR - 4

02.09.2022
12:45:07