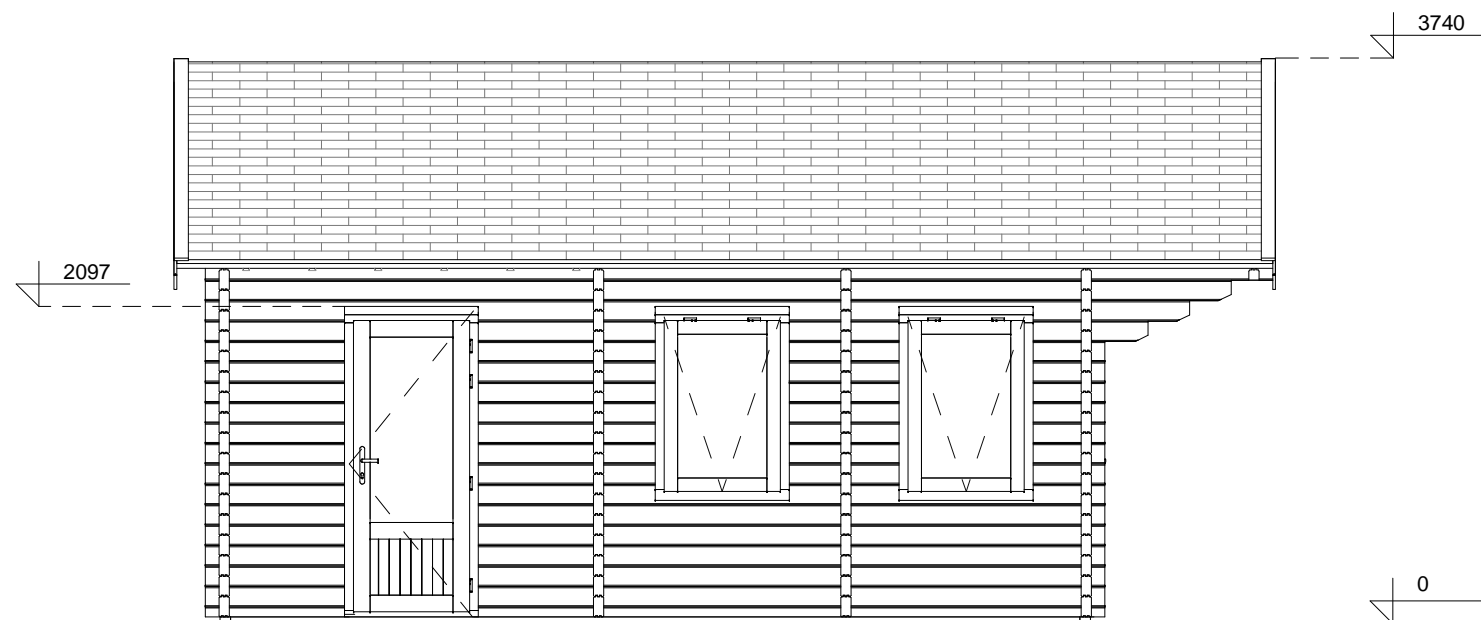
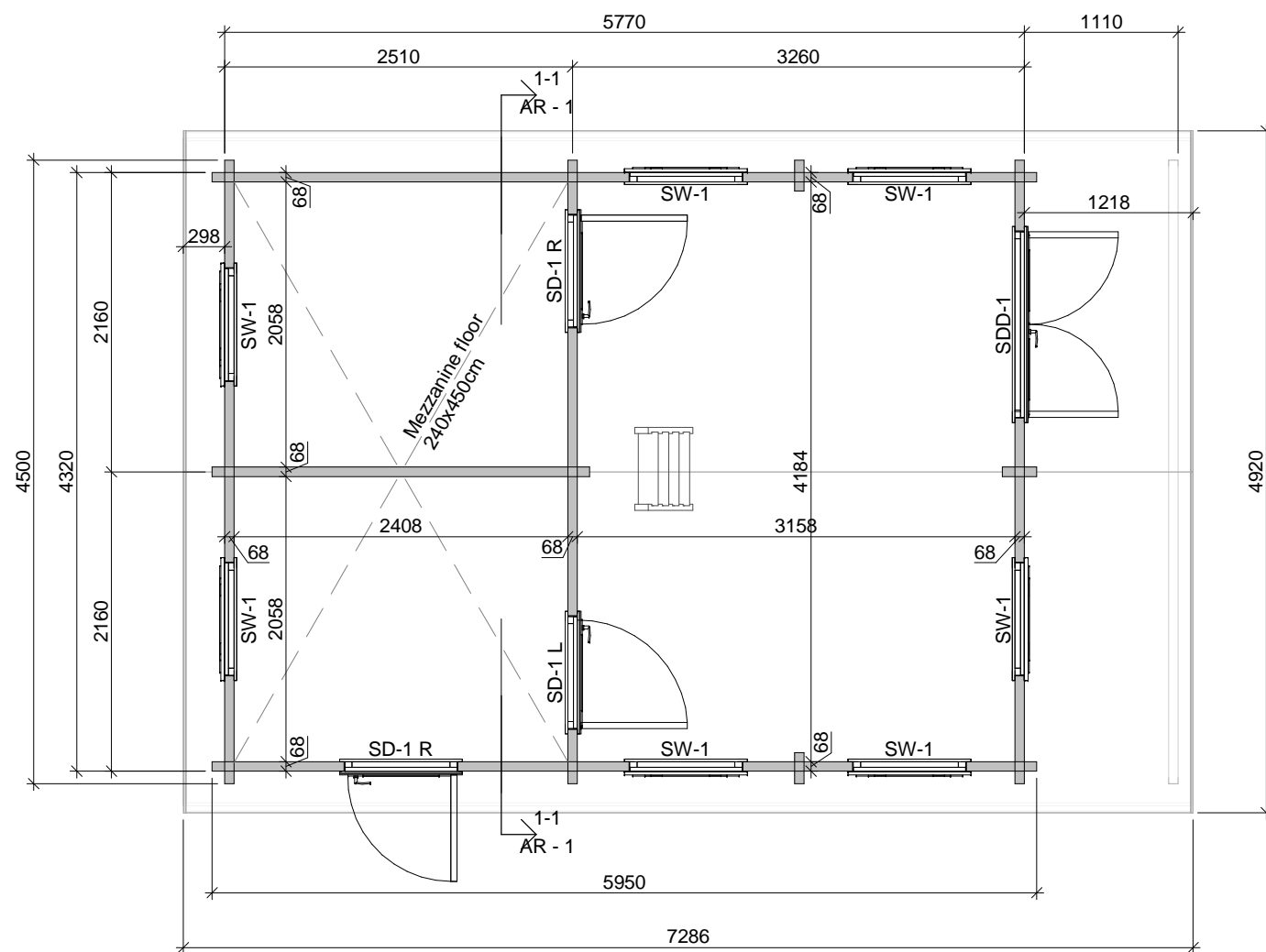
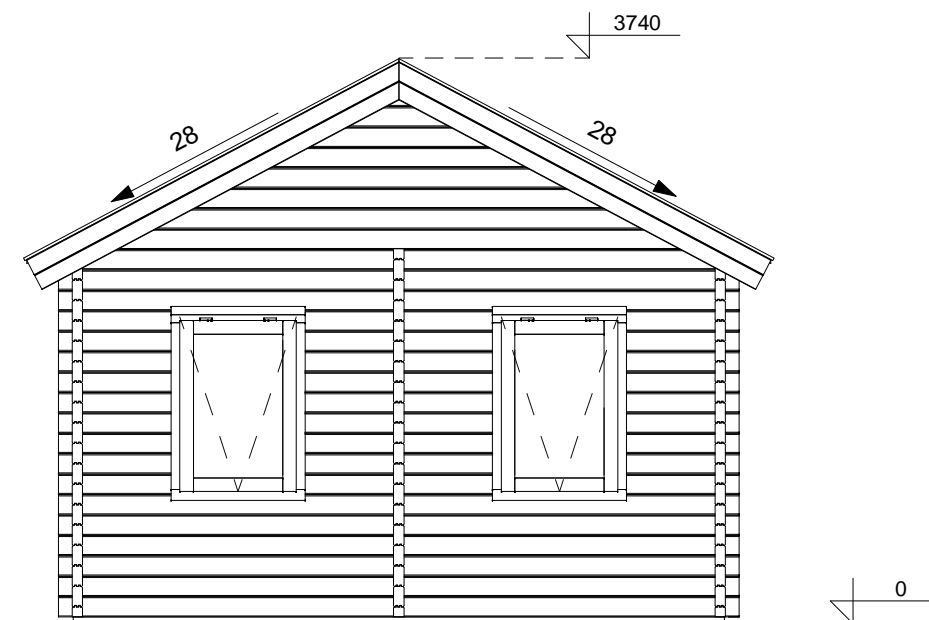


FRONT VIEW

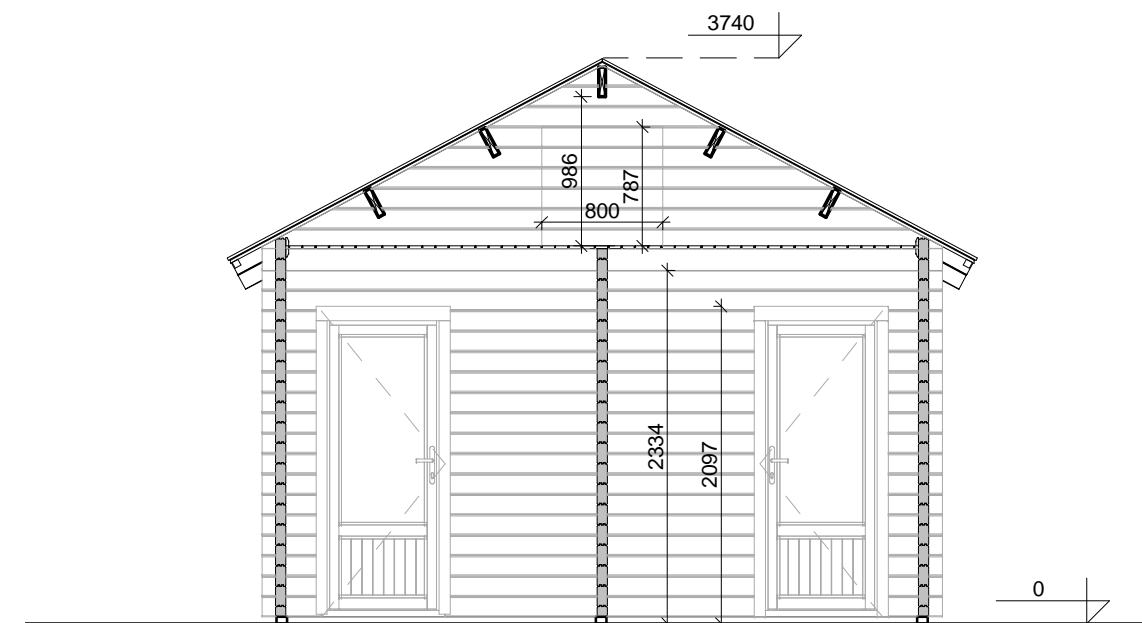


LEFT SIDE VIEW



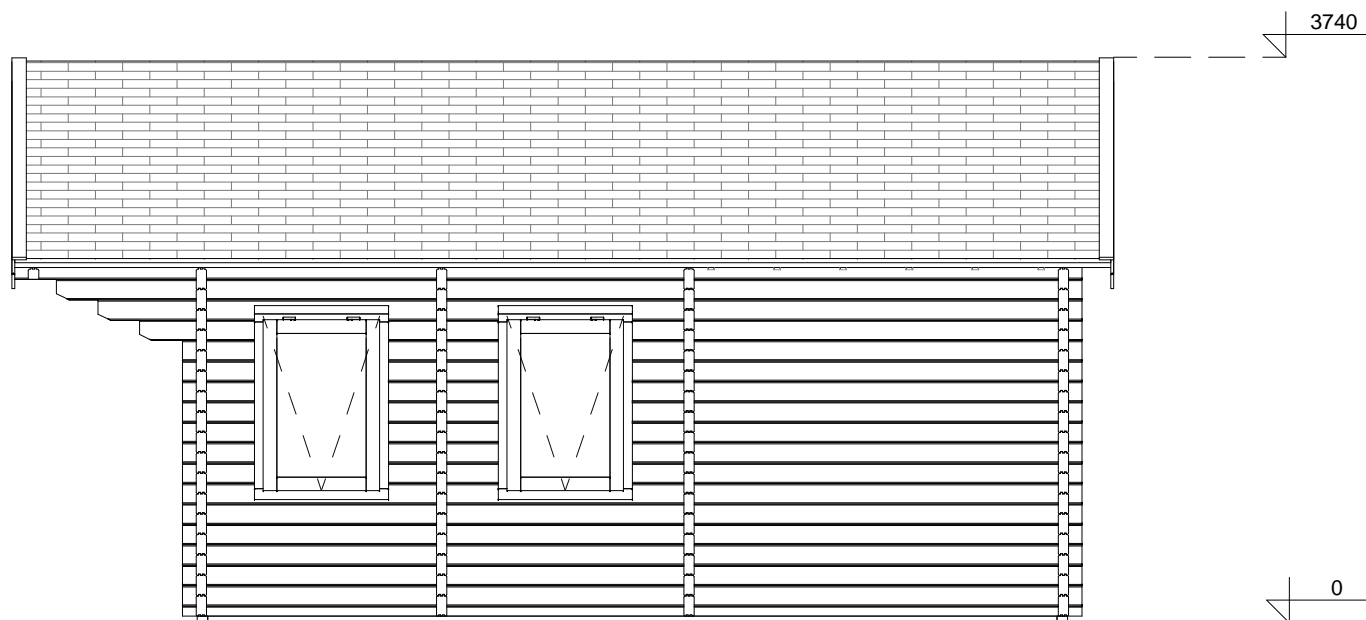
FLOOR PLAN

SECTION 1-1

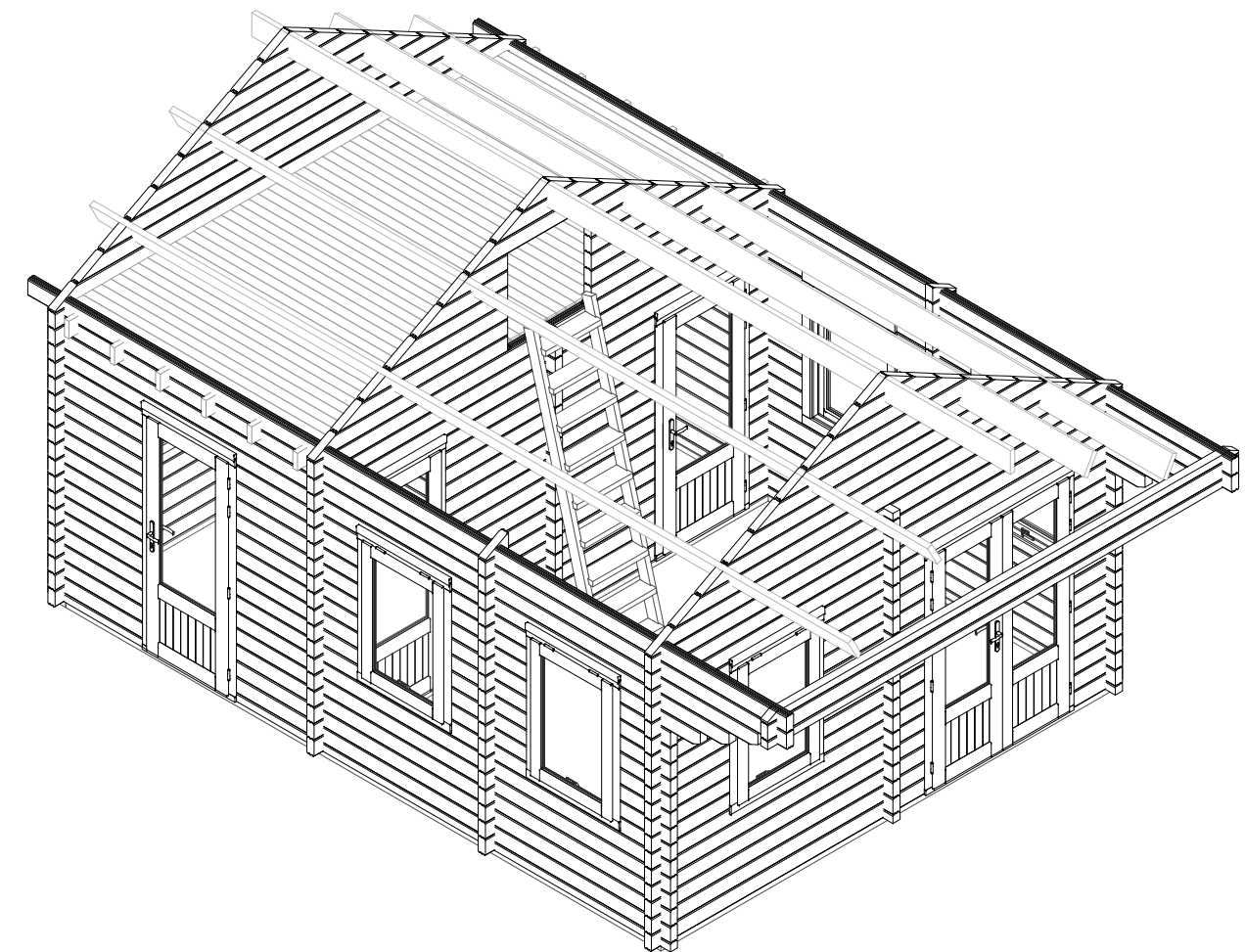
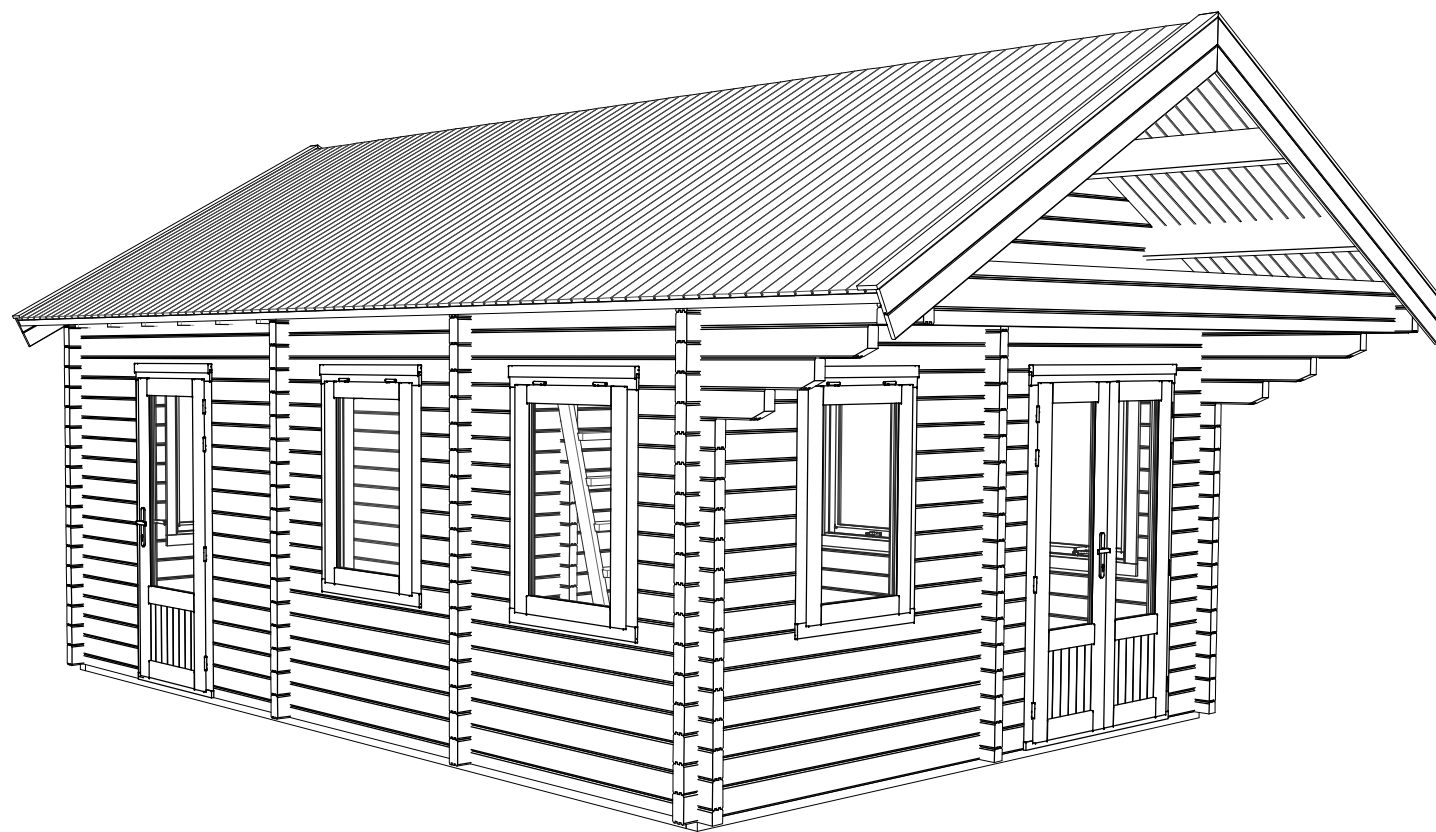
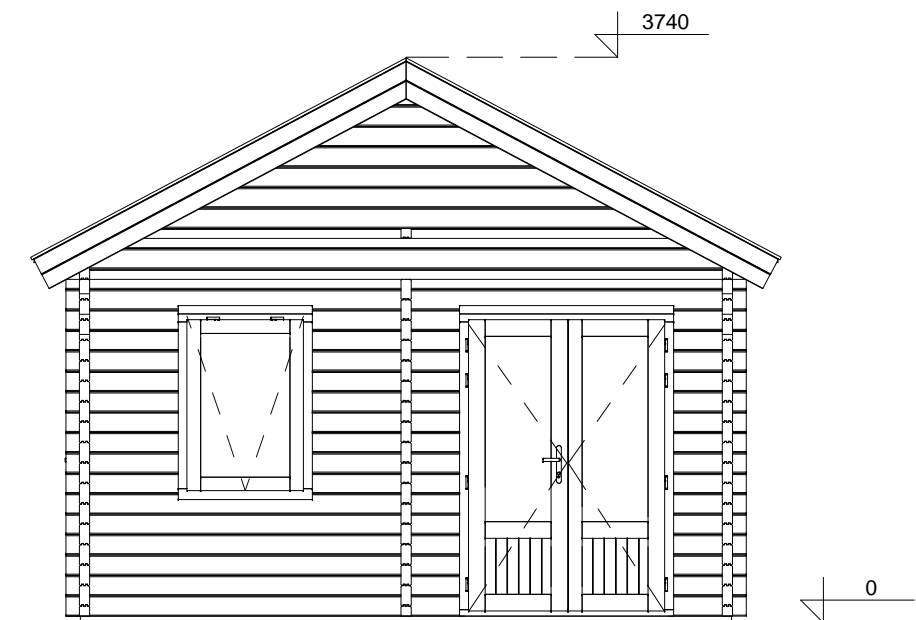


Project Nr.		HS33_68 Log cabin 450x595cm 68mm		
ARCHITECTURE DRAWINGS	Scale	Drawer	Sheet Nr.	Date
	1 : 50	JZ	AR - 1	25.08.2021 15:14:49

REAR VIEW



RIGHT SIDE VIEW



3D VIEWS

FLOOR SCHEDULE

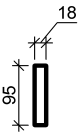
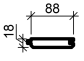

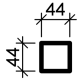
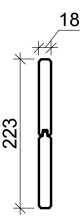
Description	Area
2. story floor 18mm	10 m ²

Project Nr.

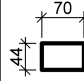
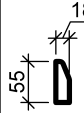
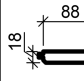
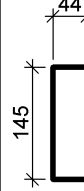
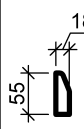
HS33_68 Log cabin 450x595cm 68mm

ARCHITECTURE DRAWINGS	Scale	Drawer	Sheet Nr.	Date
	1 : 50	JZ	AR - 2	25.08.2021 15:14:51

ROOF PART SPECIFICATION

Type Image	Keynote	Description
	CB 18x95	Cover board
	RB 18x88	Roof board 18mm
	RJ 44x195	Roof joist 44x195
	RS 44x44	Roof side board 44x44
	WB 18mm	Wind board 18mm

FLOOR PART SPECIFICATION

Type Image	Keynote	Description
	BB 44x70	Base beam 44x70
	CS	Ceiling skirting
	FB	Mezzanine floor board 18mm
	FJ 44x145	Mezzanine floor joist 44x145
	FS	Mezzanine floor skirting

DOOR SCHEDULE

Keynote	Count
SD-1 L	1
SD-1 R	2
SDD-1	1
	4

WINDOW SCHEDULE

Keynote	Count
SW-1	7
	7

ROOF SCHEDULE

Roof cover	Area
Apex	40 m ²

FLOOR SCHEDULE

Description	Area
2. story floor 18mm	10 m ²

Project Nr.

HS33_68 Log cabin 450x595cm 68mm

ARCHITECTURE
DRAWINGS

Scale

Drawer

Sheet Nr.

Date

JZ

AR - 3

25.08.2021
15:15:10