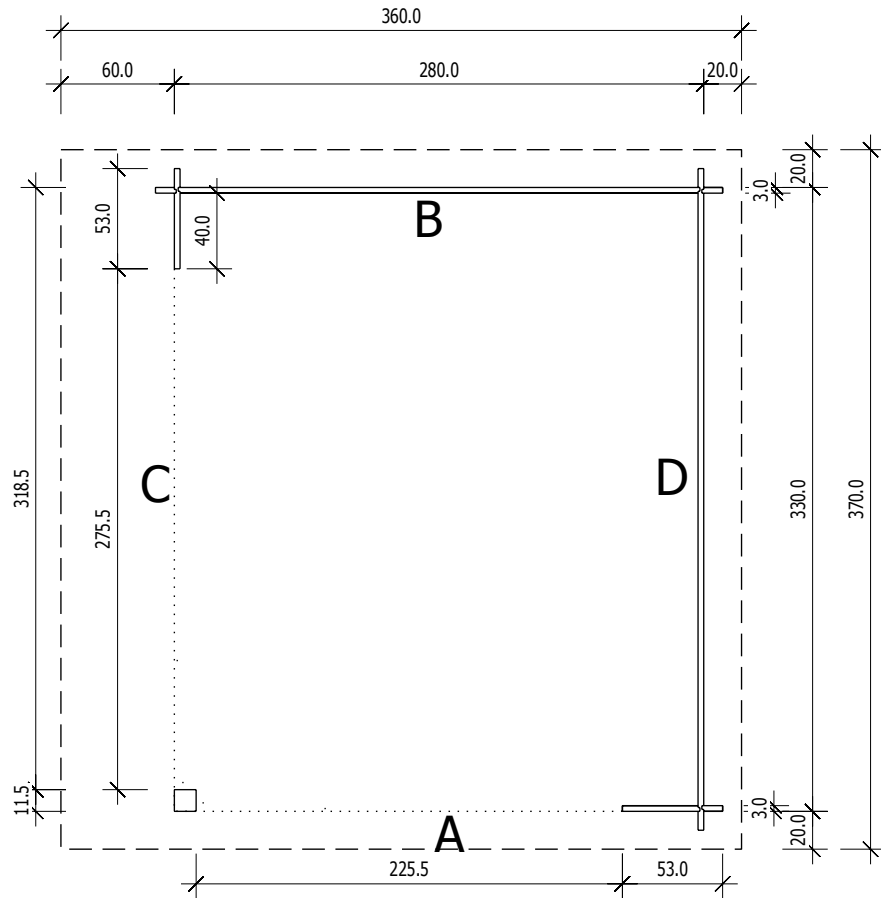


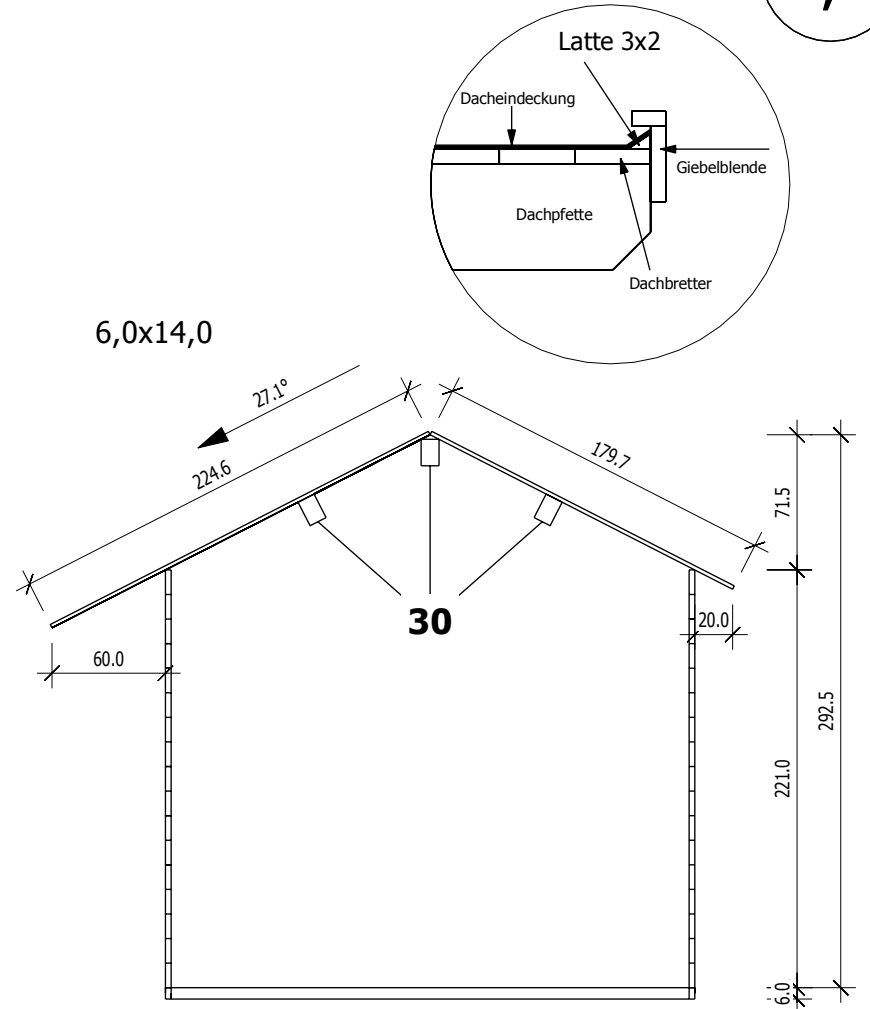
Bemerkung: die Ansicht von Turen, Fenster und anderen Teilen kann abweichen von diesem Bild

# Grundriss



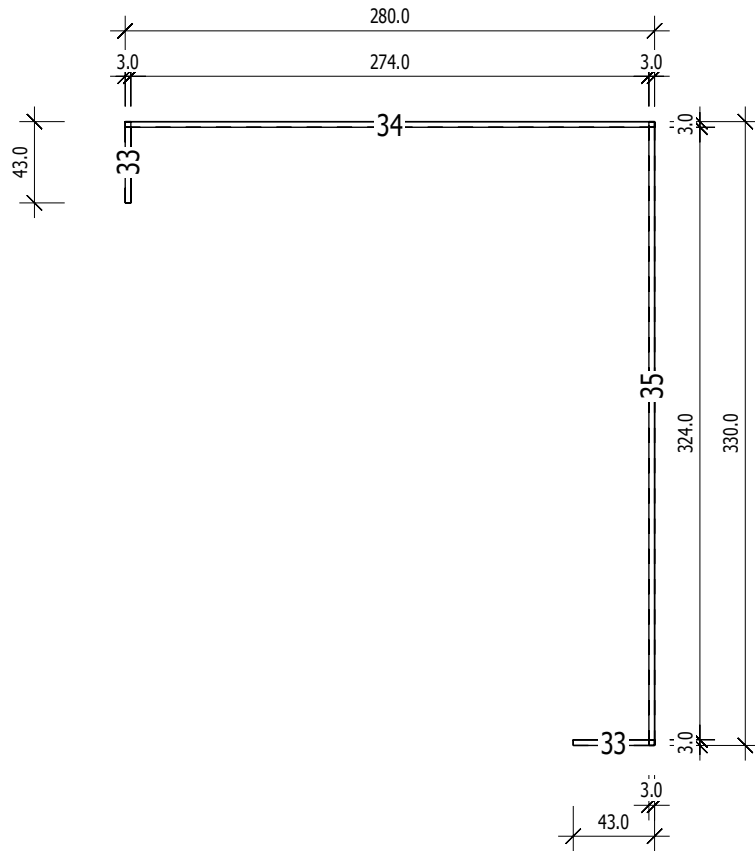
# Schnitt

3,0

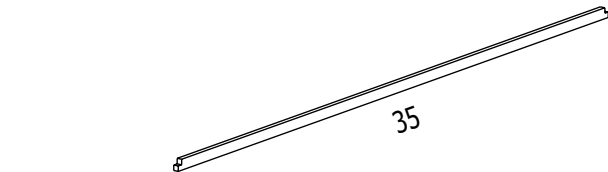
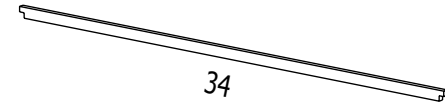


# Grundrahmenplan

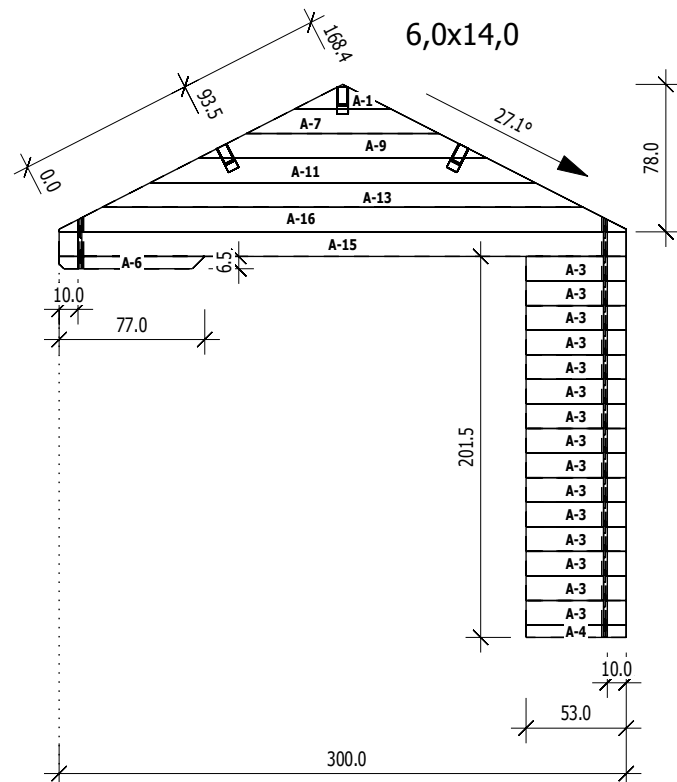
3,0



| Nr. | B    | H    | L     | Psc |
|-----|------|------|-------|-----|
|     | [cm] | [cm] | [cm]  |     |
| 33  | 3,0  | 6,0  | 43,0  | 2   |
| 34  | 3,0  | 6,0  | 280,0 | 1   |
| 35  | 3,0  | 6,0  | 330,0 | 1   |

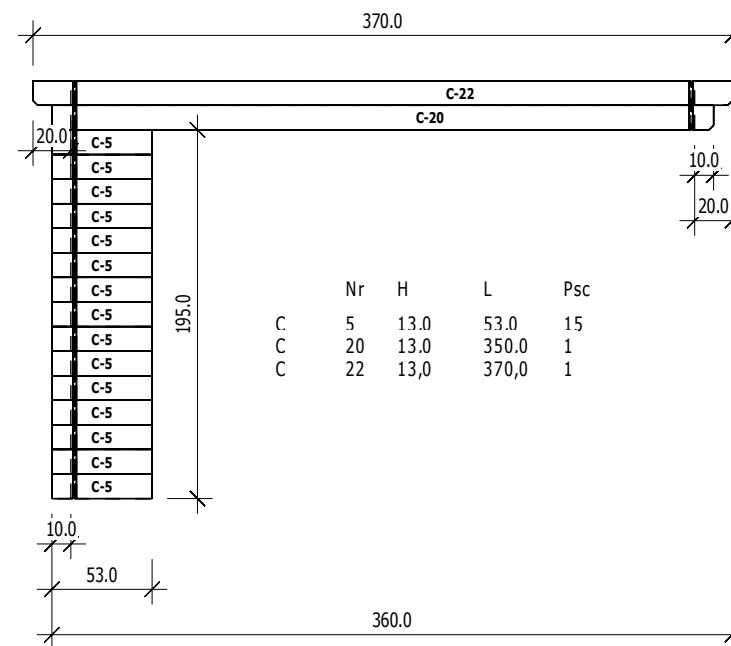


**A**  
M 1:40



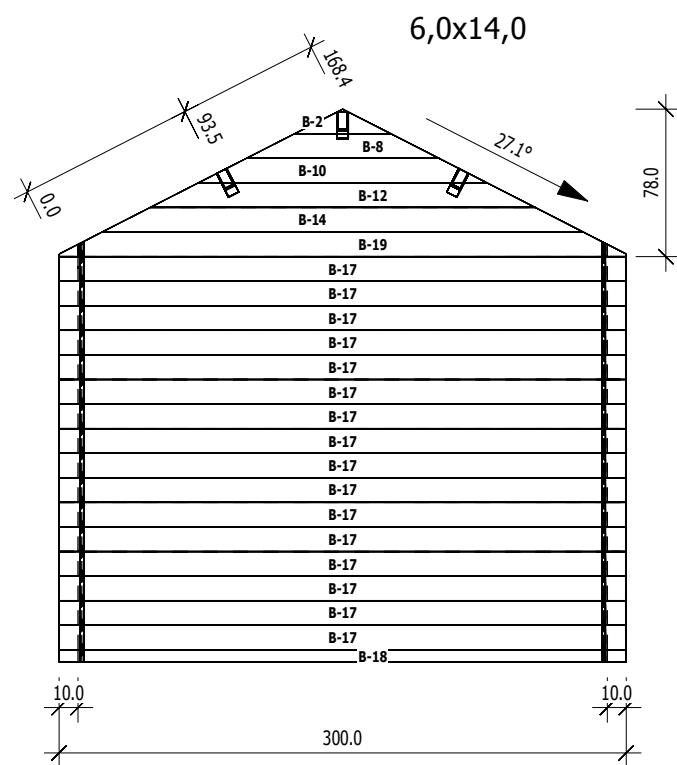
|   | Nr | H    | L     | Psc |
|---|----|------|-------|-----|
| A | 1  | 13.0 | 50.9  | 1   |
| A | 3  | 13.0 | 53.0  | 15  |
| A | 4  | 6.5  | 53.0  | 1   |
| A | 6  | 6.5  | 77.0  | 1   |
| A | 7  | 13.0 | 101.8 | 1   |
| A | 9  | 13.0 | 152.7 | 1   |
| A | 11 | 13.0 | 203.6 | 1   |
| A | 13 | 13.0 | 254.5 | 1   |
| A | 15 | 13.0 | 300.0 | 1   |
| A | 16 | 13.0 | 300.0 | 1   |

**C**  
M 1:40



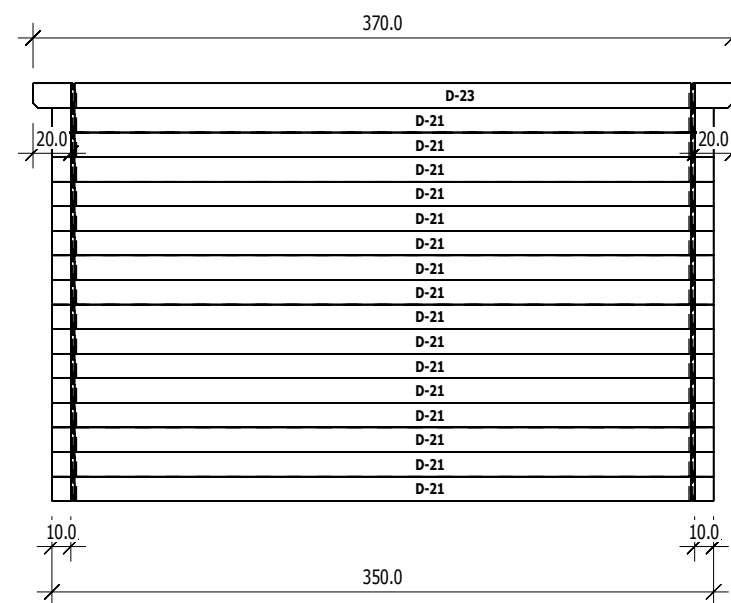
|   | Nr | H    | L     | Psc |
|---|----|------|-------|-----|
| C | 5  | 13.0 | 53.0  | 15  |
| C | 20 | 13.0 | 350.0 | 1   |
| C | 22 | 13.0 | 370.0 | 1   |

**B**  
M 1:40



|   | Nr | H    | L     | Psc |
|---|----|------|-------|-----|
| B | 2  | 13.0 | 50.9  | 1   |
| B | 8  | 13.0 | 101.8 | 1   |
| B | 10 | 13.0 | 152.7 | 1   |
| B | 12 | 13.0 | 203.6 | 1   |
| B | 14 | 13.0 | 254.5 | 1   |
| B | 17 | 13.0 | 300.0 | 16  |
| B | 18 | 6.5  | 300.0 | 1   |
| B | 19 | 13.0 | 300.0 | 1   |

**D**  
M 1:40



|   | Nr | H    | L     | Psc |
|---|----|------|-------|-----|
| D | 21 | 13.0 | 350.0 | 16  |
| D | 23 | 13.0 | 370.0 | 1   |