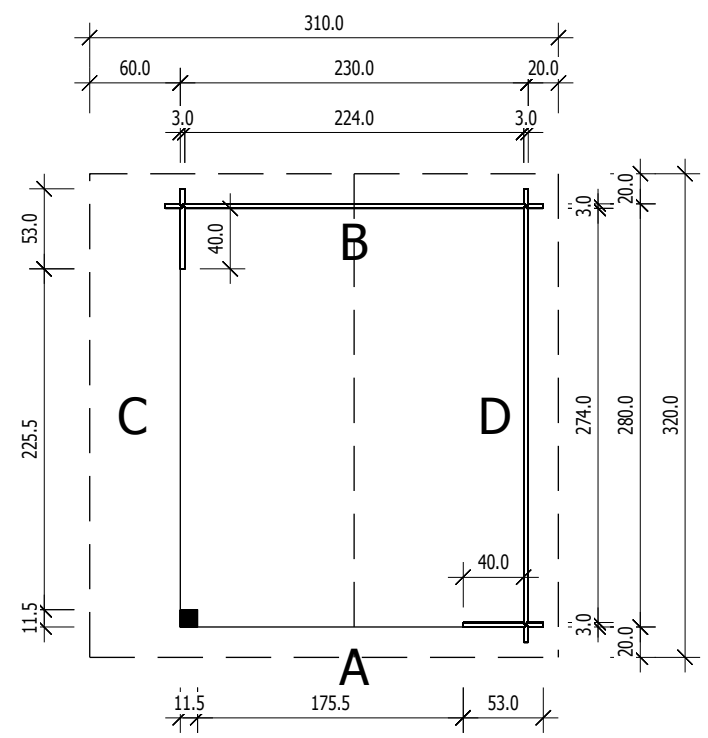


Bjorn-3025

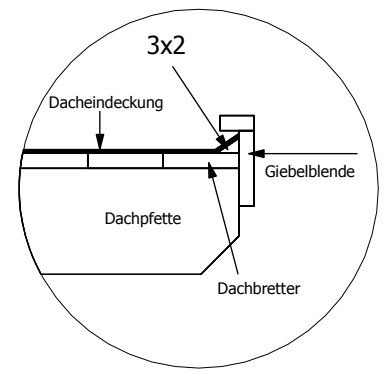
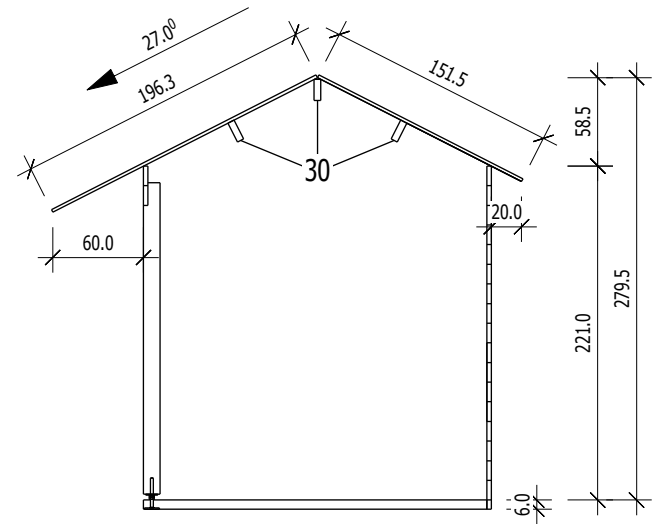


3,0

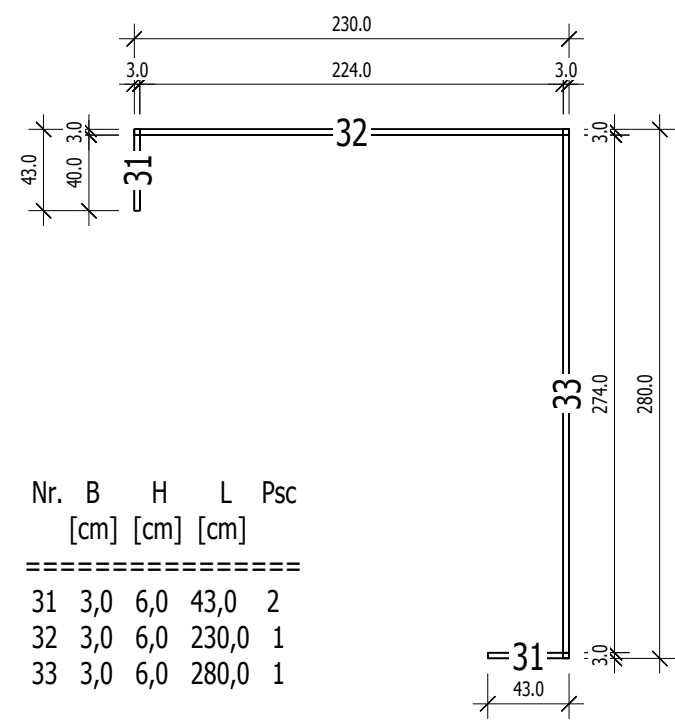
# Grundriss



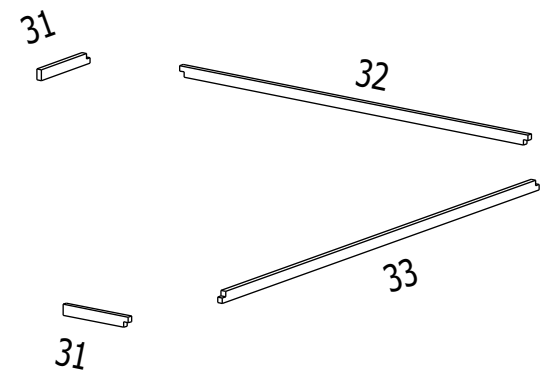
# Schnitt



# Grundrahmenplan

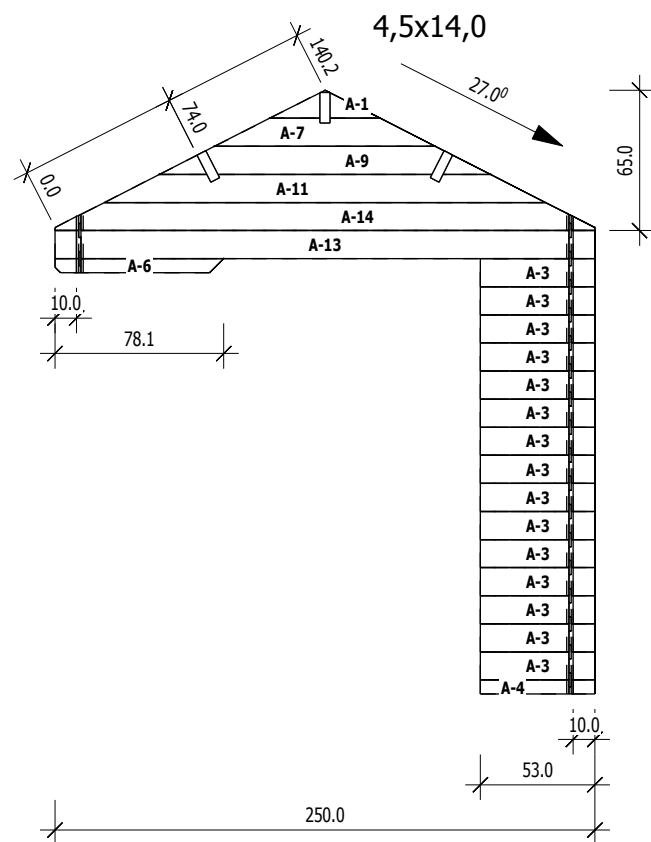


Nr.	B [cm]	H [cm]	L [cm]	Psc
31	3,0	6,0	43,0	2
32	3,0	6,0	230,0	1
33	3,0	6,0	280,0	1



**A**

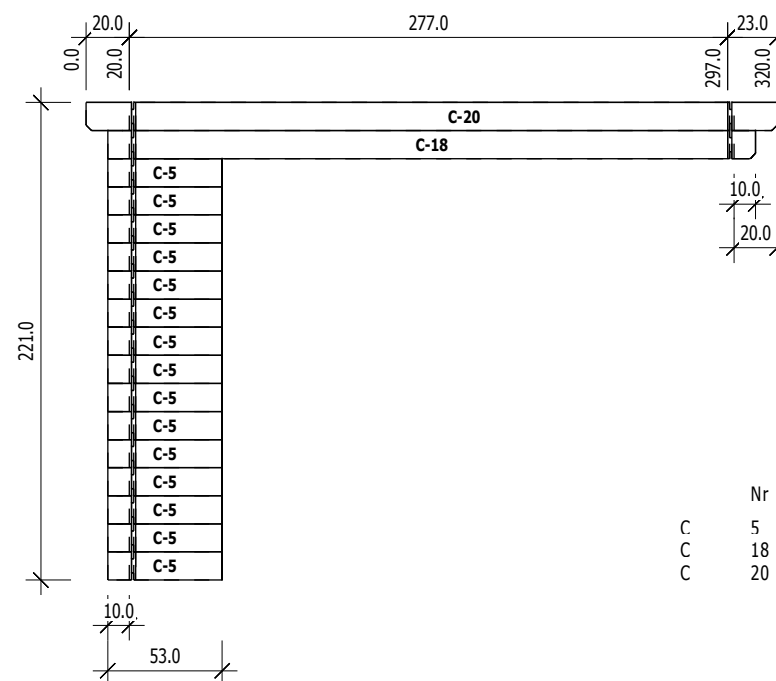
M 1:35



	Nr	H	L	Psc
A	1	13.0	51.1	1
A	3	13.0	53.0	15
A	4	6.5	53.0	1
A	6	6.5	78.1	1
A	7	13.0	102.2	1
A	9	13.0	153.3	1
A	11	13.0	204.4	1
A	13	13.0	250.0	1
A	14	13.0	250.0	1

**C**

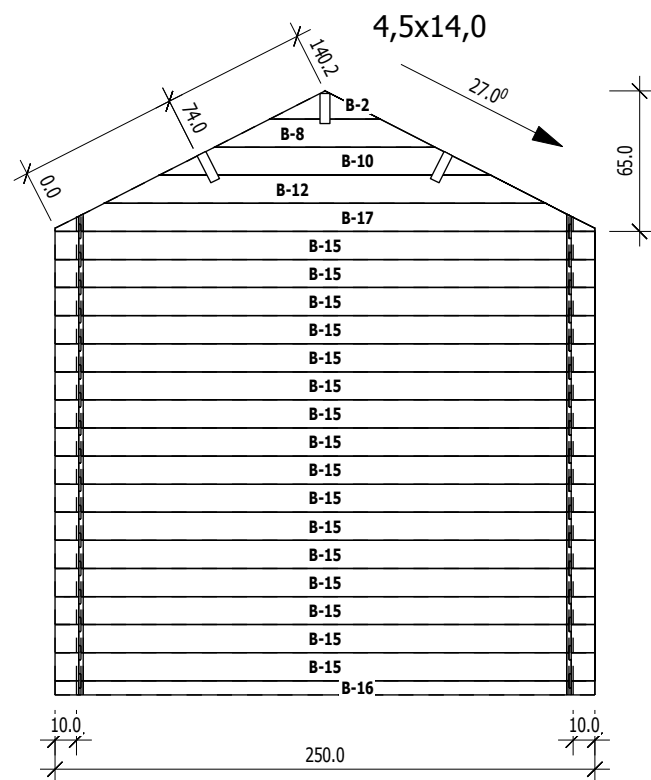
M 1:35



	Nr	H	L	Psc
C	5	13.0	53.0	15
C	18	13.0	300.0	1
C	20	13.0	320.0	1

**B**

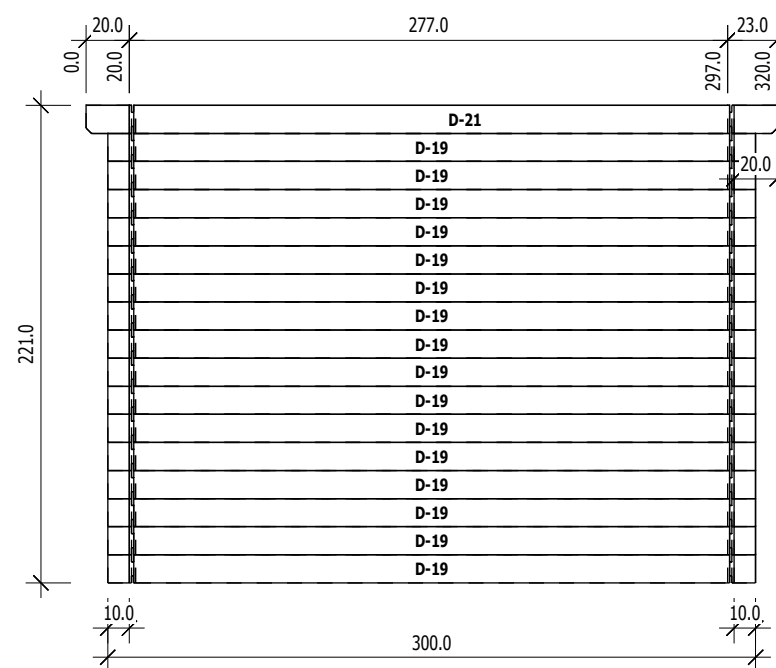
M 1:35



	Nr	H	L	Psc
B	2	13.0	51.1	1
B	8	13.0	102.2	1
B	10	13.0	153.3	1
B	12	13.0	204.4	1
B	15	13.0	250.0	16
B	16	6.5	250.0	1
B	17	13.0	250.0	1

**D**

M 1:35



	Nr	H	L	Psc
D	19	13.0	300.0	16
D	21	13.0	320.0	1