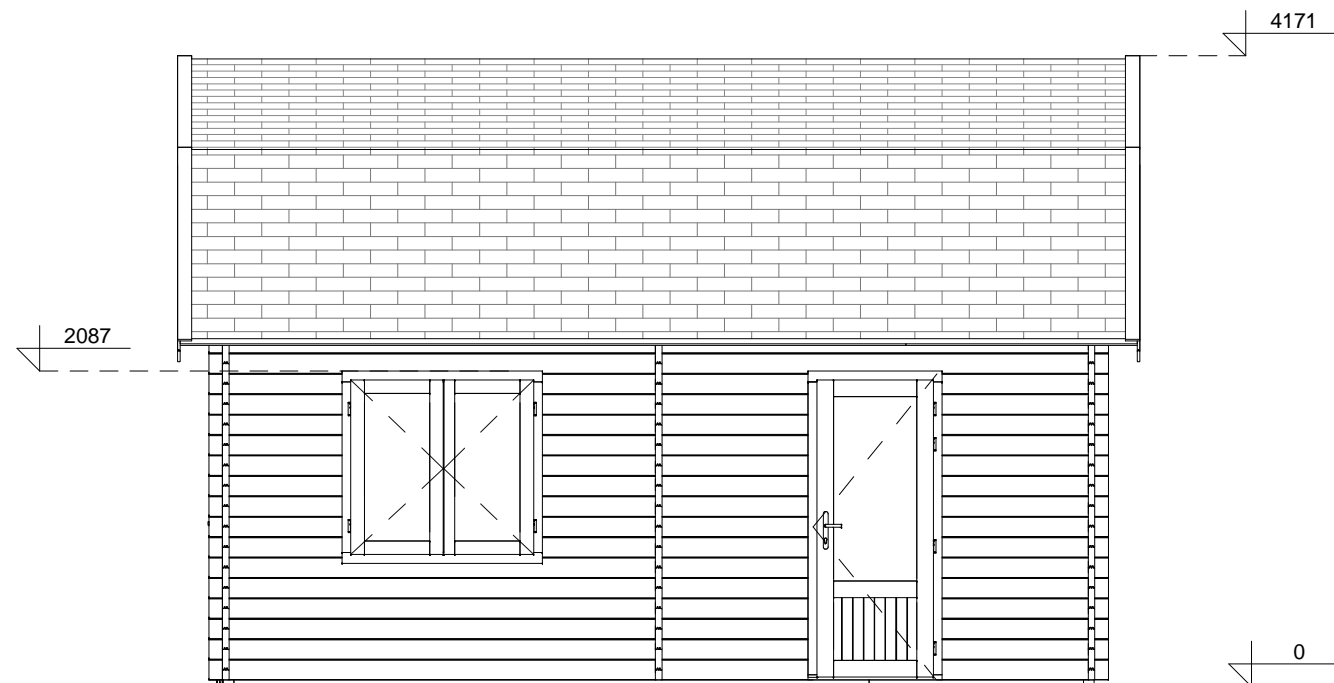
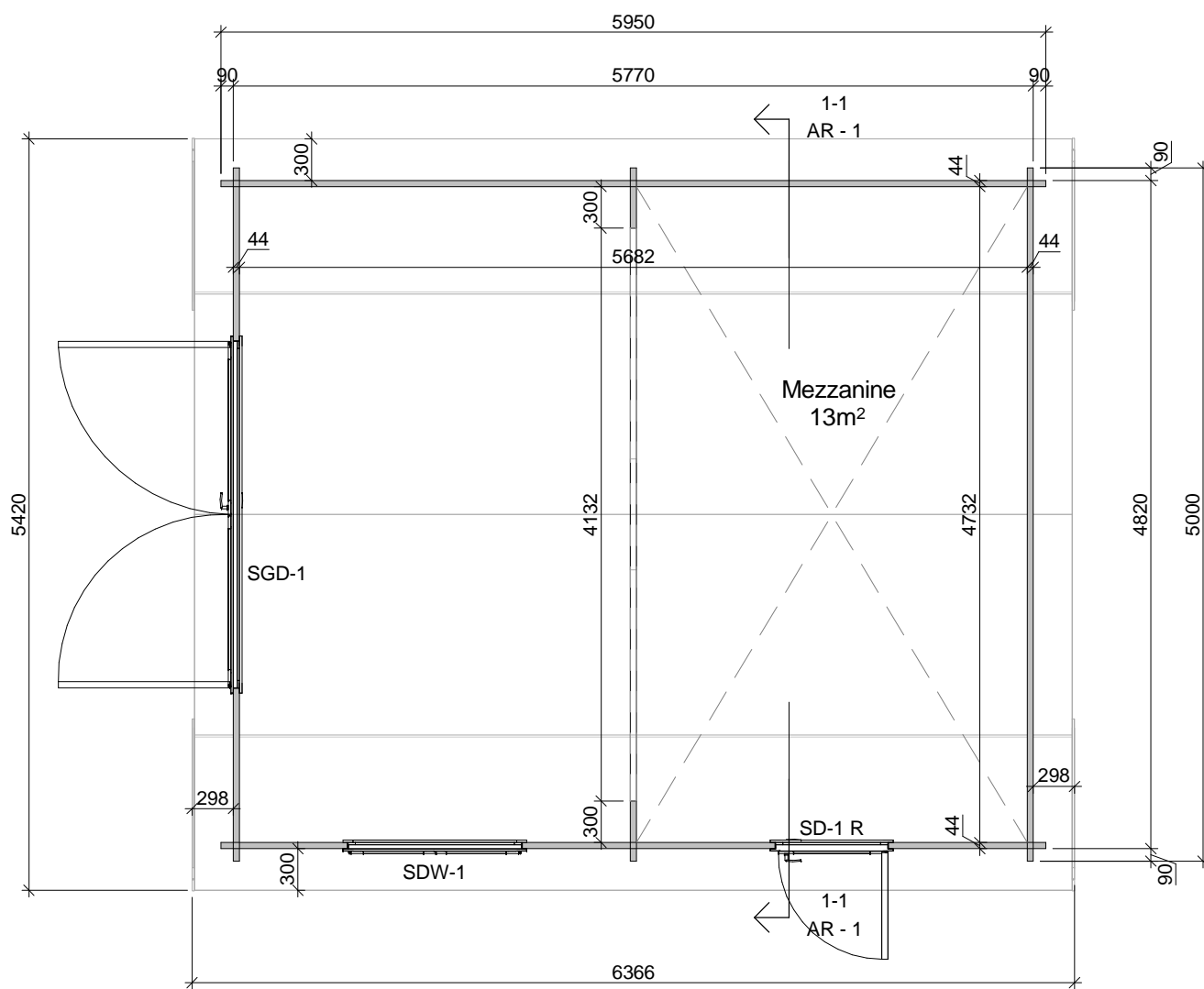
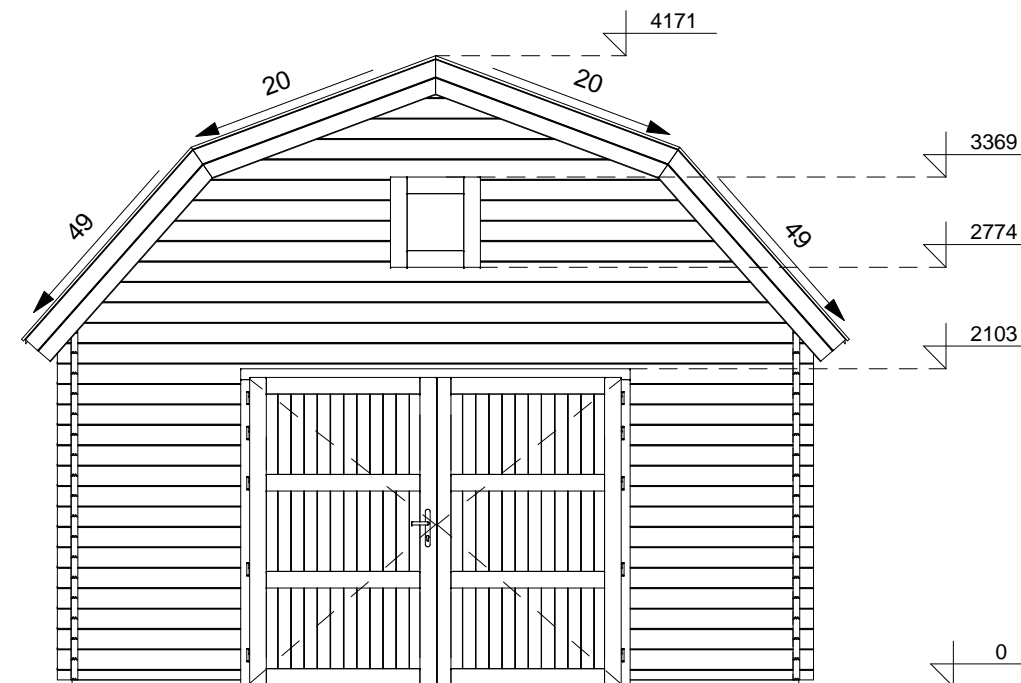


**FRONT VIEW**

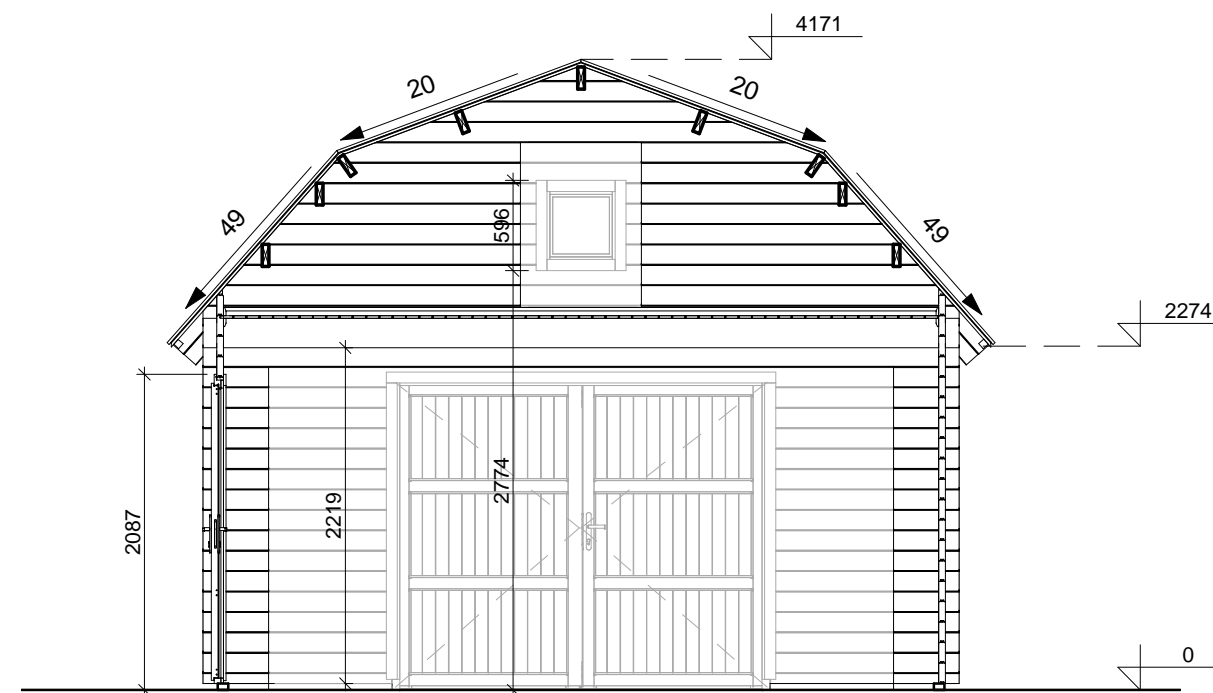


**LEFT SIDE VIEW**



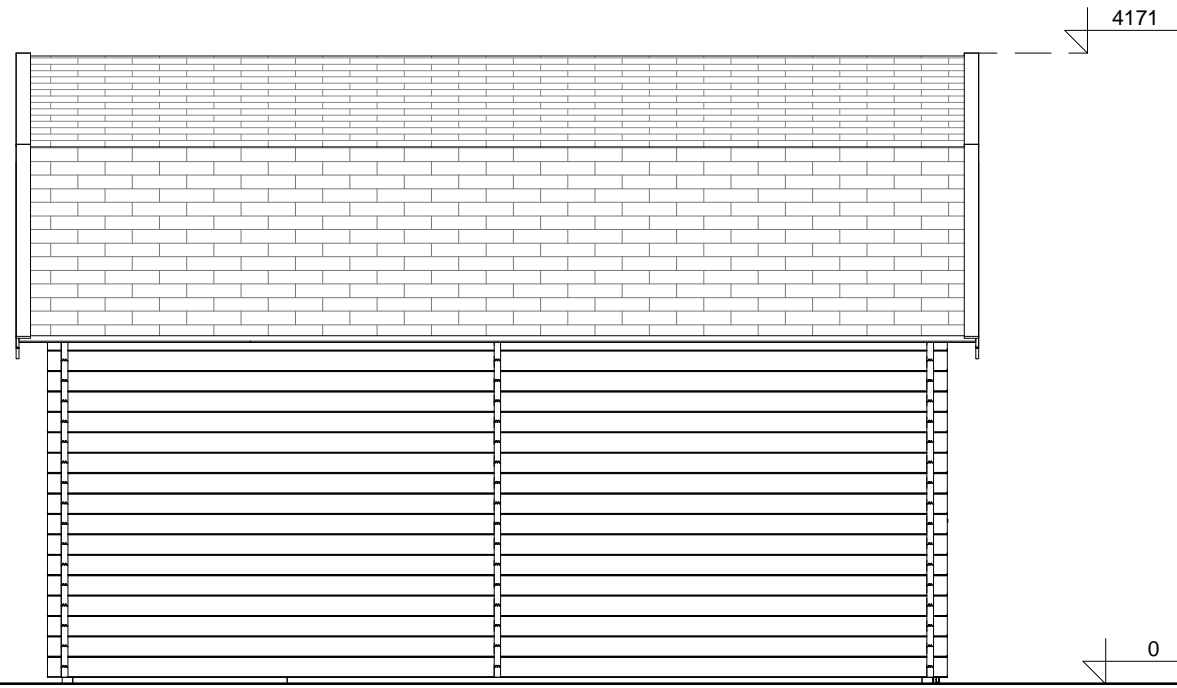
**FLOOR PLAN**

**SECTION 1-1**

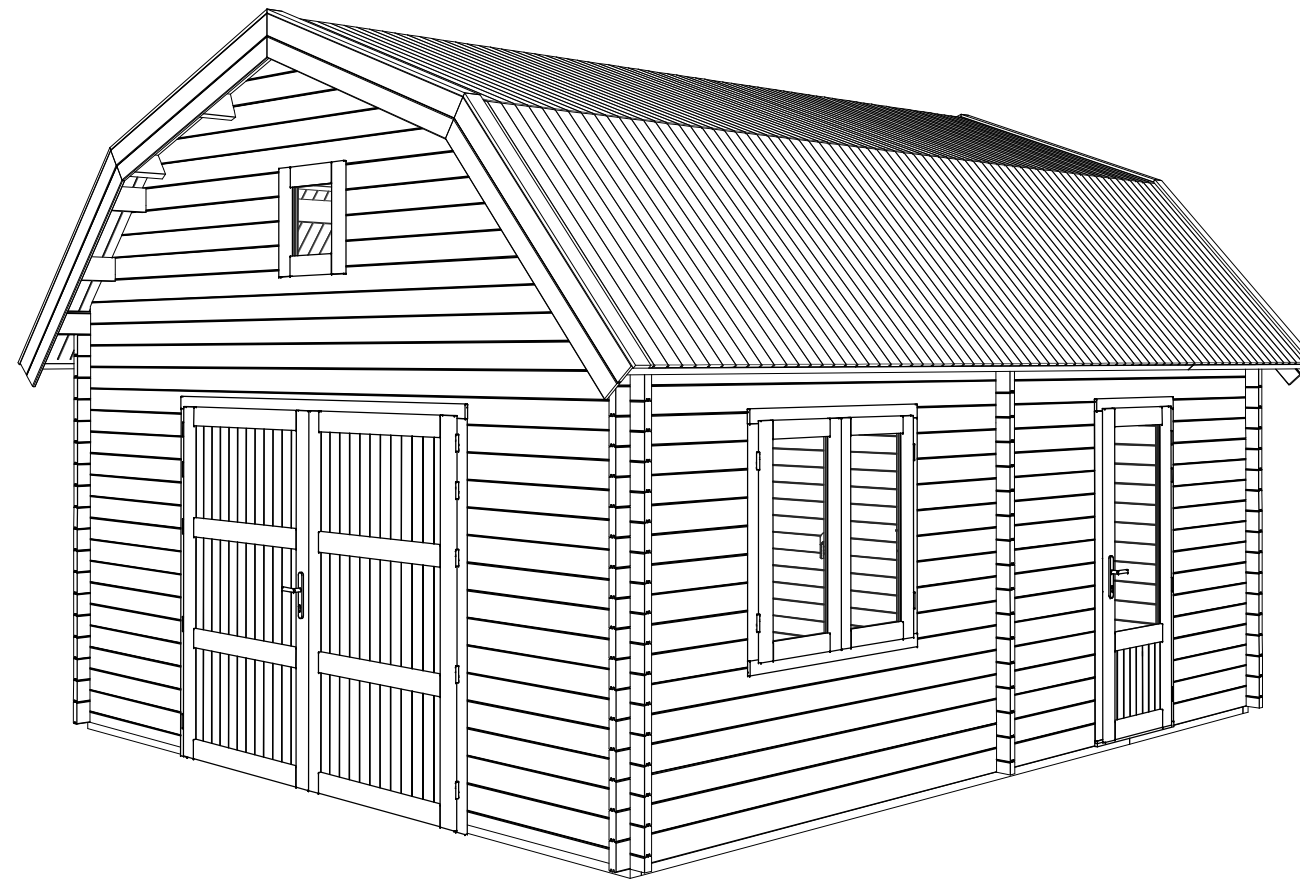
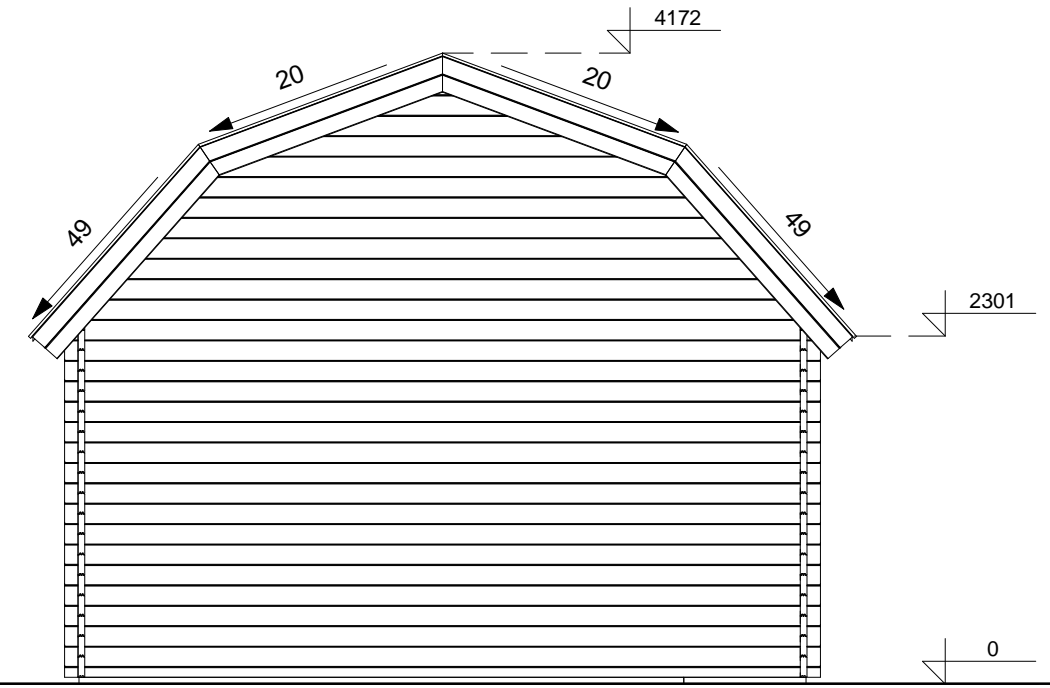


Project Nr. <b>HSG22 Log cabin Garage 500x595cm 44mm</b>			
Dealer	ARCHITECTURE DRAWINGS		Scale
Dealers references			1 : 50
	Drawer	Sheet Nr.	Date
	JZ	AR - 1	17.09.2021 14:32:53

**REAR VIEW**



**RIGHT SIDE VIEW**



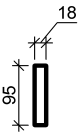
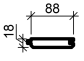
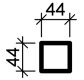
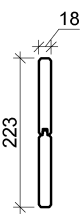
**3D VIEW**

**FLOOR SCHEDULE**

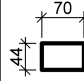
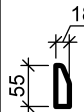
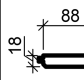
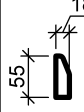
Description	Area
2. story floor 18mm	13 m <sup>2</sup>

Project Nr. <b>HSG22 Log cabin Garage 500x595cm 44mm</b>			
Dealer	ARCHITECTURE DRAWINGS		Scale
Dealers references			1 : 50
	Drawer	Sheet Nr.	Date
	JZ	AR - 2	17.09.2021 14:32:54

### ROOF PART SPECIFICATION

Type Image	Keynote	Description
	CB	Cover board
	RB 18x88	Roof board 18mm
	RS 44x44	Roof side board 44x44
	WB 18mm	Wind board 18mm

### FLOOR PART SPECIFICATION

Type Image	Keynote	Description
	BB 44x70	Base beam 44x70
	CS	Ceiling skirting
	FB	Floor board 18mm
	FS	Floor skirting

### DOOR SCHEDULE

Keynote	Count
SD-1 R	1
SGD-1	1
	2

### WINDOW SCHEDULE

Keynote	Count
SDW-1	1
SFW-2	1
	2

### ROOF SCHEDULE

Roof cover	Area
Shingles	43 m <sup>2</sup>

### FLOOR SCHEDULE

Description	Area
2. story floor 18mm	13 m <sup>2</sup>

Project Nr.

**HSG22 Log cabin Garage 500x595cm 44mm**

Dealer

ARCHITECTURE  
DRAWINGS

Scale

Dealers  
references

Drawer

Sheet Nr.

Date

JZ

AR - 3

17.09.2021  
14:35:56