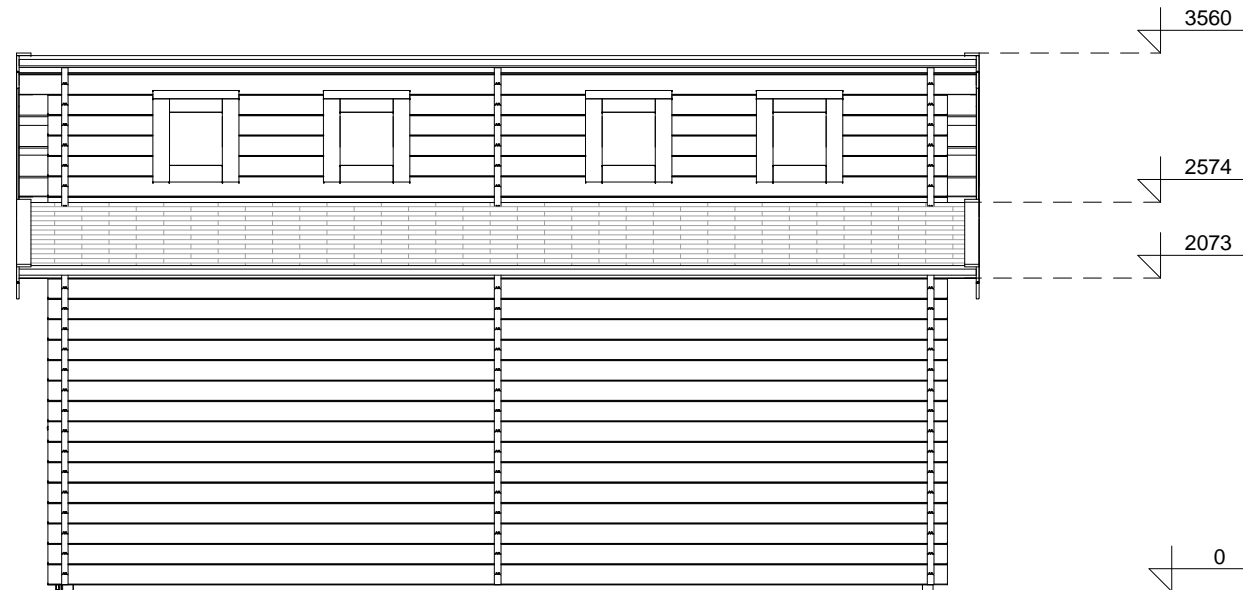
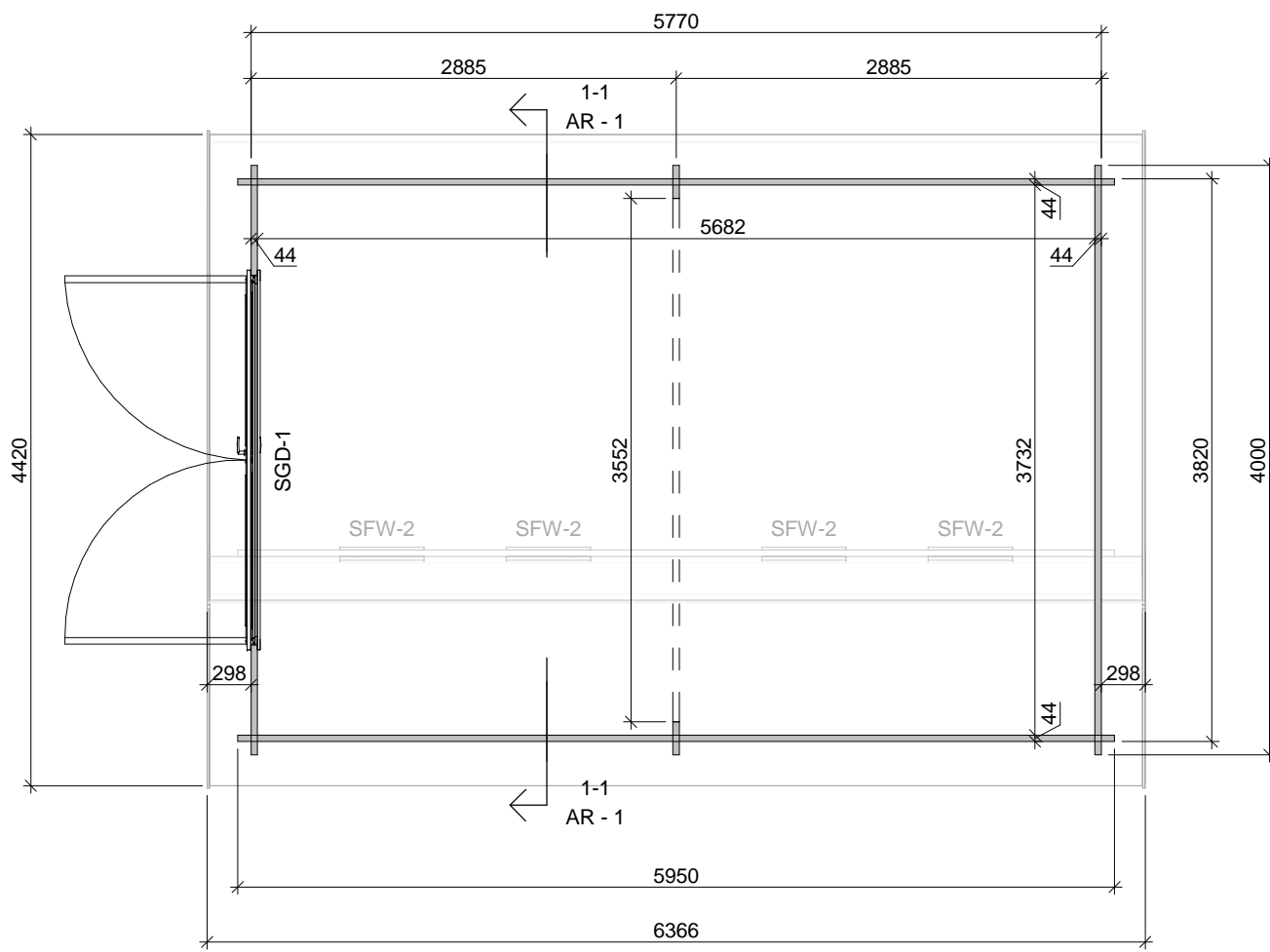
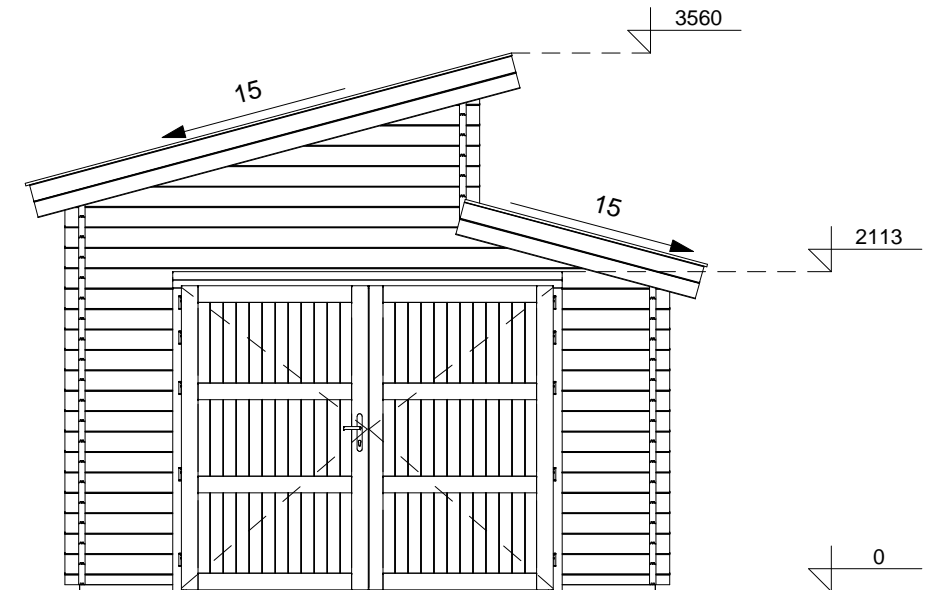


FRONT VIEW

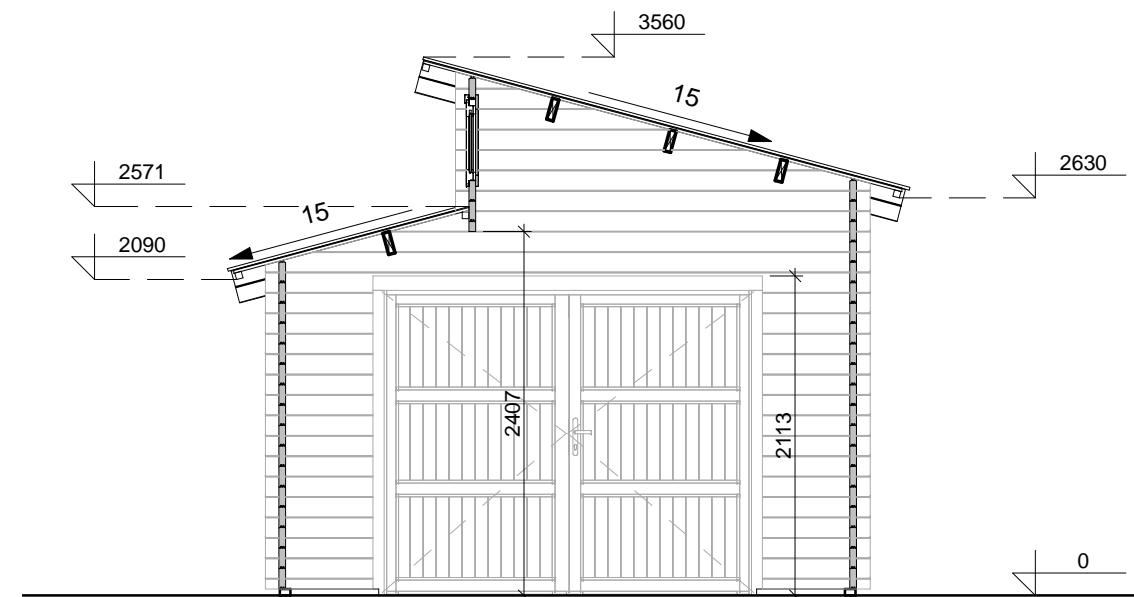


LEFT SIDE VIEW



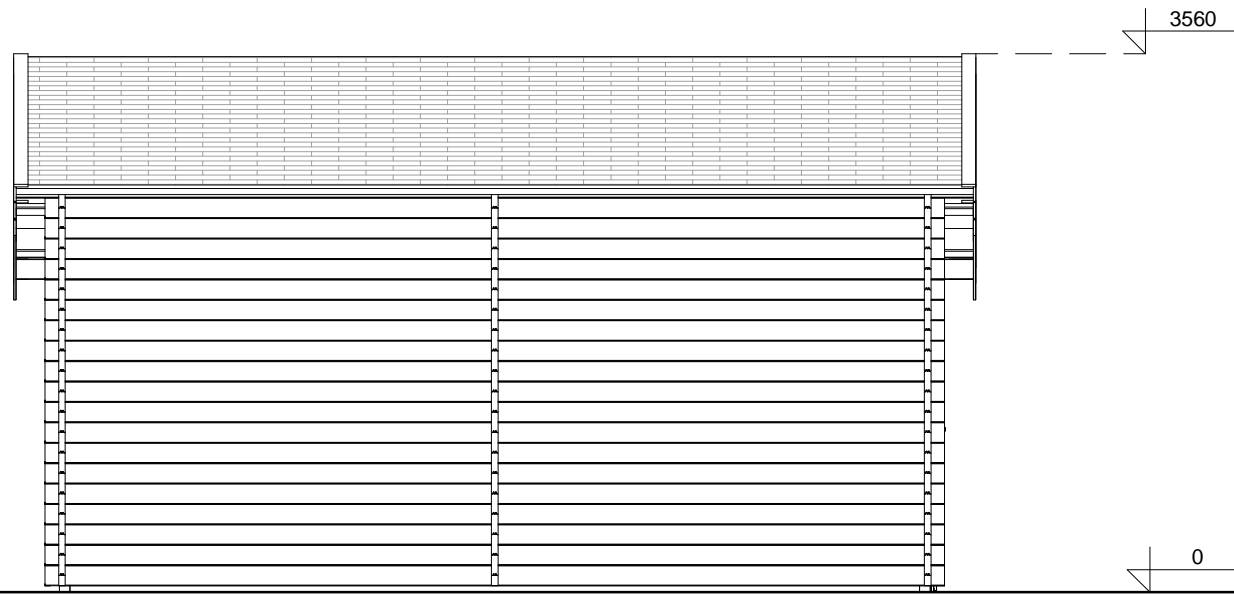
FLOOR PLAN

SECTION 1-1

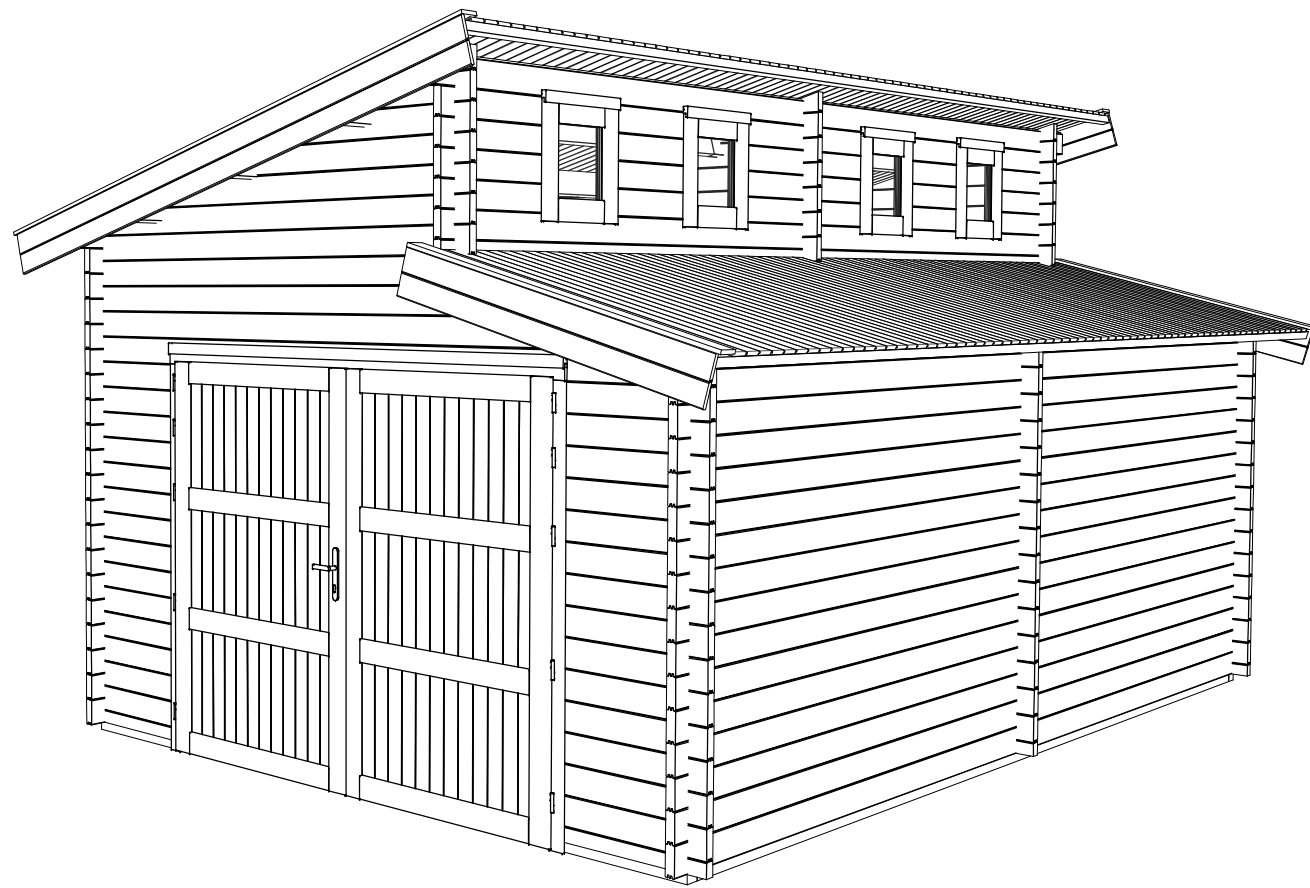
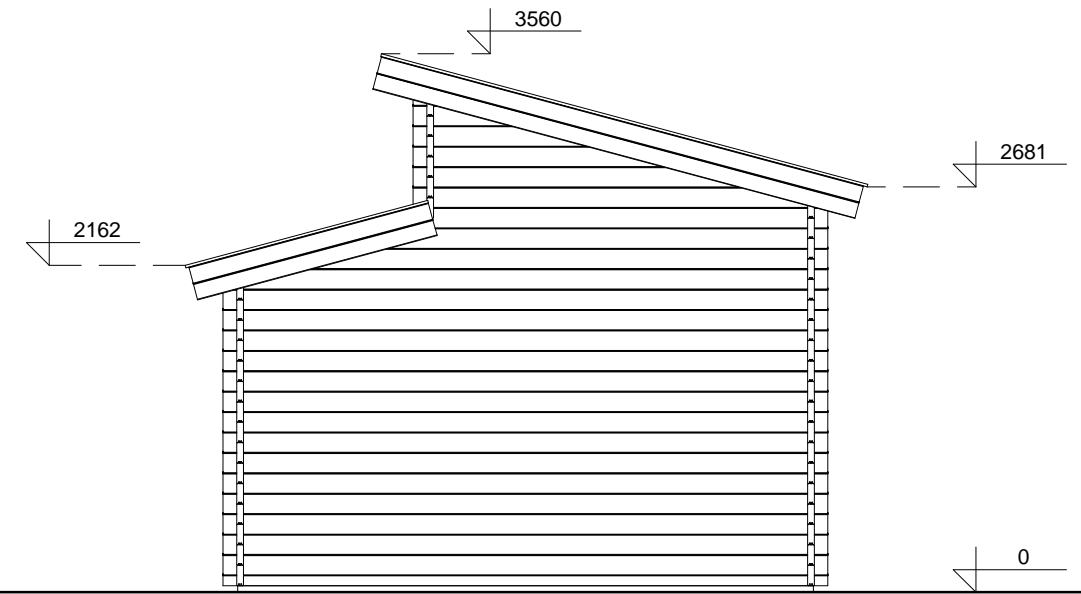


Project Nr.				
HSG10 Log cabin 400x595cm 44mm				
ARCHITECTURE DRAWINGS	Scale	Drawer	Sheet Nr.	Date
	1 : 50	JZ	AR - 1	09.09.2021 13:12:21

REAR VIEW



RIGHT SIDE VIEW



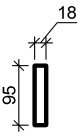
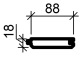
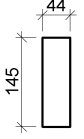
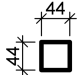
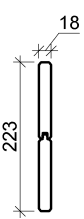
3D VIEW

FLOOR SCHEDULE

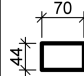
Description	Area
-------------	------

Project Nr. HSG10 Log cabin 400x595cm 44mm				
ARCHITECTURE DRAWINGS	Scale	Drawer	Sheet Nr.	Date
	1 : 50	JZ	AR - 2	09.09.2021 13:12:22

ROOF PART SPECIFICATION

Type Image	Keynote	Description
	CB 18x95	Cover board
	RB 18x88	Roof board 18mm
	RJ 44x145	Roof joist 44x145
	RS 44x44	Roof side board 44x44
	WB 18mm	Wind board 18mm

FLOOR PART SPECIFICATION

Type Image	Keynote	Description
	BB 44x70	Base beam 44x70

DOOR SCHEDULE

Keynote	Count
SGD-1	1
	1

WINDOW SCHEDULE

Keynote	Count
SFW-2	4
	4

ROOF SCHEDULE

Roof cover	Area
Apex	

FLOOR SCHEDULE

Description	Area
-------------	------

Project Nr.

HSG10 Log cabin 400x595cm 44mm

ARCHITECTURE
DRAWINGS

Scale

Drawer

Sheet Nr.

Date

JZ

AR - 3

09.09.2021
13:12:41