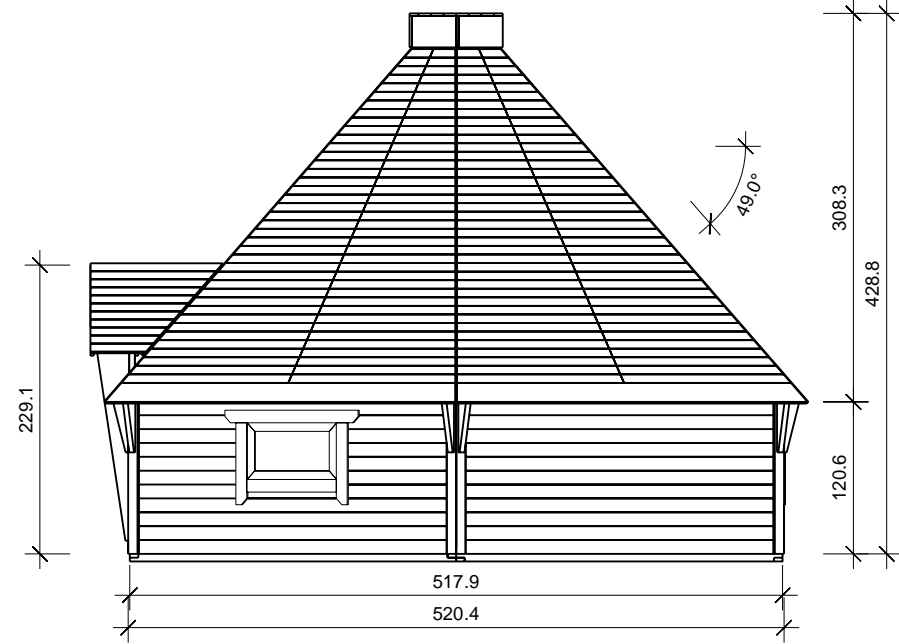
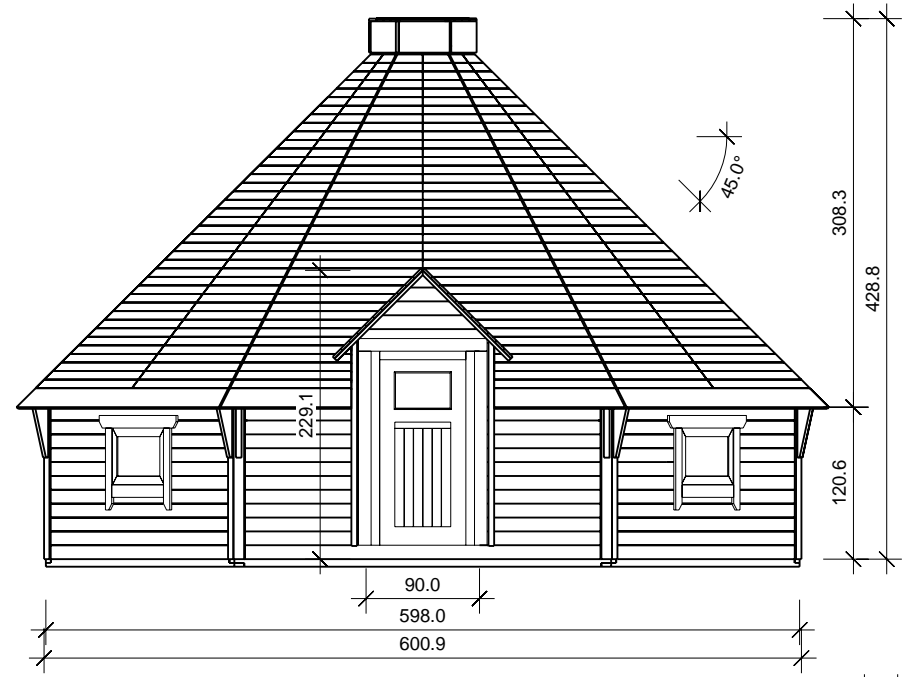
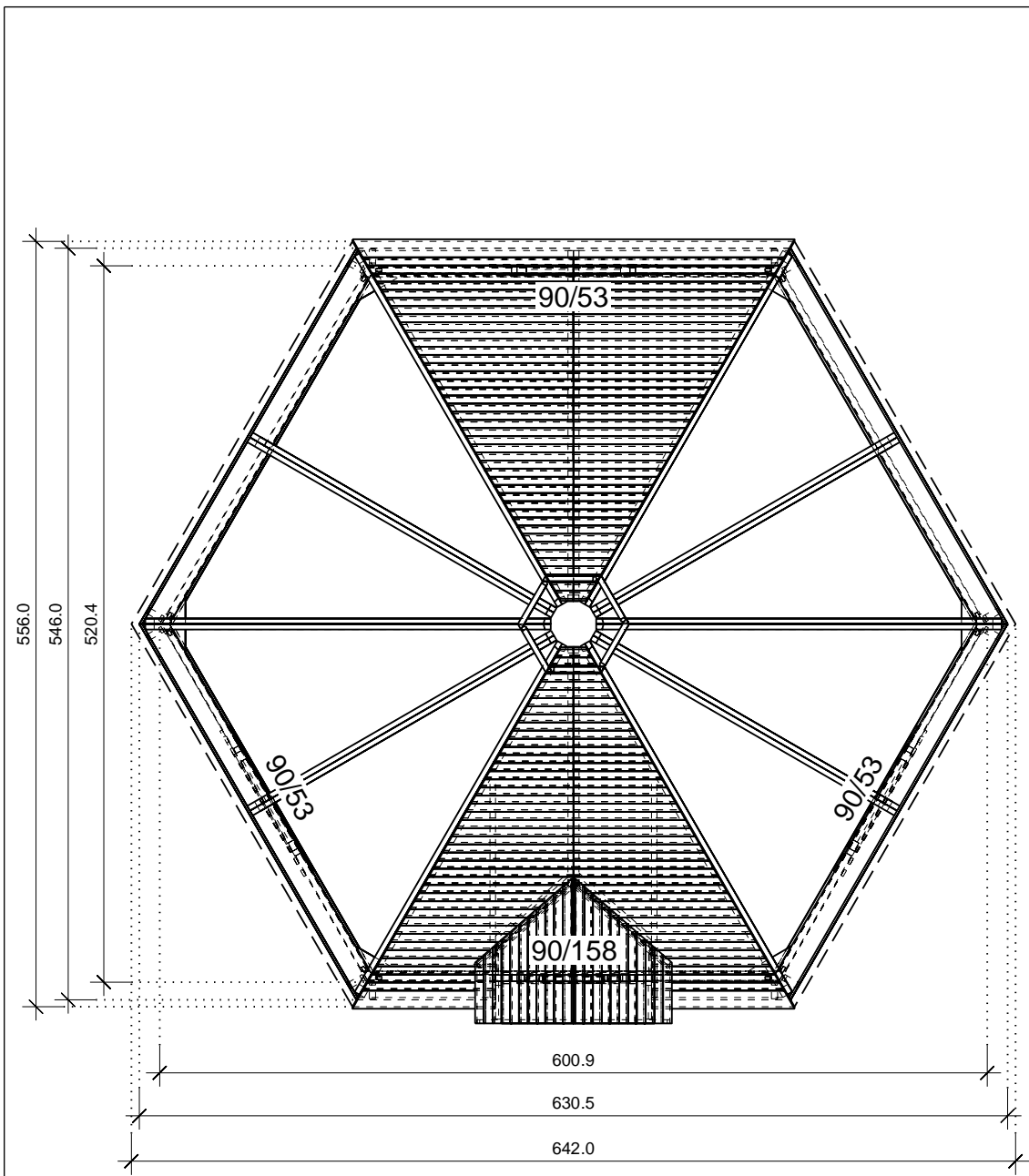
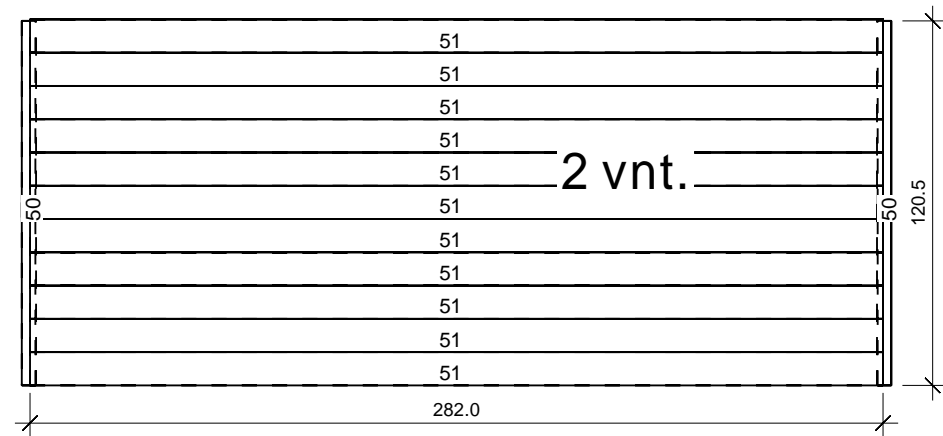
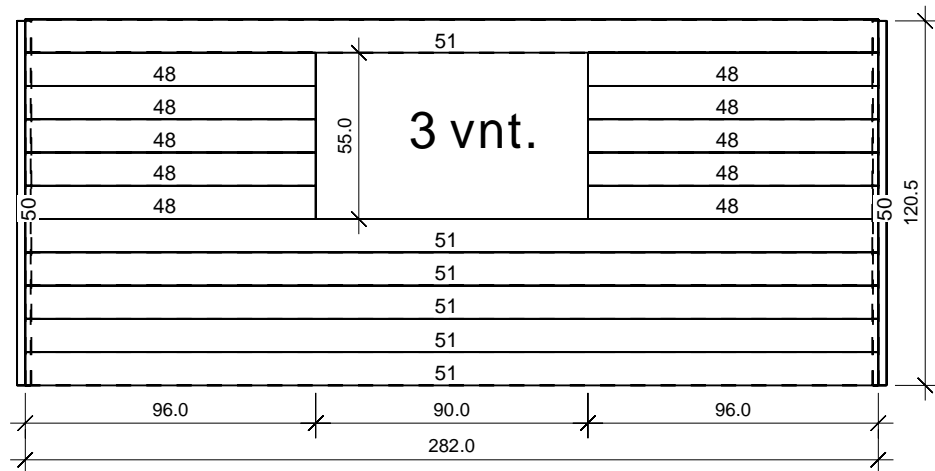
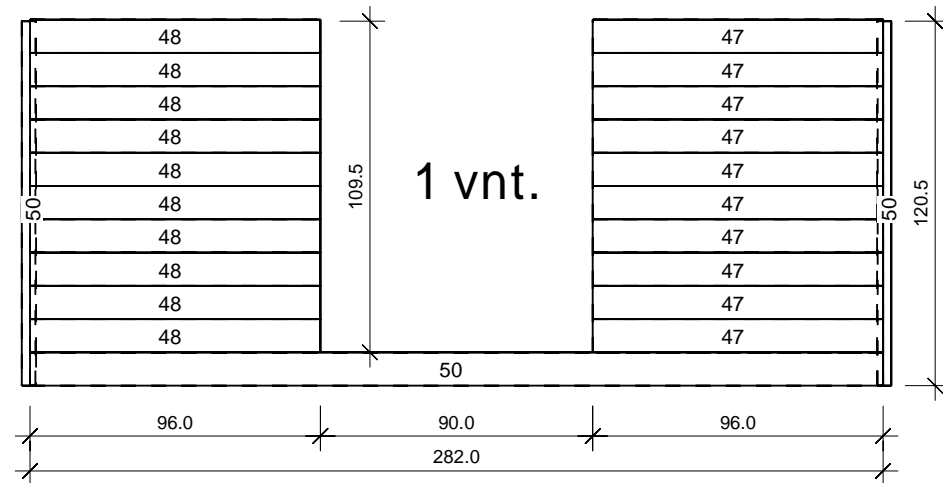
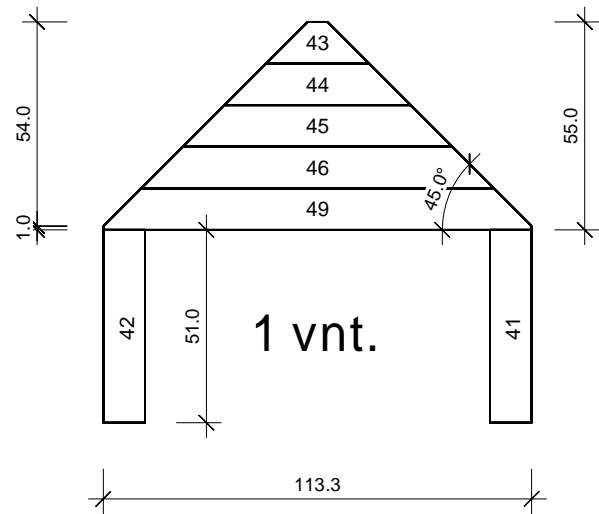


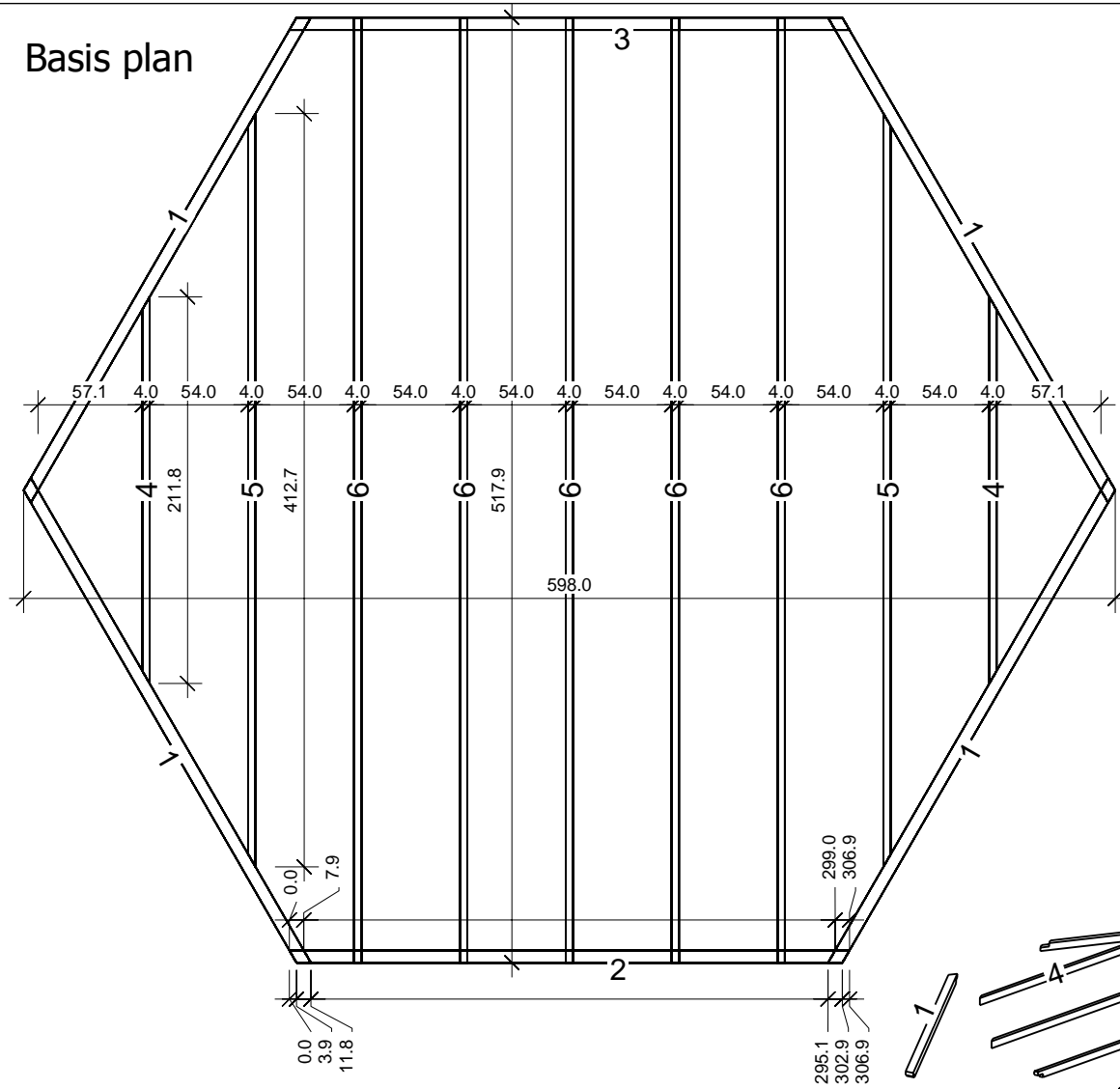


Notice: view of doors, windows and other details could be different in reality instead of view on this brochure

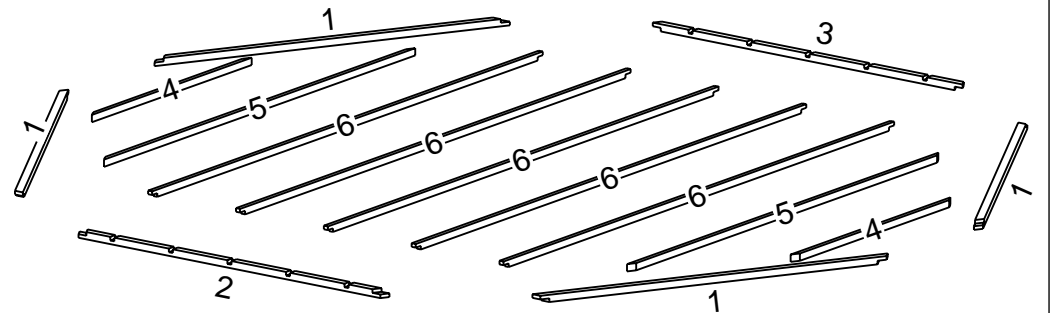
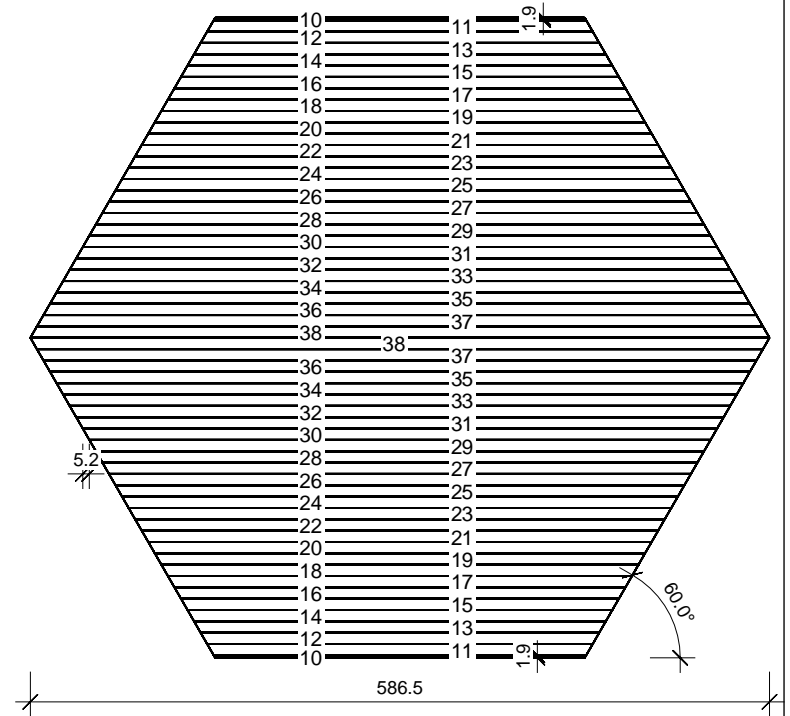




# Basis plan



# Flooring



Nr.	B	H	L	Psc
	[cm]	[cm]	[cm]	

1	6,8	6,0	306,9	4
2	6,8	6,0	306,9	1
3	6,8	6,0	306,9	1
4	4,0	6,0	211,8	2
5	4,0	6,0	412,7	2
6	4,0	6,0	517,9	5

