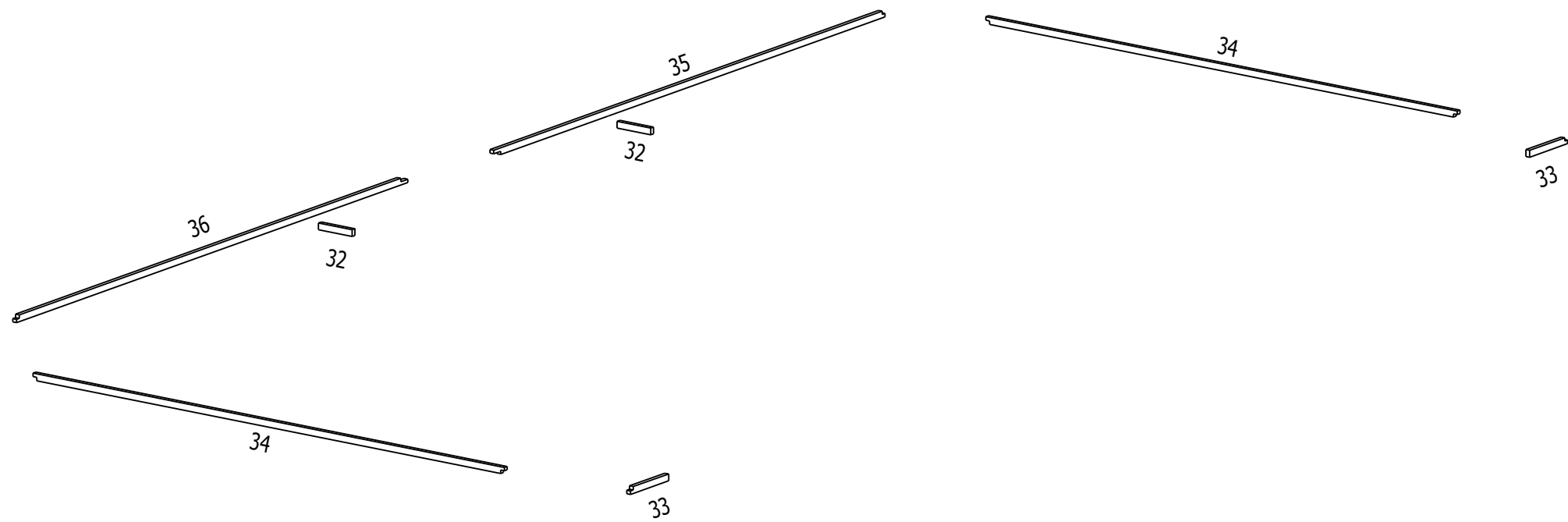
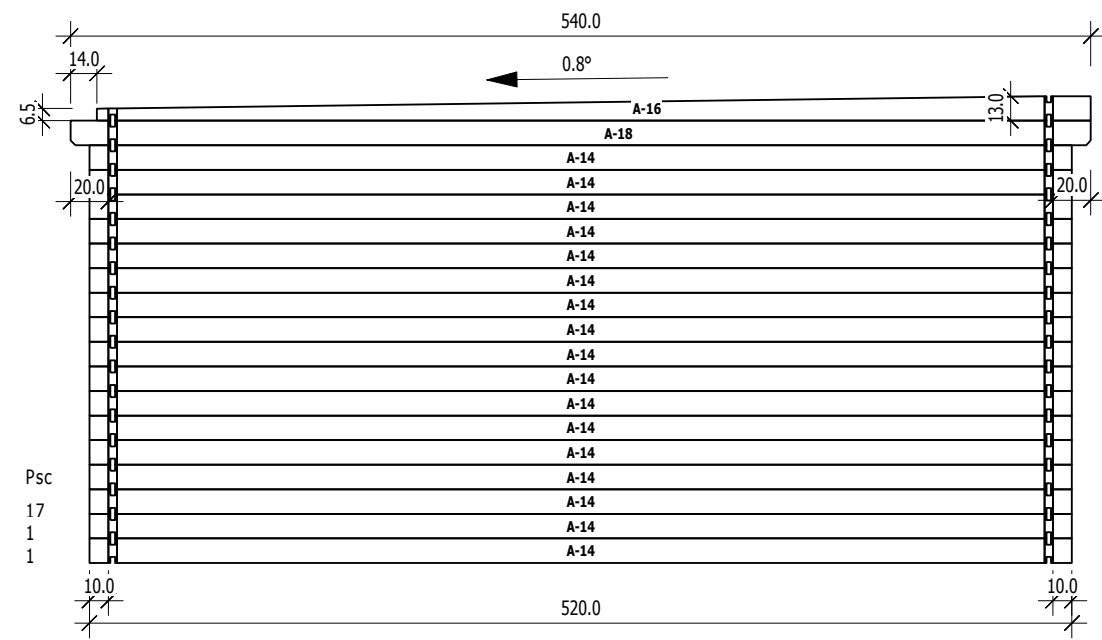


Grundrahmenplan

Nr.	B	H	L	Psc
	[cm]	[cm]	[cm]	
32	4,0	6,0	35,5	2
33	4,0	6,0	54,0	2
34	4,0	6,0	499,0	2
35	4,0	6,0	554,5	1
36	4,0	6,0	554,5	1

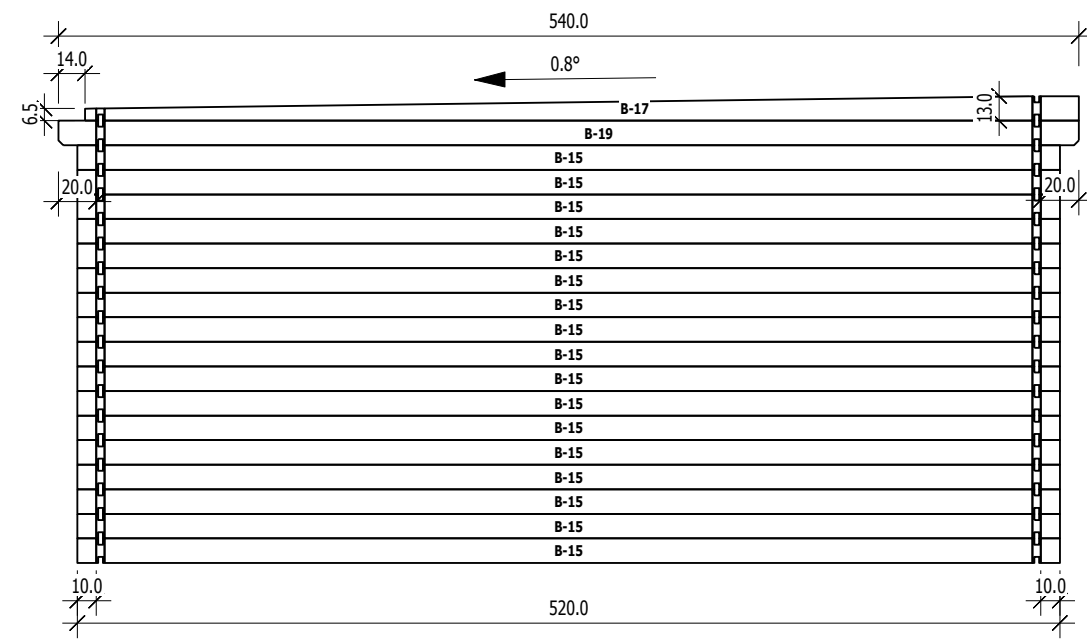


A
M 1:40



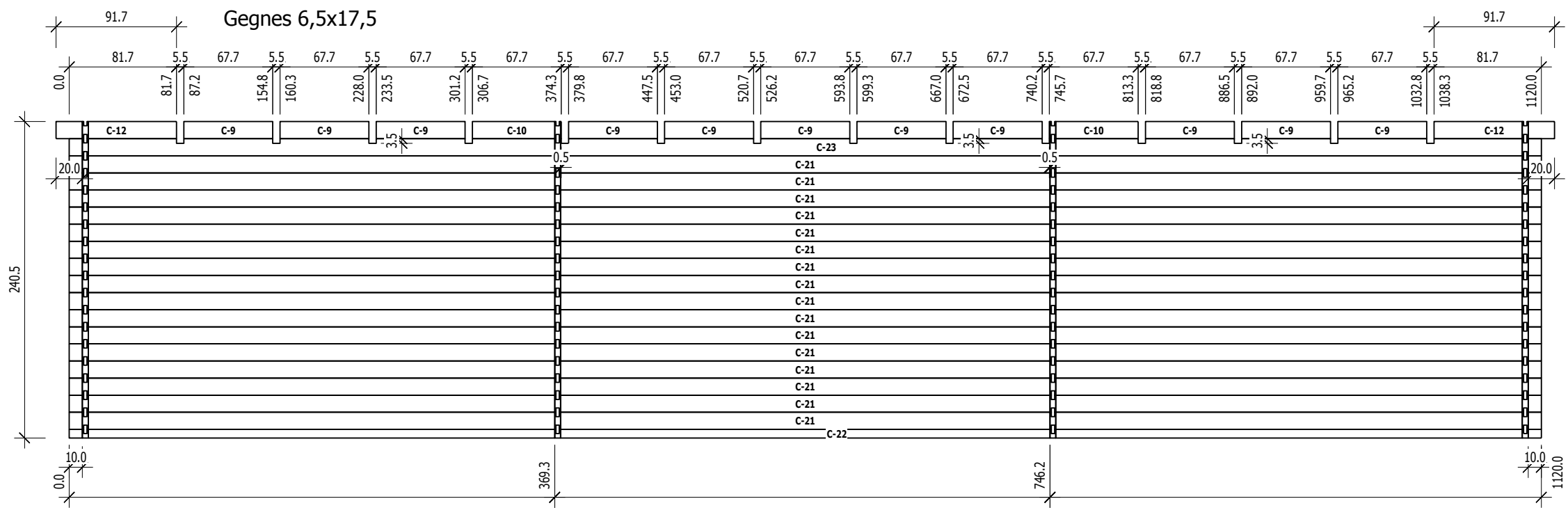
Nr	H	L	Psc
A 14	13.0	520.0	17
A 16	13.0	526.0	1
A 18	13.0	540.0	1

B
M 1:40



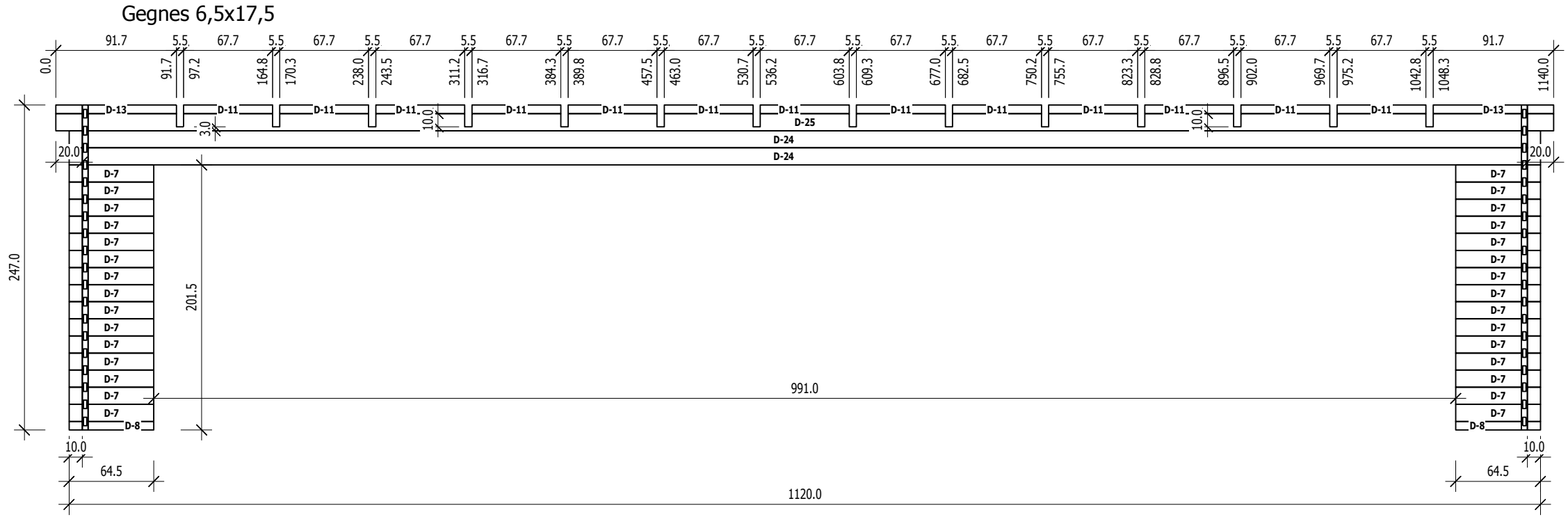
Nr	H	L	Psc
B 15	13.0	520.0	17
B 17	13.0	526.0	1
B 19	13.0	540.0	1

C
M 1:40

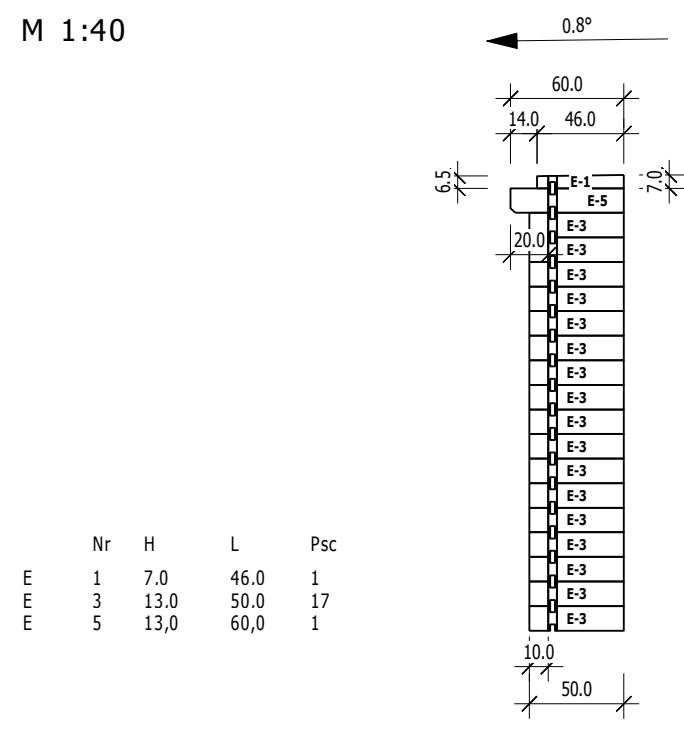


Nr	H	L	Psc
C 9	13.0	67.7	11
C 10	13.0	67.7	2
C 12	13.0	91.7	2
C 21	13.0	1120.0	16
C 22	6.5	1120.0	1
C 23	13.0	1120.0	1

D
M 1:40



E
M 1:40



F
M 1:40

